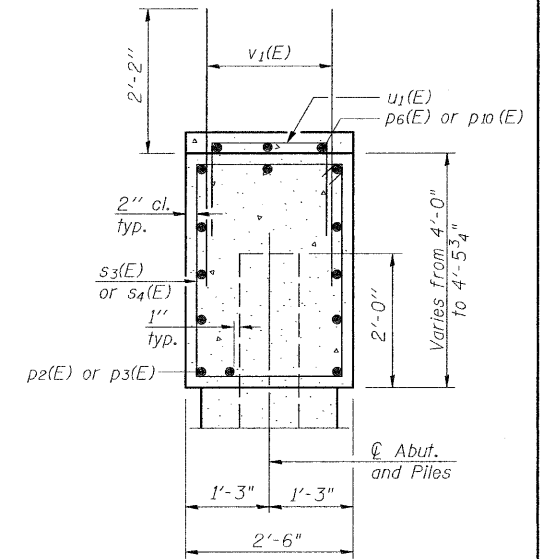
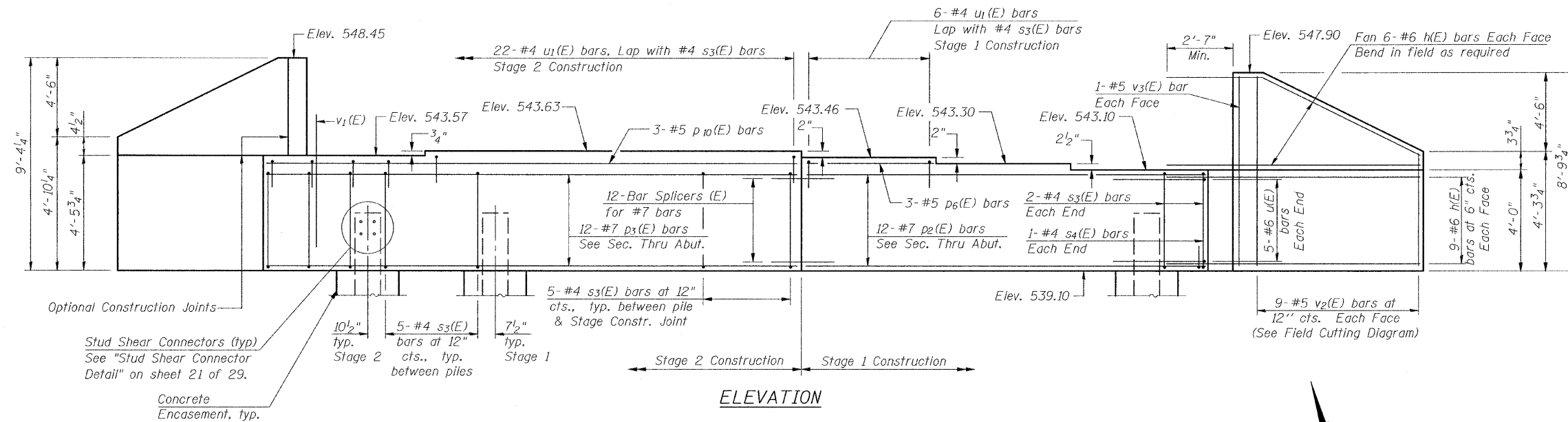


Notes:  
Pour steps monolithically with cap.

STATE OF ILLINOIS  
DEPARTMENT OF TRANSPORTATION



SEC. THRU ABUT.

BILL OF MATERIAL

Bar	No.	Size	Length	Shape
h(E)	60	#6	12'-6"	
p2(E)	12	#7	17'-7"	
p3(E)	12	#7	24'-3"	
p6(E)	3	#5	5'-8"	
p10(E)	3	#5	24'-9"	
s3(E)	39	#4	12'-5"	
s4(E)	2	#4	12'-11"	
u(E)	10	#6	10'-8"	
u1(E)	28	#4	8'-2"	
v1(E)	56	#5	4'-4"	
v2(E)	18	#5	13'-6"	
v3(E)	4	#5	9'-0"	
Structure Excavation		Cu. Yd.	243.0	
Concrete Structures		Cu. Yd.	23.0	
Reinforcement Bars, Epoxy Coated		Pound	3450	
Furnishing Steel Piles, HP 10x42		Foot	217	
Driving Piles		Foot	217	
Test Pile, Steel HP 10x42		Each	1	
Concrete Encasement		Cu. Yd.	2.8	
Bar Splicers		Each	12	
Stud Shear Connectors		Each	64	

For details of Bar Splicers, see sheet 26 of 29.  
For details of piles and Concrete Encasement, see sheet 25 of 29.

EAST ABUTMENT  
STRUCTURE NO. 012-0073

PILE DATA

Type: HP 10x42  
Nominal Required Bearing: 335 k  
Factored Resistance Available: 167 k  
Est. Length: 31'  
No. Production Piles: 7  
No. Test Piles: 1

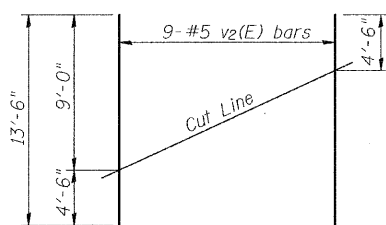
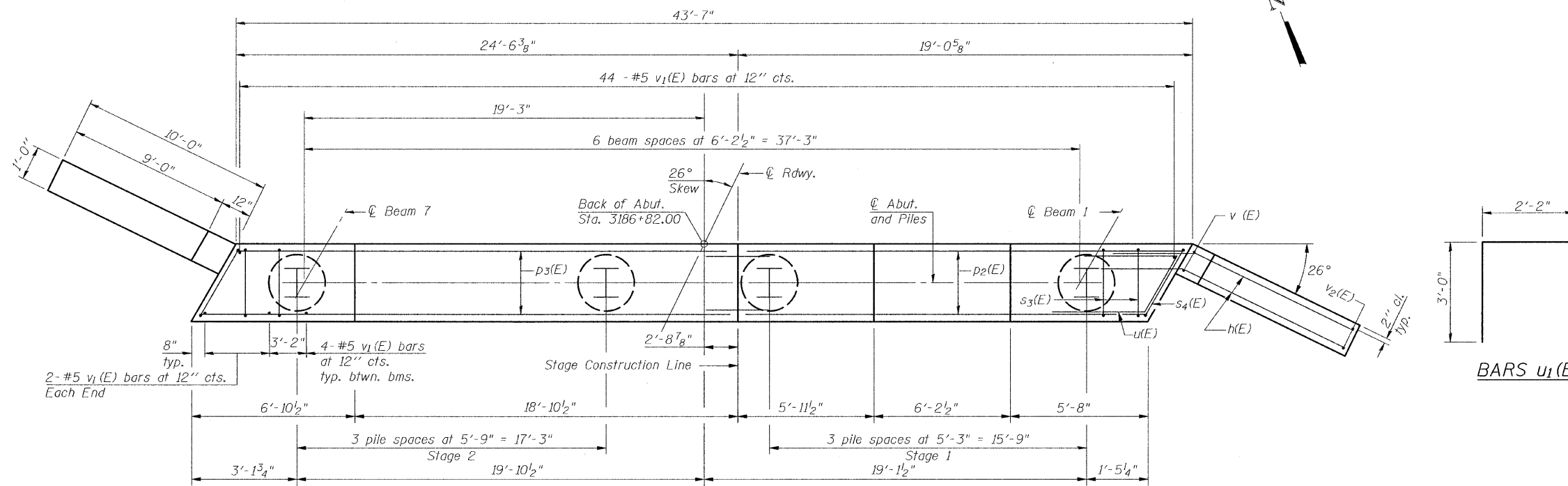
DESIGNED	SCD
CHECKED	DRB
DRAWN	THW
CHECKED	SCD



IE CONSULTANTS, INC  
6420 SOUTH SIXTH STREET  
SPRINGFIELD, ILLINOIS 62712  
TEL. (217) 529-8027  
FAX (217) 529-4543  
IESPRINGFIELD@IE-CONSULTANTS.COM  
WWW.IE-CONSULTANTS.COM

AI-R 10-1-08

PLAN



FIELD CUTTING DIAGRAM

Order v2(E) full length. Cut as shown and use remainder of bars in opposite face.

BARS s3(E) & s4(E)

BAR u(E)

BAR h(E)

SHEET NO. 22 OF 29 SHEETS	F.A.S. RTE.	SECTION	COUNTY	TOTAL SHEETS	SHEET NO.
	1707	(BX-B)B-1	CLARK	44	31
CONTRACT NO. 74169			FED. ROAD DIST. NO. ILLINOIS FED. AID PROJECT		