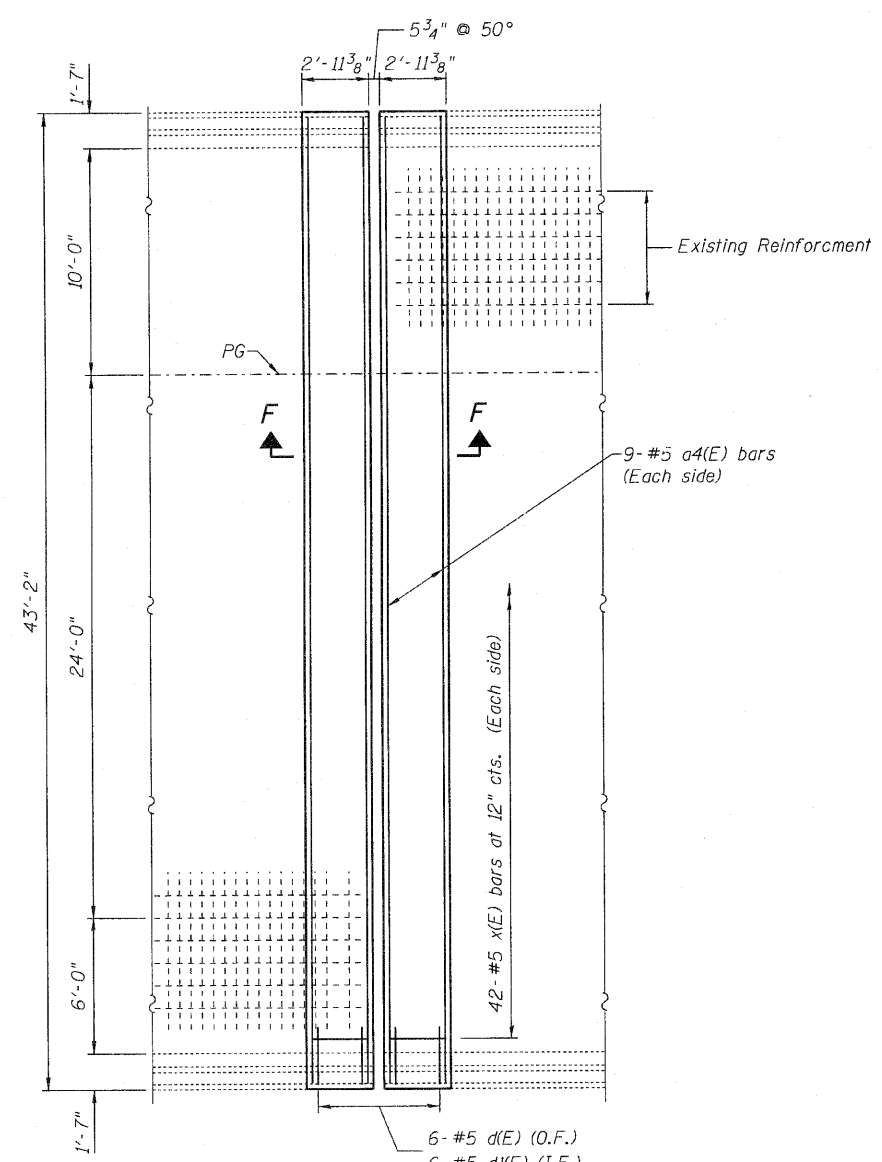
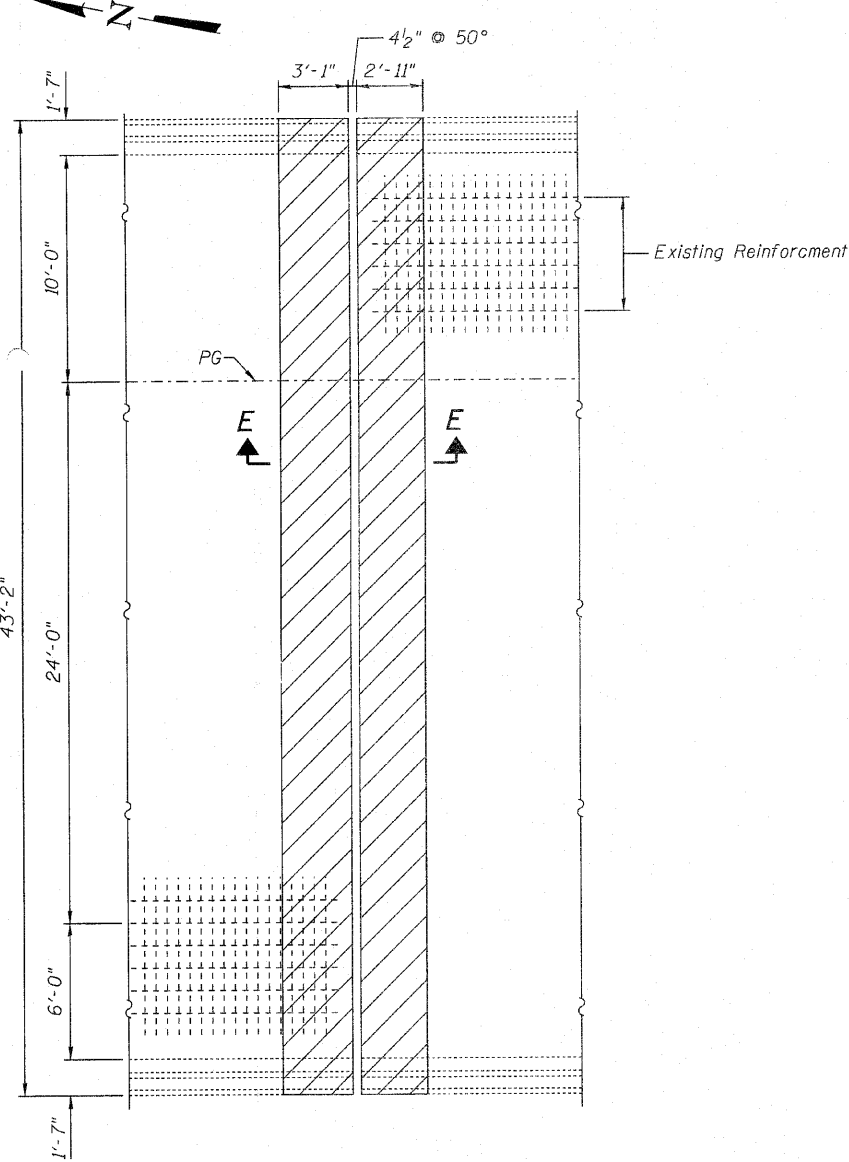
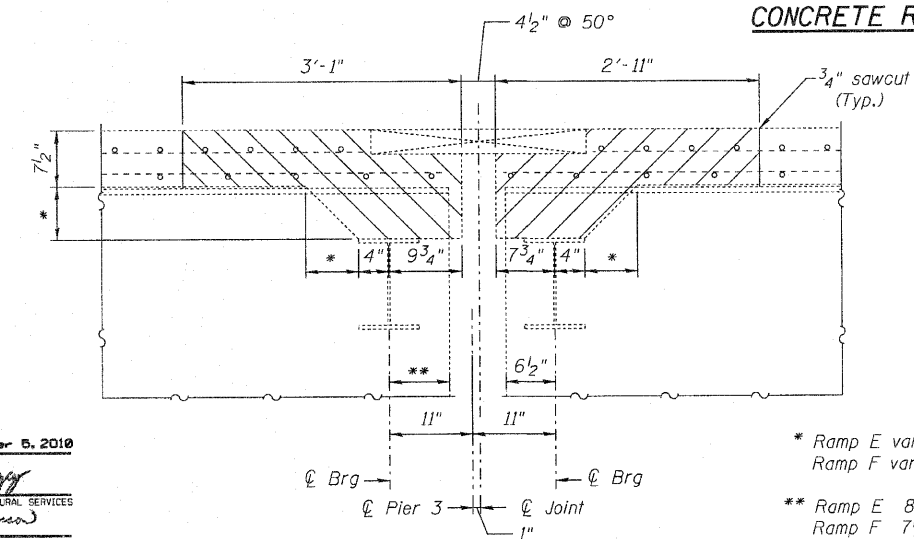


STATE OF ILLINOIS
DEPARTMENT OF TRANSPORTATION



CONCRETE REMOVAL

CONCRETE REPLACEMENT



* Ramp E varies 4 1/4" to 10 3/4"
Ramp F varies 4 1/4" to 8 1/8"
** Ramp E 8 1/2" (Beams 1-2); 8" (Beams 3-6)
Ramp F 7 1/2" (Beams 7-10)

The ϕ of existing joint is offset 1" south from the ϕ of pier, since the existing north bearings and north beam end extensions are longer. The reconstructed joint will be centered on the pier.

See sheet 11 of 16 for Section F-F.

BILL OF MATERIAL

Bar	No.	Size	Length	Shape
a4(E)	18	#5	41'-2"	—
d(E)	12	#5	5'-8"	L
d1(E)	12	#5	3'-11"	U
x(E)	84	#5	2'-7"	C
Mechanical Splicers	Each		84	
Reinforcement Bars, Epoxy Coated	Pound		1120	
Concrete Superstructure	Cu. Yds.		8.8	
Concrete Removal	Cu. Yds.		9.9	

Bars indicated thus 4x2 - #5 etc. indicates 4 line of bars with 2 lengths per line.

RAMP E
PIER 3 CONCRETE REPLACEMENT
082-0217 & 0218

DESIGNED	J. Uehle
CHECKED	A. Hallway
DRAWN	J. Uehle
CHECKED	A. Hallway

November 5, 2010
EXAMINED *Dr. Carl Perry*
ENGINEER OF STRUCTURAL SERVICES
PASSED *Ralph E. Anderson*
ENGINEER OF BRIDGES AND STRUCTURES

SHEET NO. 5 16 SHEETS	F.A.] RTE.	SECTION	COUNTY	TOTAL SHEETS	SHEET NO.
	255	82-7HB-I	ST. CLAIR	43	12
			CONTRACT NO. 76C33		
ILLINOIS FED. AID PROJECT					