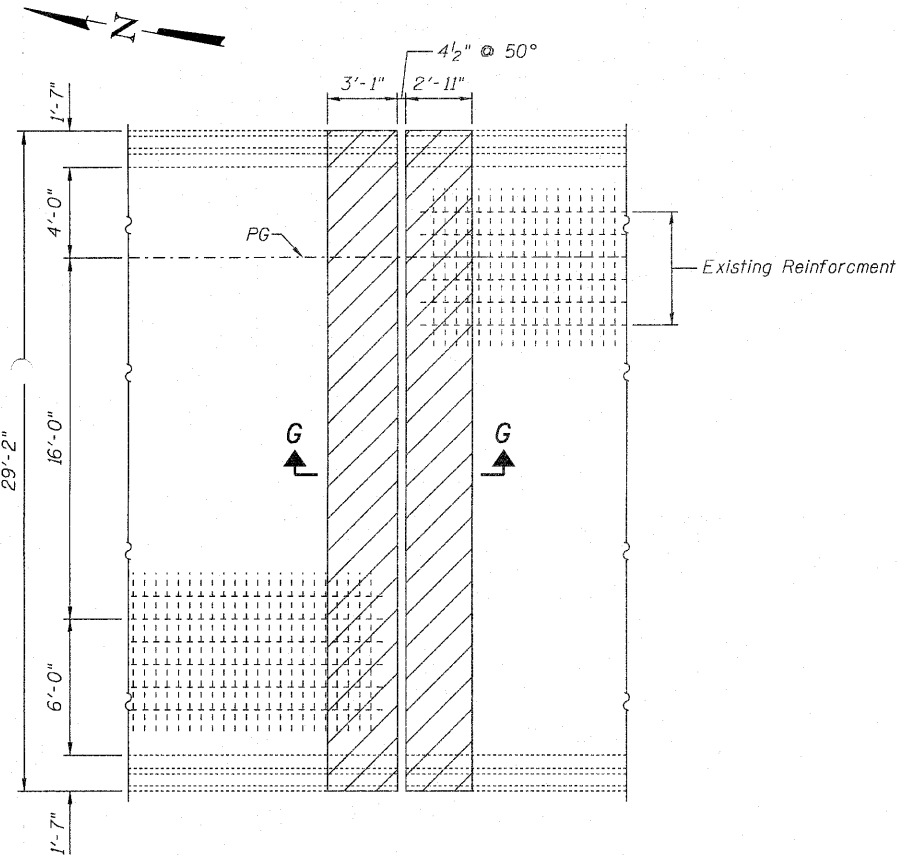
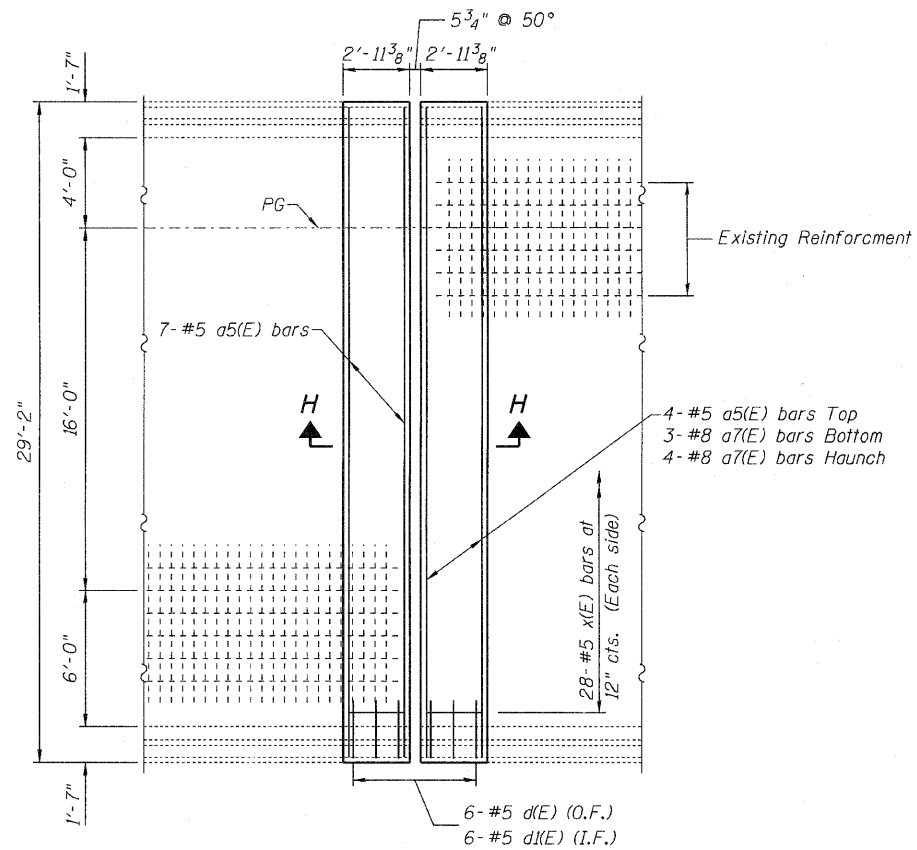


STATE OF ILLINOIS
DEPARTMENT OF TRANSPORTATION



CONCRETE REMOVAL



CONCRETE REPLACEMENT

See sheet 7 of 16 for Section G-G.

See sheet 15 of 16 for Section H-H.

BILL OF MATERIAL

Bar	No.	Size	Length	Shape
a5(E)	11	#5	27'-2"	—
a7(E)	7	#8	23'-8"	—
d(E)	12	#5	5'-8"	L
d(E)	12	#5	3'-11"	L
x(E)	56	#5	2'-7"	C
Mechanical Splicers		Each		56
Reinforcement Bars, Epoxy Coated		Pound		1020
Concrete Superstructure		Cu. Yds.		7.9
Concrete Removal		Cu. Yds.		8.5

Bars indicated thus 4x2 -#5 etc. indicates 4 line of bars with 2 lengths per line.

RAMP F
S. ABUTMENT CONCRETE REPLACEMENT
082-0217 & 0218

DESIGNED	J. Uehle
CHECKED	A. Holloway
DRAWN	J. Uehle
CHECKED	A. Holloway

November 5, 2018

EXAMINED	<i>[Signature]</i>
PASSED	<i>[Signature]</i>

ENGINEER OF STRUCTURAL SERVICES
ENGINEER OF BRIDGES AND STRUCTURES

SHEET NO. 8	F.A.]	SECTION	COUNTY	TOTAL SHEETS	SHEET NO.
	RTE.	82-7HB-1	ST. CLAIR	43	15
16 SHEETS	CONTRACT NO. 76C33				
ILLINOIS FED. AID PROJECT					