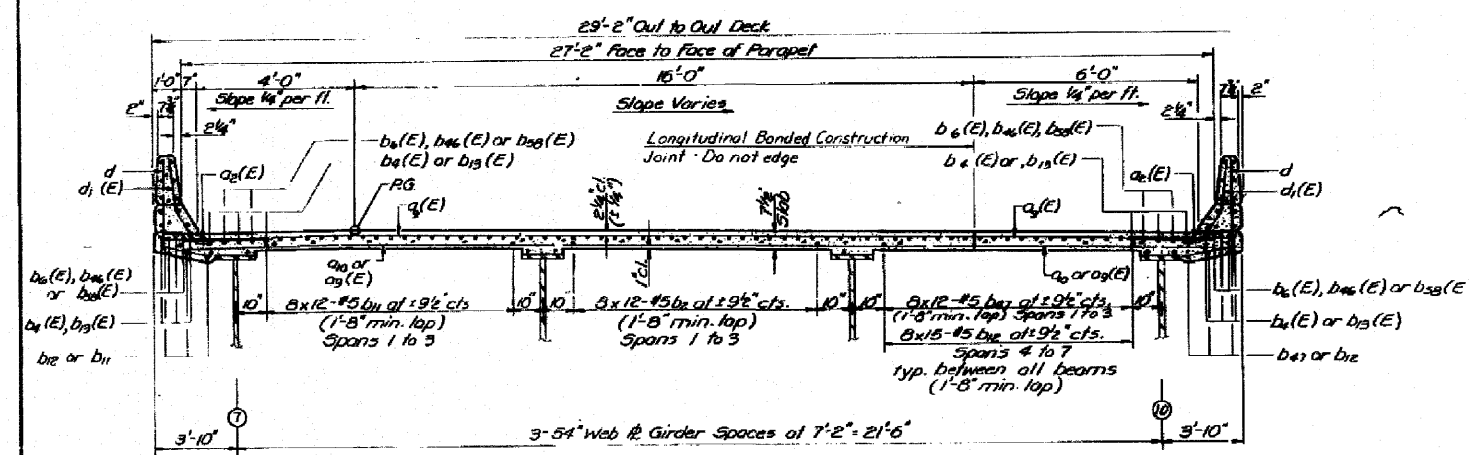


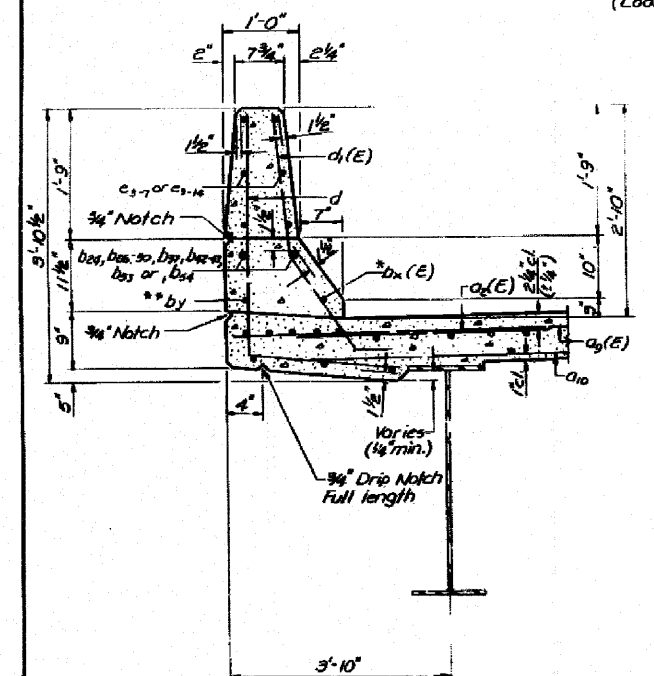
STATE OF ILLINOIS
DEPARTMENT OF TRANSPORTATION

2" Open Joint at 50°F. of Rt. L's. (N. Abut.)
4" Open Joint at 50°F. of Rt. L's. (S. Abut.)

DATE	BY	CHKD	APP'D	SHEET NO. 23
02-7-83	St. Clair	83	42	69 SHEETS

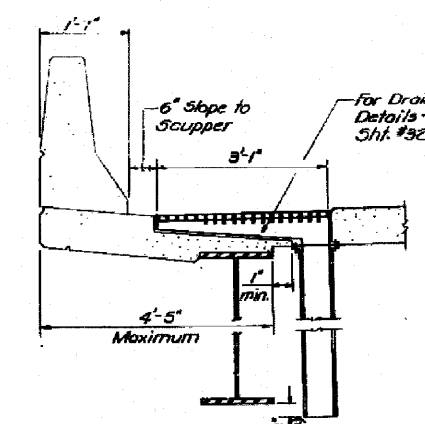


CROSS SECTION
(Looking South)



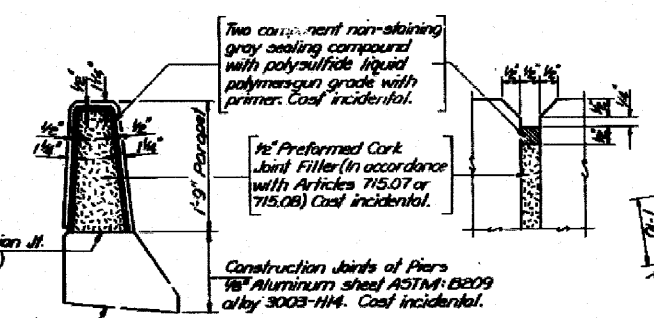
SECTION THRU PARAPET

* x = 0, 3, 4, 13, 15, 16, 31, 48-50
** y = 2, 7, 10-12, 20, 21, 23, 24, 40, 44, 51 & 52

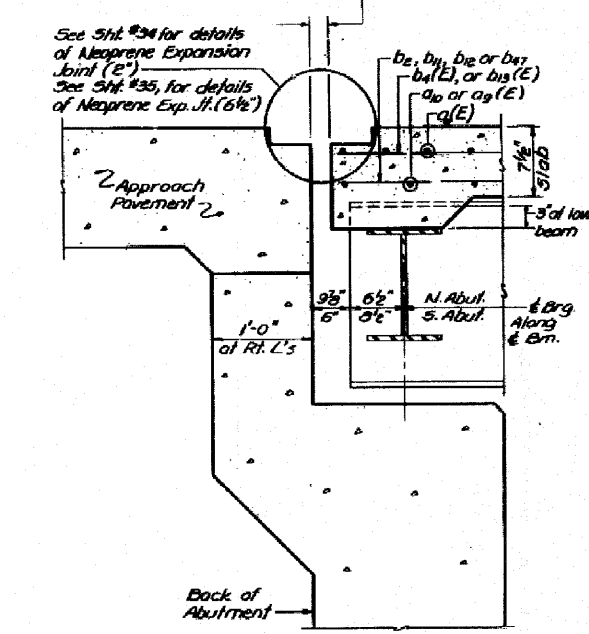


SECTION A-A

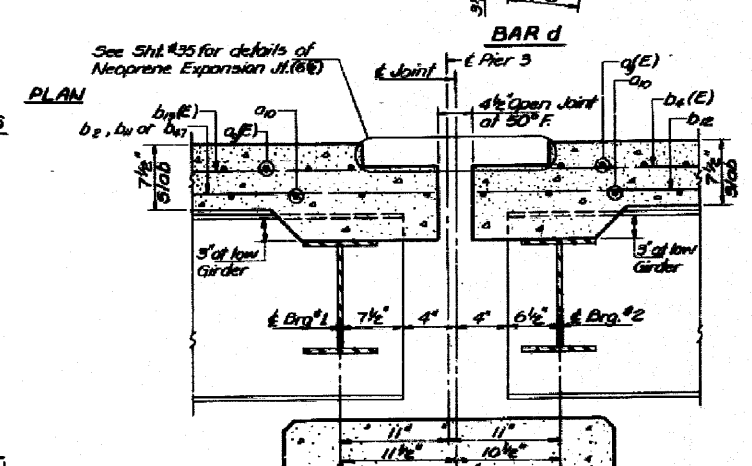
DRAINAGE SCUPPER DETAILS



PARAPET JOINT DETAILS



SECTION THRU ABUT'S
Looking East - North Abutment
Looking West - South Abutment



SECTION THRU PIER 3
Looking East

BILL OF MATERIAL

Bar	No.	Size	Length	Shape
oa(E)	1651	#5	4'-0"	
ob(E)	88	#5	2'-0"	
oc(E)	2	#5	34'-6"	
od(E)	1569	#5	27'-2"	
oe	1178	#5	27'-2"	
b(E)	11	#5	32'-6"	
be	105	#5	32'-6"	
bd(E)	6	#5	35'-6"	
bc(E)	486	#5	35'-5"	
bd(E)	90	#5	29'-9"	
bf	6	#5	35'-6"	
bg	3	#5	38'-10"	
bh	141	#5	33'-4"	
bi	456	#5	36'-5"	
bja(E)	393	#5	33'-4"	
bjb(E)	12	#5	21'-0"	
bjc(E)	8	#5	27'-4"	
bjd	12	#5	21'-0"	
bje	1	#5	30'-0"	
bjf	8	#5	27'-4"	
bjg	6	#5	35'-5"	
bjh	16	#5	21'-0"	
bji	16	#5	21'-9"	
bjj	12	#5	34'-5"	
bjk	24	#5	35'-2"	
bjl	12	#5	37'-2"	
bjm	4	#5	38'-3"	
bjn	2	#5	30'-0"	
bjo(E)	2	#5	25'-0"	
bjp	2	#5	30'-6"	
bjq	12	#5	36'-6"	
bjr	4	#5	39'-6"	
bjs(E)	100	#5	27'-7"	
bjt	132	#5	32'-0"	
bju(E)	8	#5	20'-0"	
bjv(E)	5	#5	33'-9"	
bjw(E)	4	#5	21'-10"	
bjx	8	#5	20'-0"	
bjy	4	#5	21'-10"	
bjz	4	#5	21'-10"	
bka	16	#5	20'-0"	
bkb	12	#5	37'-8"	
bkc(E)	100	#5	23'-2"	
d	1792	#4	5'-8"	L
d(E)	1954	#5	3'-11"	L
ea	150	#4	18'-6"	
eb	54	#4	18'-11"	
ec	24	#4	18'-11"	
ed	108	#4	20'-11"	
ee	28	#4	21'-5"	
ef	6	#4	30'-0"	
eg	12	#4	39'-6"	
eh	6	#4	30'-6"	
ei	84	#4	20'-3"	
ej	30	#4	18'-5"	
ek	60	#4	20'-7"	

Reinforcement bars designated (E) shall be epoxy coated. See special provisions.

SUPERSTRUCTURE DETAILS
RAMP - F
F.A.I. RT. 270 SEC. 82-7183
ST. CLAIR COUNTY
STATION 343+61.11

DESIGNED	Flak Brunette	EXAMINED	Man 7
CHECKED	J.M. K...	PAIRED	
DESIGNED	S.G. Pennington	APPROVED	
CHECKED	J.K.		

FOR INFORMATION ONLY