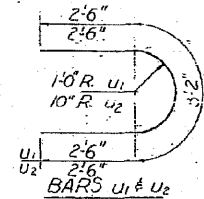
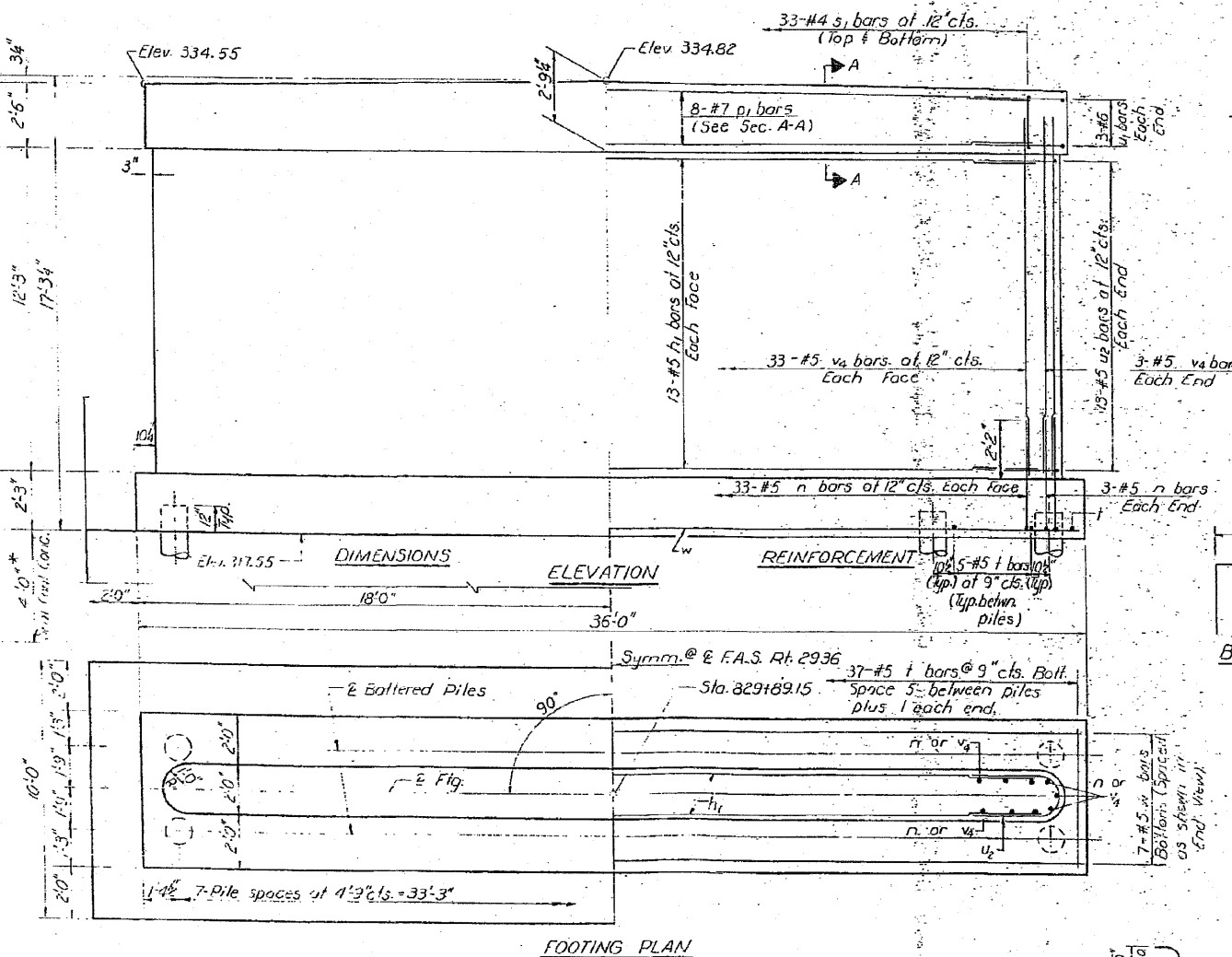
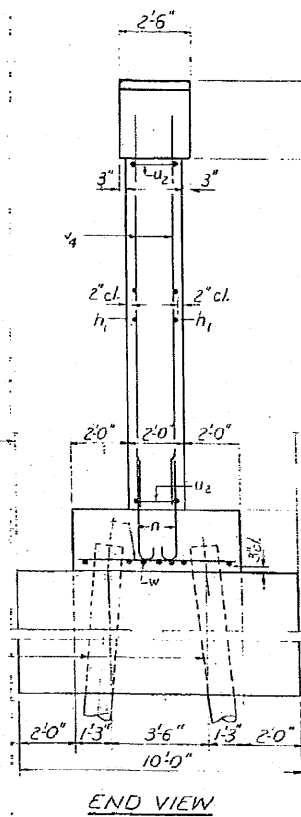
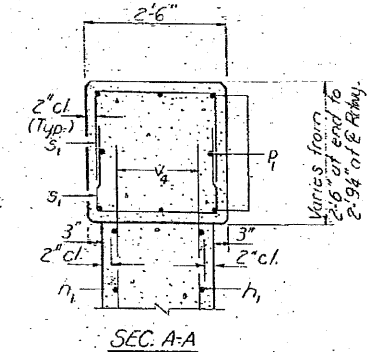
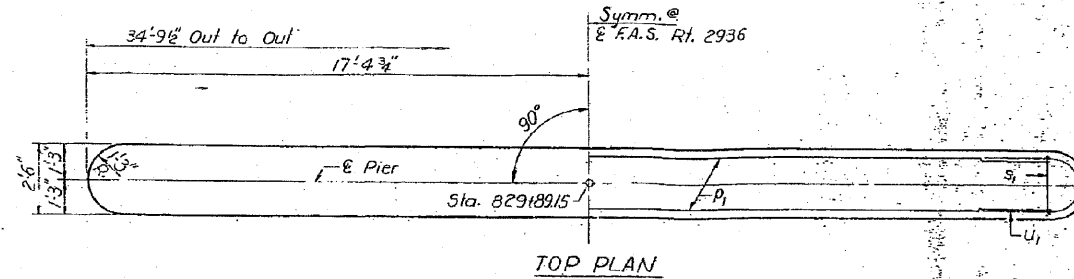


STATE OF ILLINOIS
DEPARTMENT OF TRANSPORTATION

ROUTE NO.	SECTION	COUNTY	TOTAL SHEETS	SHEET NO.
158C-2936	BR	PULASKI	20	19
SHEET NO. 9 OF 10 SHEETS				

PILE DATA

Type: Concrete
Capacity: 35 tons
Est. Length: 41'
No. Required: 15 + 1 test pile in a permanent location.



BILL OF MATERIAL

Bar	No.	Size	Length	Shape
h1	26	#5	32'-3"	
p1	8	#7	32'-3"	
s1	66	#4	6'-2"	□
t	37	#5	5'-9"	
u1	6	#6	8'-2"	
u2	26	#5	7'-7"	
v4	72	#5	13'-9"	
h	72	#5	4'-8"	
w	7	#5	35'-9"	
Class X Concrete		Cu. Yd.	56.6	
Reinforcement Bars		Pound	3820	
Concrete Piles		Lin. Ft.	615	
Test Pile Concrete		Each	1	
Cofferdam		Each	1	
Seal Coat Concrete		Cu. Yd.	37	

Note: All edges shall have standard 1/4" chamfers except as noted.

DESIGNED	May 19, 1982
CHECKED	
DRAWN	
CHECKED	

* 100% of all Cast Concrete has been tested for concrete strength of 330.8

PIER
F.A.S. RT. 2936 SEC. 158C-BR
PULASKI COUNTY
STA 829+89.15