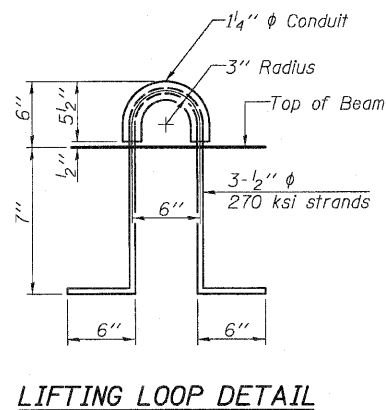


**BAR LIST**  
**ONE BEAM ONLY**  
(For information only)

Bar	No.	Size	Length	Shape
A(E)	12	#4	3'-7"	—
B(E)	5	#5	22'-5"	—
D(E)	48	#4	3'-1"	⌊
S(E)	23	#4	5'-9"	⌊
S1(E)	20	#4	6'-1"	⌊
U(E)	12	#4	3'-2"	⌊

**NOTES**

Prestressing steel shall be uncoated high strength, low relaxation 7-wire strand, Grade 270. The nominal diameter shall be 1/2" and the nominal cross-sectional area shall be 0.153 sq. in. Reinforcement bars shall conform to ASTM A 706, Grade 60. (See Special Provisions). Two 1/8" fabric adjusting shims of the dimensions of the exterior bearing pad shall be provided for each bearing pad location. A minimum 2 1/2" diameter lifting pin shall be used to engage the lifting loops during handling. Corrosion Inhibitor, per Article 1020.05(b)(12) and 1021.06 of the Standard Specifications, shall be used in the concrete for precast prestressed concrete deck beams. Compressive strength of prestressed concrete, f'c, shall be 6000 psi. Compressive strength of prestressed concrete at release, f'ci, shall be 5000 psi.



**BILL OF MATERIAL**

Precast Prestressed Conc. Deck Bms. (11" depth)	Sq. Ft.	2177
---	---------	------

**11" X 48" PPC DECK BEAM**  
**STRUCTURE NO. 077-0035**

<p>Coombe-Bloxdorf P.C. - CIVIL ENGINEERS - - STRUCTURAL ENGINEERS - - LAND SURVEYORS - Design Firm License No. 184-002703</p>	PROJECT NO. 07056-S SCALE DATE 4/27/10 DESIGN BY CME DRAWN BY TFG CHECKED BY CME/MCB	SHEET NO. 4 10 SHEETS	F.A.S. RTE. 2936 SECTION 16BR-1	COUNTY PULASKI CONTRACT NO. 78071	TOTAL SHEETS 68 SHEET NO. 49
	FED. ROAD DIST. NO. 7 ILLINOIS FED. AID PROJECT				