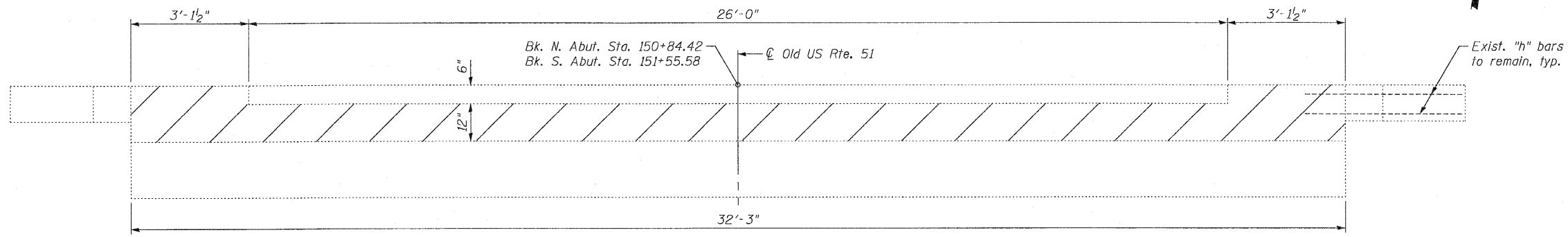


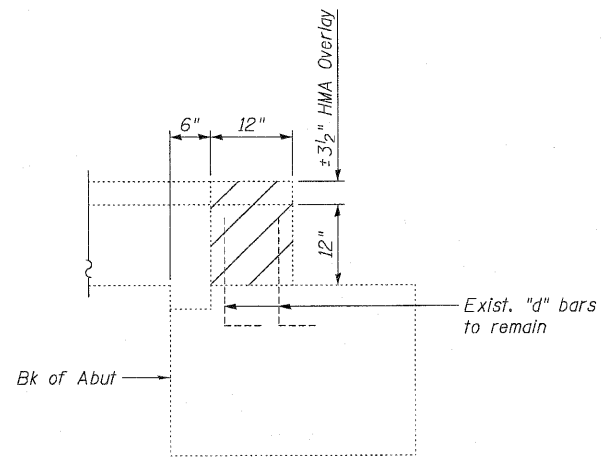
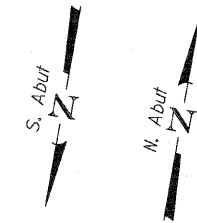
**ELEVATION**



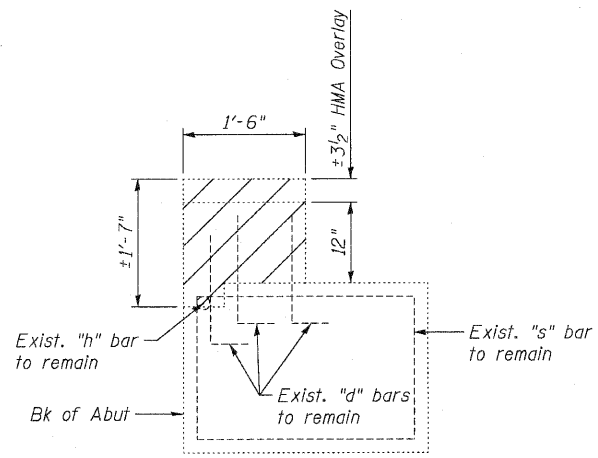
**PLAN**

**BILL OF MATERIAL  
TWO ABUTMENTS**

ITEM	UNIT	TOTAL
Concrete Removal	Cu. Yd.	3.5



**SECTION A-A**



**SECTION B-B**

Notes:  
Hatched area indicates Concrete Removal.  
Existing reinforcement bars to remain shall be cleaned and incorporated into the new construction. Any such bars damaged during concrete removal shall be replaced with bar splicer or anchorage system approved by the Engineer. Cost included with Concrete Removal.

**ABUTMENT CONCRETE REMOVAL  
STRUCTURE NO. 077-0035**

<b>Coombe-Bloxdorf P.C.</b> - CIVIL ENGINEERS - - STRUCTURAL ENGINEERS - - LAND SURVEYORS - Design Firm License No. 184-002703	PROJECT NO. 07056-5 SCALE DATE 4/27/10 DESIGN BY CME DRAWN BY CFC CHECKED BY CME/MCB	SHEET NO. 6  10 SHEETS	F.A.S RTE. 2936	SECTION 16BR-1	COUNTY PULASKI	TOTAL SHEETS 68	SHEET NO. 51
	FEDERAL ROAD DIST. NO. ILLINOIS FED. AID PROJECT		CONTRACT NO. 78071				