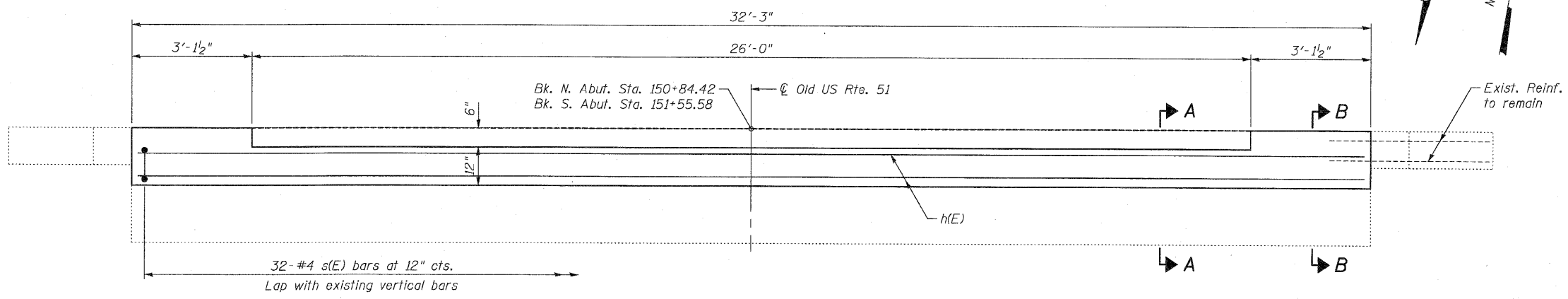


ELEVATION

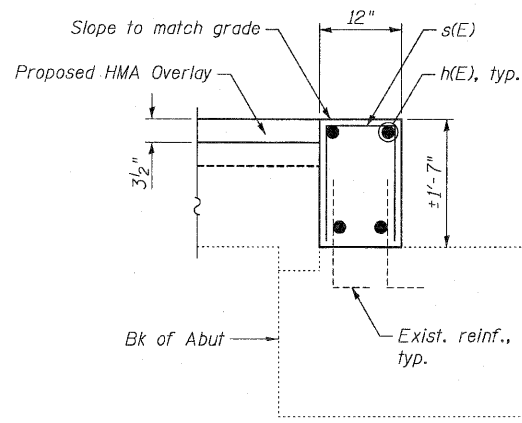


PLAN

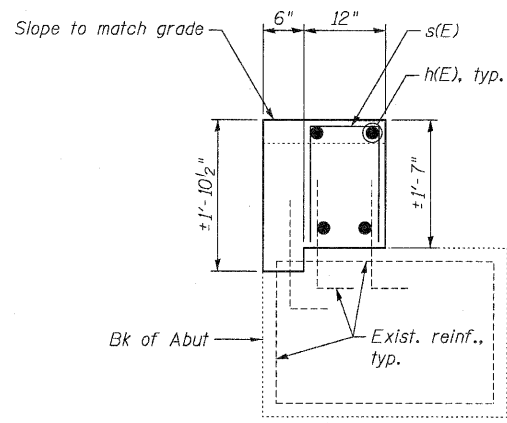
**BILL OF MATERIAL
TWO ABUTMENTS**

Bar	No.	Size	Length	Shape
h(E)	8	#5	32'-0"	—
s(E)	64	#4	3'-3"	□
Conc. Superstructure			Cu. Yd.	4.2
Reinforcement Bars, Epoxy Coated			Pound	410

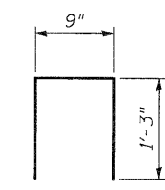
Concrete Superstructure shall be poured after beams are in place.



SECTION A-A



SECTION B-B



BAR s(E)

**ABUTMENT DETAILS
STRUCTURE NO. 077-0035**

<p>Coombe-Bloxdorf P.C. - CIVIL ENGINEERS - - STRUCTURAL ENGINEERS - - LAND SURVEYORS - Design Firm License No. 184-002703</p>	PROJECT NO. 07056-5 SCALE DATE 4/27/10 DESIGN BY CME DRAWN BY CFC CHECKED BY CME/WCB	SHEET NO. 7 10 SHEETS	F.A.S R.T.E. 2936	SECTION 16BR-1	COUNTY PULASKI	TOTAL SHEETS 68	SHEET NO. 52
	FEDERAL ROAD DIST. NO. ILLINOIS FED. AID PROJECT		CONTRACT NO. 78071				