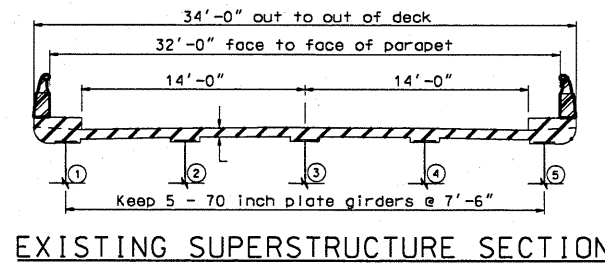
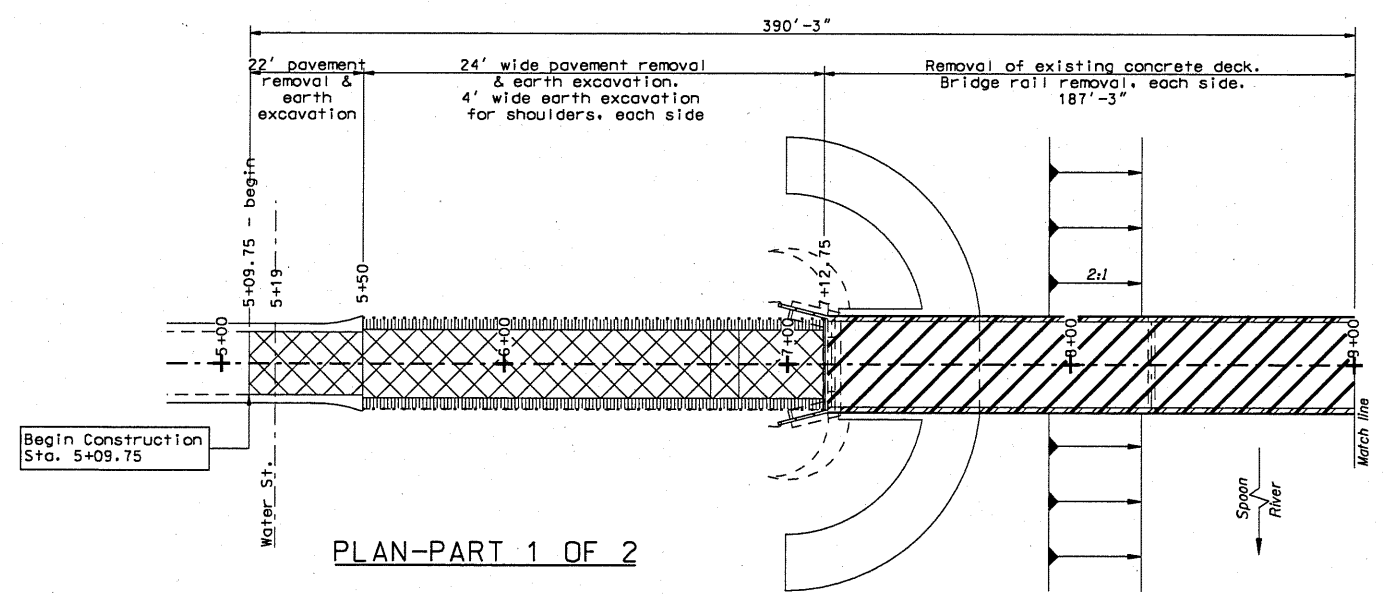
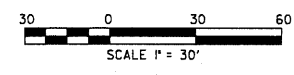
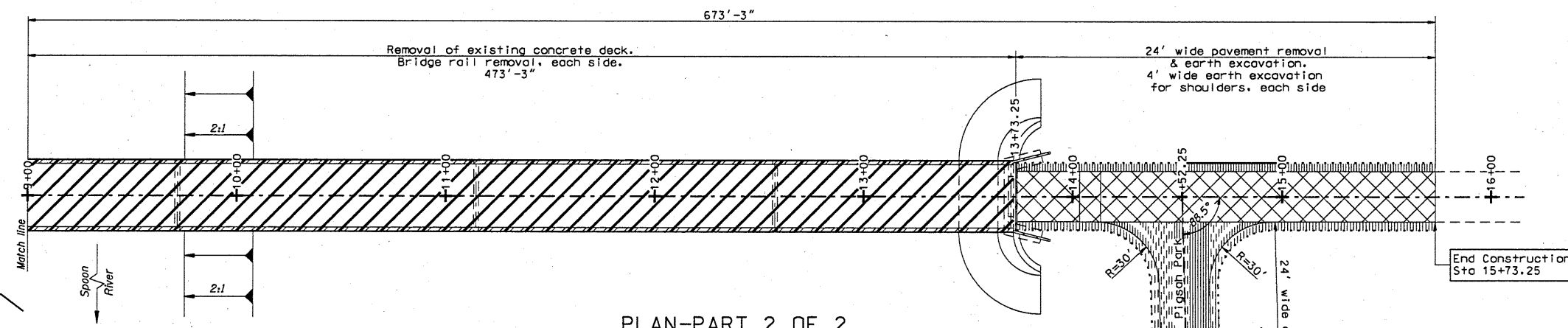


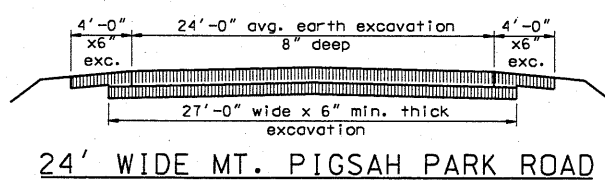
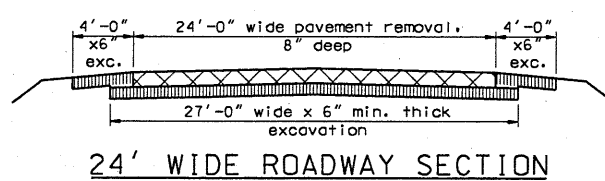
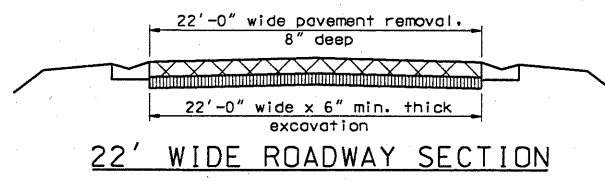
ROUTE NO.	SECTION	COUNTY	DIST.	SHEET
FAS 447		Fulton	43	6
FED. ROAD DIST. NO. 7	ILLINOIS	FED. AID PROJECT	# 08-00121-01-BR	



PLAN-PART 1 OF 2



PLAN-PART 2 OF 2



KEY

- Pavement Removal with Earth Excavation
- Bridge Rail Removal (includes parapets)
- Removal of Existing Concrete Deck (includes curbs)
- Earth Excavation

NOTES:
 After removing the 8" of pavement, the Engineer shall determine if the existing sub-base can remain. If the existing sub-base is re-used, no earth excavation below the pavement removal is required.

BRIDGE RAIL REMOVAL			FOOT
LOCATION			
STA. 7+12.75	TO	STA. 13+73.25	1321
TOTAL			1321

LOCATION		PAV'T			
		SO. YD.	EXC. CU. YD.		
STA. 5+09.75	TO	STA. 5+50.00	mainline	99	29
STA. 5+50.00	TO	STA. 7+12.75	mainline	434	173
STA. 13+73.25	TO	STA. 15+73.25	mainline	533	208
STA. 0+12.00	TO	STA. 2+00.00	Mt. Pigsah	0	280
TOTAL				1066	690

BILL OF MATERIAL - DEMOLITION PLAN		
ITEM	UNIT	QUANTITY
Earth Excavation	CU. YD.	690
Pavement Removal	SO. YD.	1066
Bridge Rail Removal	FOOT.	1321
Removal of Existing Concrete Deck	EACH	1