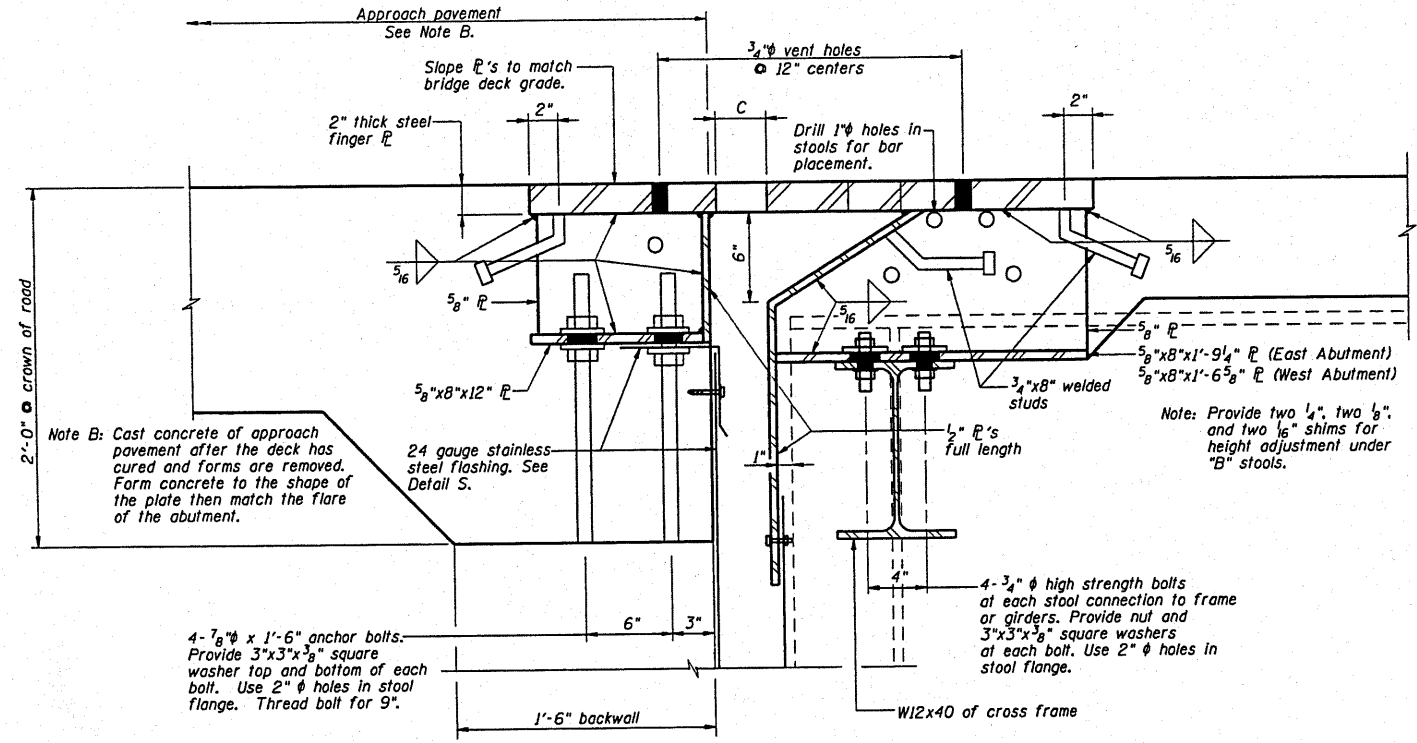
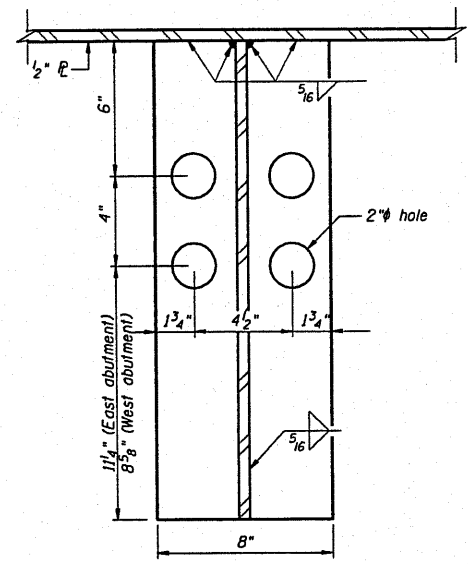


ROUTE NO.	SECTION	COUNTY	SHEET	TOTAL SHEETS
FAS 447	#	Fulton	43	25
FED. ROAD DIST. NO. 7		ILLINOIS	FED. ROAD PROJECT	

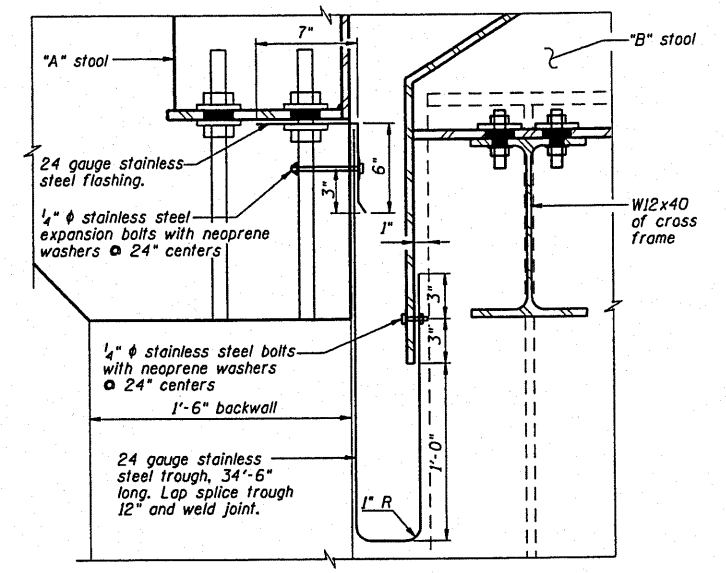
\*08-00121-01-BR



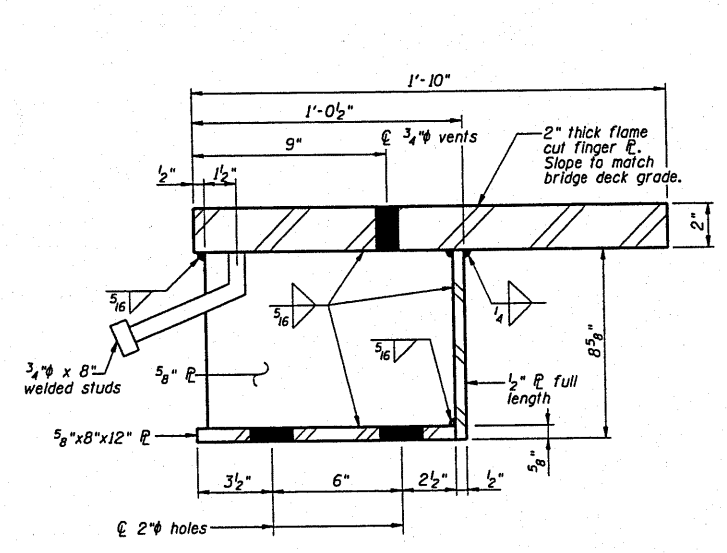
SECTION E1-E1



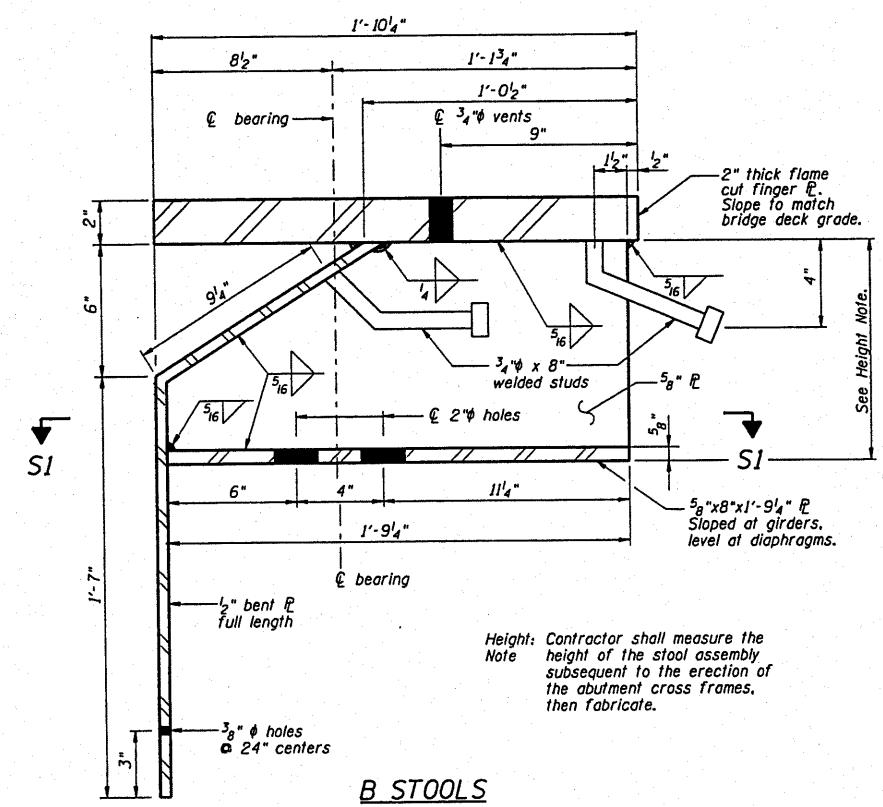
SECTION S1-S1



DETAIL S

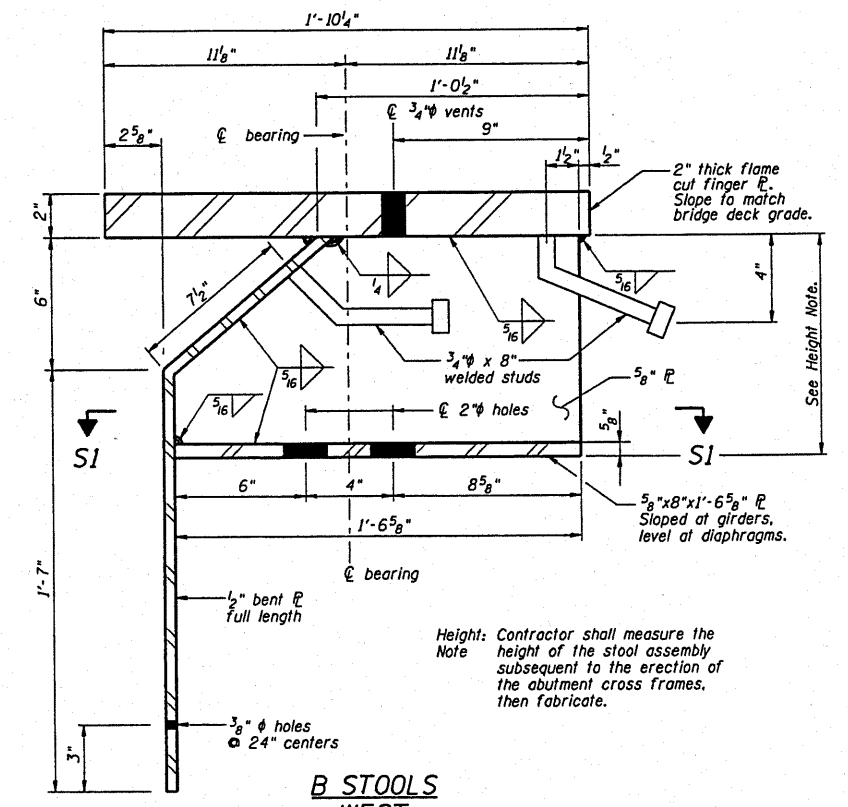


A STOOLS EAST OR WEST



B STOOLS EAST

Height: Contractor shall measure the height of the stool assembly subsequent to the erection of the abutment cross frames, then fabricate.



B STOOLS WEST

Height: Contractor shall measure the height of the stool assembly subsequent to the erection of the abutment cross frames, then fabricate.

DSGN	K.J. Hoffmann				
DR	K.J. Hoffmann				
CHK	J.A. Fraunhofer				
APVD	J.A. Fraunhofer	NO.	DATE	REVISION	BY

**FRAUENHÖFFER**  
Fraunhofer and Associates, P.C. Consulting Engineers  
3002 Crossing Court Champaign, IL 61822 217-351-6268

FINGER PLATE EXPANSION JOINT-SHEET 2 OF 3  
FAS 447 (C.H. 17) OVER SPOON RIVER  
SECTION 08-00121-01-BR  
FULTON COUNTY

SHEET	25
DWG NO.	EXP.dgn
DATE	JAN 2010
PROJ NO.	8015