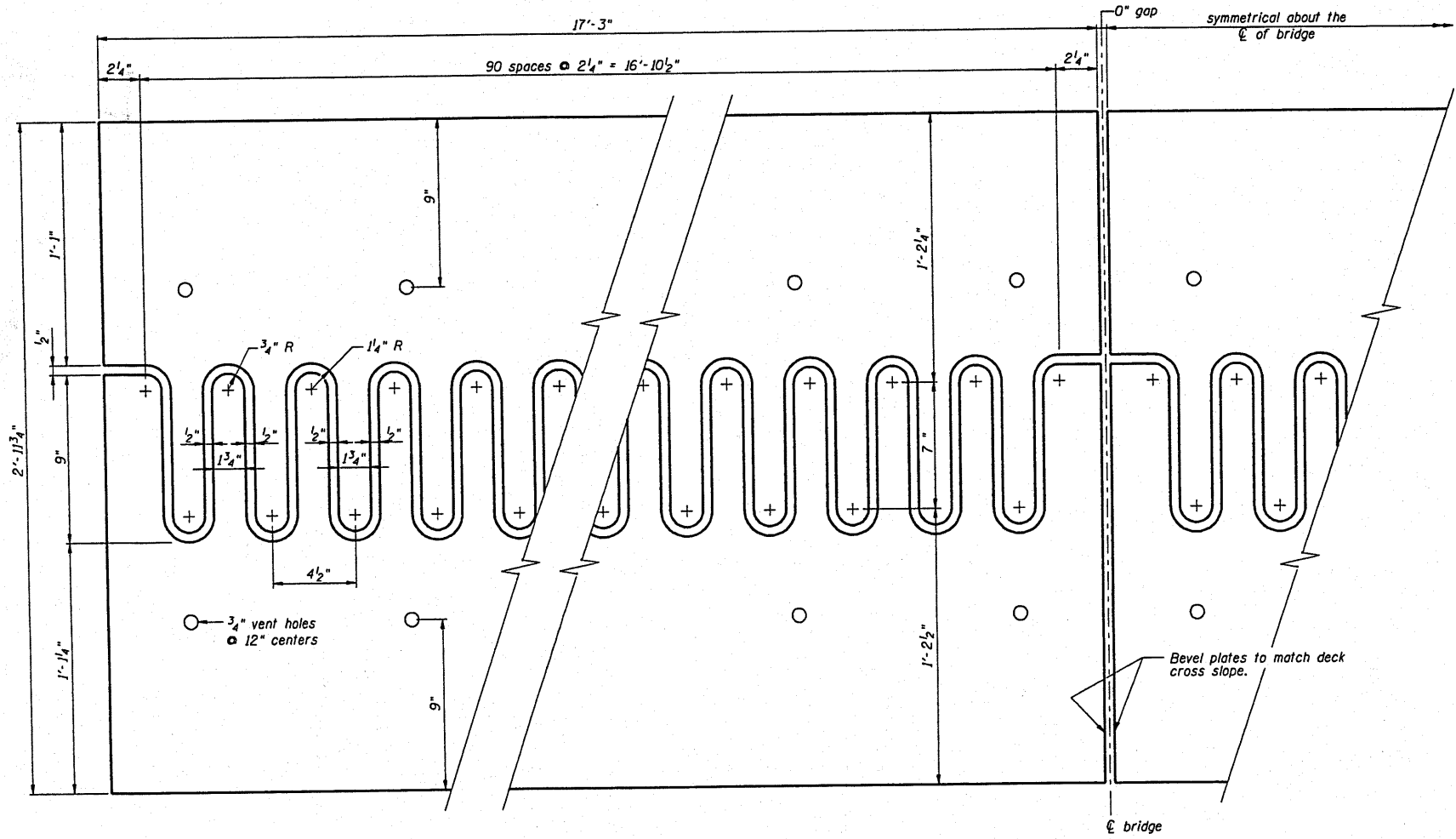
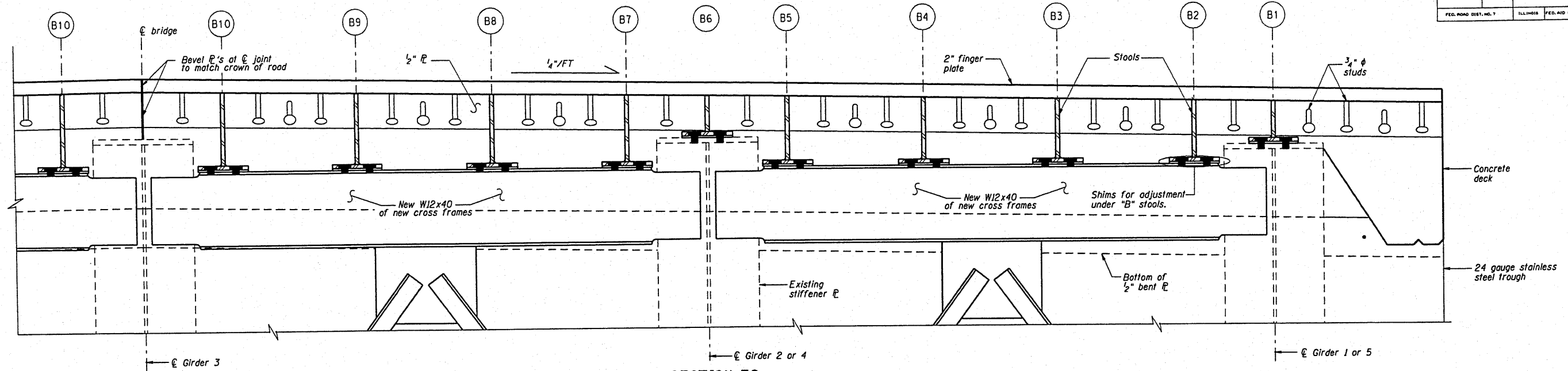


ROUTE NO.	SECTION	COUNTY	TOTAL SHEETS	SHEET NO.
FAS 447	#	Fulton	43	26
FED. ROAD DIST. NO. 7	ILLINOIS	FED. AID PROJECT		



FLAME CUT PLATE DETAIL

Cut each of two plates from from a 2"x2'-11 3/4"x17'-3" R.

NOTES:

Expansion joints shall be fabricated and installed according to the drawings then Section 520 of the Standard Specifications.

Materials: Finger plates, bent plates, stools, shims shall be AASHTO M270. Welded studs shall be granular or solid flux filled headed conforming to section 1006.32 of the Standard Specifications. The finger plate assembly and shims shall be hot-dipped galvanized by AASHTO M111 after fabrication. Bolts shall be AASHTO M164 Type 1, mechanically galvanized.

Fabrication: After installation of new abutment bearings and cross frames, the Contractor shall field survey the top of beams and cross frames to determine stool heights and verify bolt hole locations with respect to the cross frames BEFORE ordering or fabrication.

The anchor bolts, furnished and installed shall be included in the cost of FINGER PLATE EXPANSION JOINT.

Basis of Payment: This work shall be paid for at the contract unit price per linear foot for FINGER PLATE EXPANSION JOINT. Said price shall include all materials including all steel shapes shown in these drawings, shims, plates, anchors, washers, screws, bolts and nuts, galvanization, labor, and installation necessary to complete the work. The cost of materials and installation of the trough system shall be included in the contract unit per foot for FINGER PLATE EXPANSION JOINT as noted above.

BILL OF MATERIAL

Item	Unit	Quantity
Finger Plate Expansion Joint	Foot	69

DSGN	K.J. Hoffmann				
DR	K.J. Hoffmann				
CHK	J.A. Fraenhoffer				
APVD	J.A. Fraenhoffer	NO.	DATE	REVISION	BY

FRAUENHOFFER
 Fraenhoffer and Associates, P.C. Consulting Engineers
 3002 Crossing Court Champaign, IL 61822 217-351-6268

FINGER PLATE EXPANSION JOINT-SHEET 3 OF 3 SHEET 26
 FAS 447 (C.H. 17) OVER SPOON RIVER
 SECTION 08-00121-01-BR
 FULTON COUNTY
 DWG NO. EXP.dgn
 DATE JAN 2010
 PROJ NO. 8015