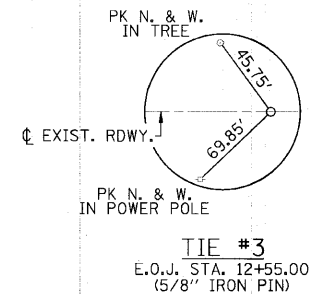
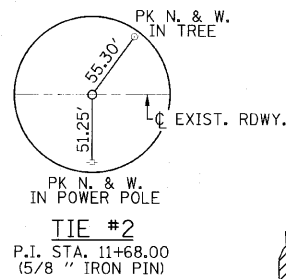
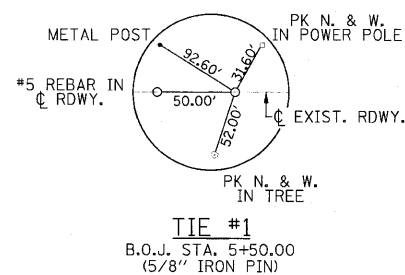


SECTION 11, T. 10 N., R. 1 E., 3RD P.M.

SECTION 12, T. 10 N., R. 1 E., 3RD P.M.



STA. 9+20.00 - C RDWY. AT C STRUCTURE
PROPOSED STRUCTURE: THREE SPAN PRECAST
PRESTRESSED CONCRETE DECK BEAM BRIDGE (17" DEPTH)
ON OPEN CONCRETE ABUTMENTS AND PILE BENT PIERS.
24'-0" OUT-OUT DECK, 120'-0" BK.-BK. ABUTMENTS,
36'-8 1/2" (SPANS 1 & 3), 42'-8 1/2" (SPAN 2),
STEEL RAILING, TYPE S-1. 15° SKEW RT. FWD.

INSTALL NEW 15"Ø X 70' PIPE
CULVERTS, CLASS D, TYPE 2
INLET - EL. 91.5
OUTLET - EL. 91.3

INSTALL NEW 15"Ø X 66' PIPE
CULVERTS, CLASS D, TYPE 2
INLET - EL. 91.15
OUTLET - EL. 89.90

PROPOSED CURVE DATA

PI STA. = 11+68.00
Δ = 10° 59' 32" (RT)
D = 6° 53' 29"
R = 831.42'
T = 80.00'
L = 159.51'
E = 3.84'
P.C. STA. = 10+88.00
P.T. STA. = 12+47.51
SE = N/A

SCHEDULE
TREE REMOVAL, ACRES

LOCATION	QUANTITY (ACRE)
STA. 5+63 TO STA. 8+33 LT.	0.19
STA. 5+50 TO STA. 9+29 RT.	0.34
STA. 9+11 TO STA. 9+85 LT.	0.13
STA. 9+53 TO STA. 9+91 RT.	0.08
STA. 10+03 TO STA. 10+20 LT.	0.03
TOTAL	0.77

SAY 0.80 ACRE

SCHEDULE
TEMPORARY DITCH CHECKS

LOCATION	QUANTITY (FOOT)
STA. 6+80 16' LT. & RT.	12
STA. 8+00 19' LT.	6
STA. 8+00 16' RT.	6
STA. 10+50 29' LT.	6
STA. 10+50 30' RT.	6
TOTAL	36

SCHEDULE
PERIMETER EROSION BARRIER

LOCATION	QUANTITY (FOOT)
STA. 5+50 20' RT. TO STA. 9+20 90' RT.	412
STA. 9+75 90' RT. TO STA. 12+55 20' RT.	392
STA. 5+50 20' LT. TO STA. 8+75 38' LT.	332
STA. 9+50 75' LT. TO STA. 12+55 20' LT.	345
TOTAL	1481

MARC STAUDER

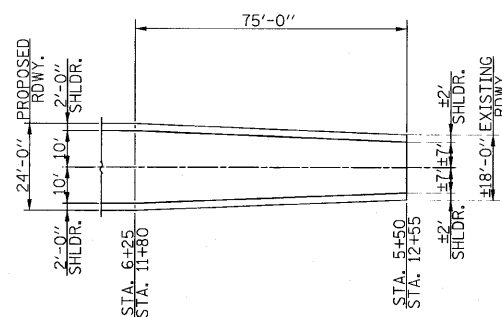
FERLIN L. & DEANNA L. RHODES

DUSTIN J. DUDUIT

BENCHMARKS: BM #1 - 60D NAIL & WASHER IN POWER POLE,
STA. 15+23, 35.4' RT. EL. 100.00
BM #2 - 60D NAIL & WASHER IN POWER POLE,
STA. 8+44, 25.6' RT. EL. 104.29

SECTION 14, T. 10 N., R. 1 E., 3RD P.M.

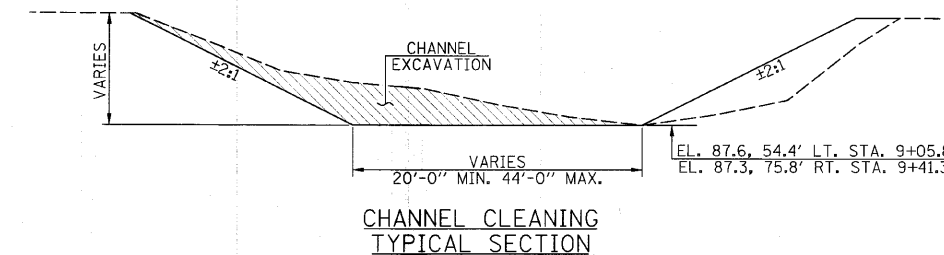
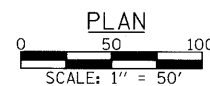
SECTION 13, T. 10 N., R. 1 E., 3RD P.M.



ROADWAY TRANSITION DETAIL

LEGEND

- PERIMETER EROSION BARRIER
- INDICATES AGGREGATE DITCH CHECK
- DENOTES IMPACTED WETLAND AREA



FILE NAME - #P# I.L.#	USER NAME - #USER#	DESIGNED -	REVISED -	<p>Allen Henderson & Associates, Inc. Civil and Structural Engineers Springfield, IL. 62703 Phone: (217)544-8033 IL Design Firm No. 184-001907</p>	<p>ROADWAY PLAN</p>	T.P. RTE.	SECTION	COUNTY	TOTAL SHEETS	SHEET NO.		
	PLOT SCALE - #SCALE#	DRAWN -	REVISED -			SCALE: 1" = 50'	SHEET NO. 1 OF 2 SHEETS	303	09-11118-00-BR	SHELBY	22	3
	PLOT DATE - #DATE#	CHECKED -	REVISED -			STA. 5+50.00 TO STA. 12+55.00						
		DATE -	REVISED -									
						ATTACHMENT #6A		CONTRACT NO. 95629				
						ILLINOIS FED. AID PROJECT						