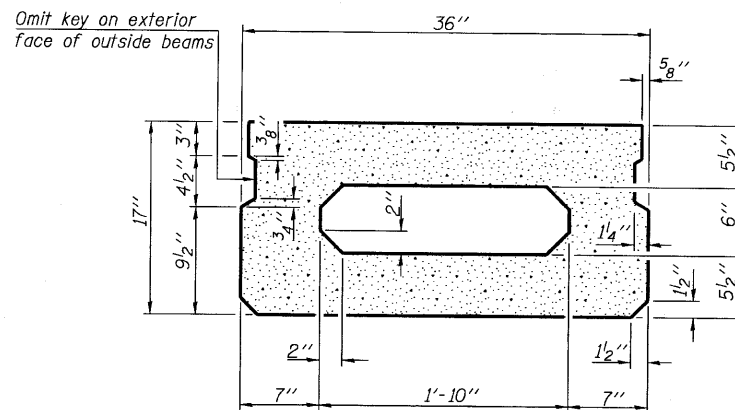
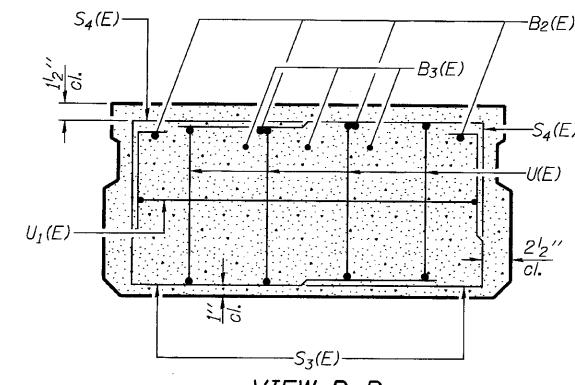


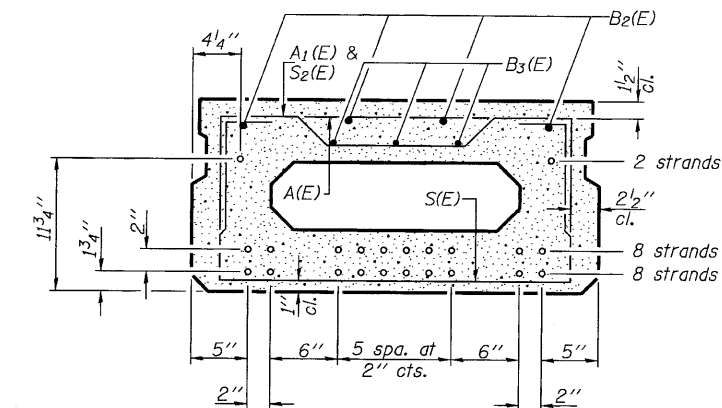
SECTION C-C



SECTION A-A
(Showing dimensions)



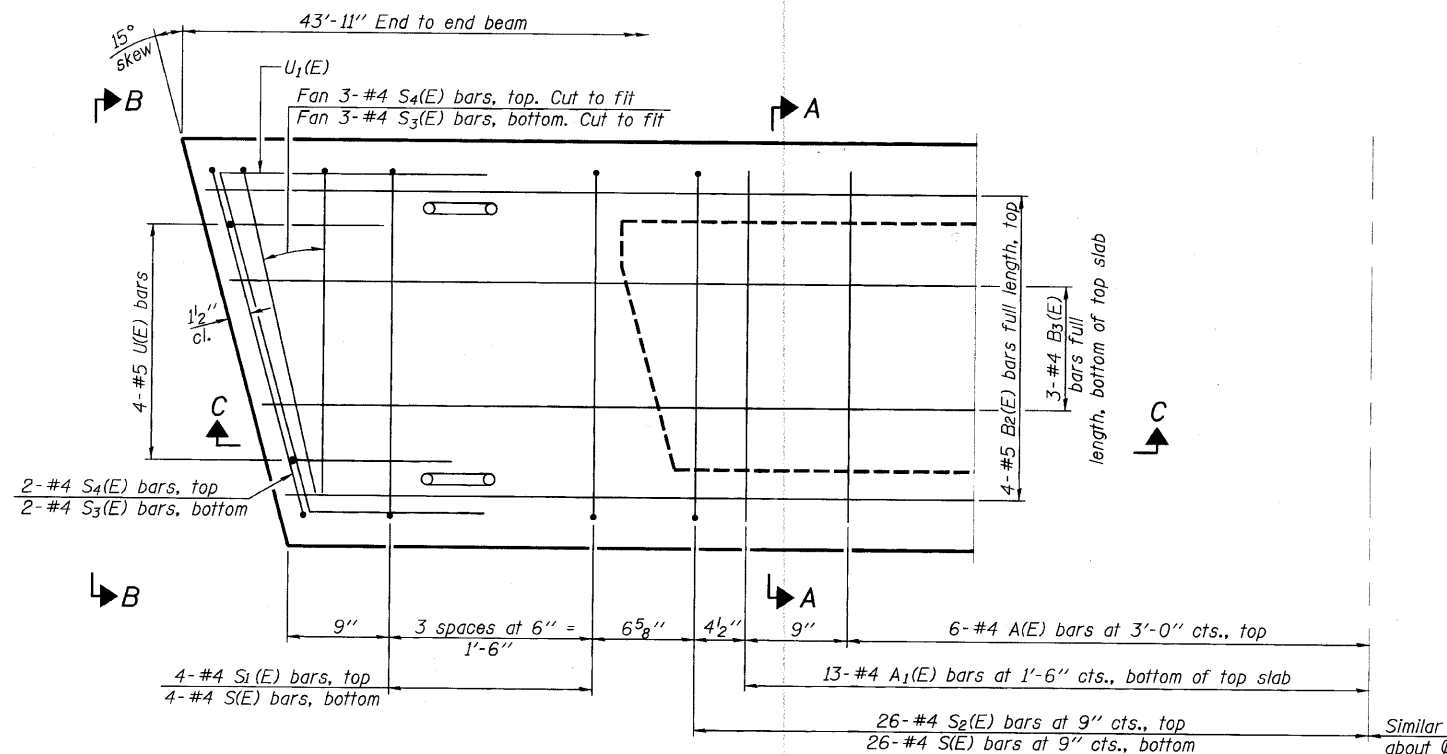
VIEW B-B



SECTION A-A

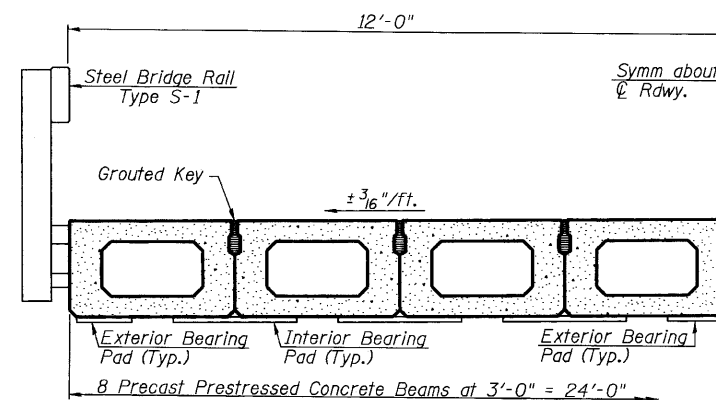
(Showing reinforcement and permissible strand locations)

Note: Place the number of strands specified in each row symmetrically about the centerline of beam in the permissible strand locations shown.



PLAN VIEW

Note: Spacing of S(E) and S2(E) bars may be adjusted up to 4" in the immediate area of the transverse tie diaphragms to miss the block outs for the transverse ties.



HALF CROSS SECTION

BAR LIST
ONE BEAM ONLY
(For information only)

Bar	No.	Size	Length	Shape
A(E)	13	#4	2'-7"	—
A1(E)	26	#4	2'-10"	—
B2(E)	4	#5	43'-8"	—
B3(E)	3	#4	43'-8"	—
S(E)	59	#4	5'-9"	□
S1(E)	8	#4	4'-3"	□
S2(E)	51	#4	4'-6"	□
S3(E)	10	#4	4'-2"	□
S4(E)	10	#4	3'-5"	□
U(E)	8	#5	3'-8"	□
U1(E)	2	#4	5'-9"	□

Note: See sheet 10 of 22 for additional details and Bill of Material.

17" X 36" PPC DECK BEAM
STRUCTURE NO. 087-3569

PD-1736-R

11-1-09

FILE NAME =	USFR NAME = #USER#	DESIGNED -	REVISED -
		DRAWN -	REVISED -
		CHECKED -	REVISED -
		DATE -	REVISED -



Allen Henderson & Associates, Inc.
Civil and Structural Engineers Springfield, IL.
62703 Phone: (217)544-8033 IL Design Firm
No. 184-001907

17" x 36" P.P.C. DECK BEAM
SPAN 2

SCALE: NONE SHEET NO. 5 OF 11 SHEETS STA. TO STA.

T.R. RTE.	SECTION	COUNTY	TOTAL SHEETS	SHEET NO.
303	09-11118-00-BR	SHELBY	22	9
FED. ROAD DIST. NO. ILLINOIS FED. AID PROJECT			CONTRACT NO. 95629	