

STATE OF ILLINOIS  
DEPARTMENT OF TRANSPORTATION

F.A.I. RTE.	SECTION	COUNTY	TOTAL SHEETS	SHEET NO.
80	(32-3)CLV	GRUNDY	16	1
		ILLINOIS	CONTRACT NO. 66L96	

**INDEX OF SHEETS**

- 1 . COVER SHEET
- 2 . GENERAL NOTES
- 3 - 5 . SUMMARY OF QUANTITIES
- 6 . TYPICAL SECTION
- 7 . SCHEDULES
- 8 . TRAFFIC CONTROL AND PROTECTION, STANDARD 701400
- 9 . TRAFFIC CONTROL AND PROTECTION, STANDARD 701401
- 10 . GENERAL PLAN AND ELEVATION, STRUCTURE NO. 032-2525
- 11 -12 . REMOVAL DETAILS
- 13 - 14 . CULVERT DETAILS
- 15 . LINEATOR DELINATOR PANELS 4 INCH
- 16 . BORING LOG

**STANDARDS**

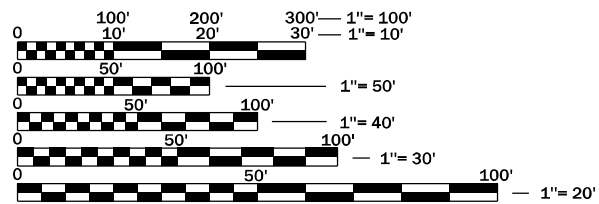
- 000001-08 STANDARD SYMBOLS, ABBREVIATIONS AND PATTERNS
- 001001-02 AREAS OF REINFORCEMENT BARS
- 001006 DECIMAL OF AN INCH AND OF A FOOT
- 630001-12 STEEL PLATE BEAM GUARDRAIL
- 630106-02 LONG-SPAN GUARDRAIL OVER CULVERT
- 701101-05 OFF-ROAD OPERATIONS, MULTILANE, 15' (4.5 m) TO 24" (600 mm) FROM PAVEMENT EDGE
- 701106-02 OFF-ROAD OPERATIONS, MULTILANE, MORE THAN 15' (4.5 m) AWAY
- 701401-12 LANE CLOSURE, FREEWAY/EXPRESSWAY
- 701428-01 TRAFFIC CONTROL, SETUP AND REMOVAL, FREEWAY/EXPRESSWAY
- 701901-08 TRAFFIC CONTROL DEVICES
- 782006-01 GUARDRAIL AND BARRIER WALL REFLECTOR MOUNTING DETAILS

**PROPOSED  
HIGHWAY PLANS**

**F.A.I. ROUTE 80 (I-80)  
SECTION (32-3)CLV  
BOX CULVERT REPAIRS  
GRUNDY COUNTY**

C-93-098-21

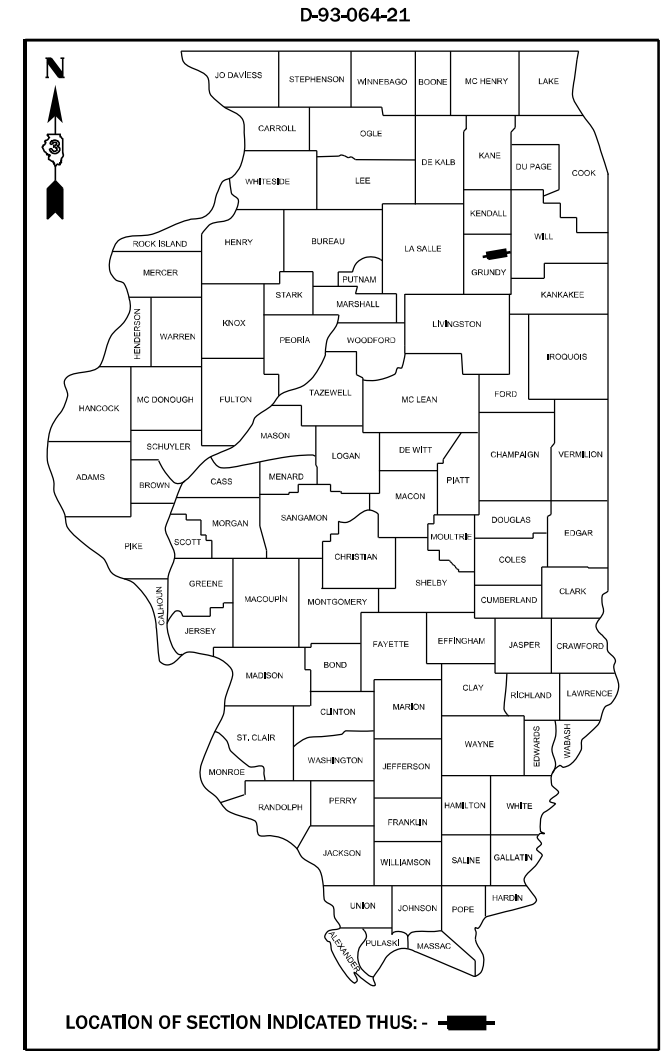
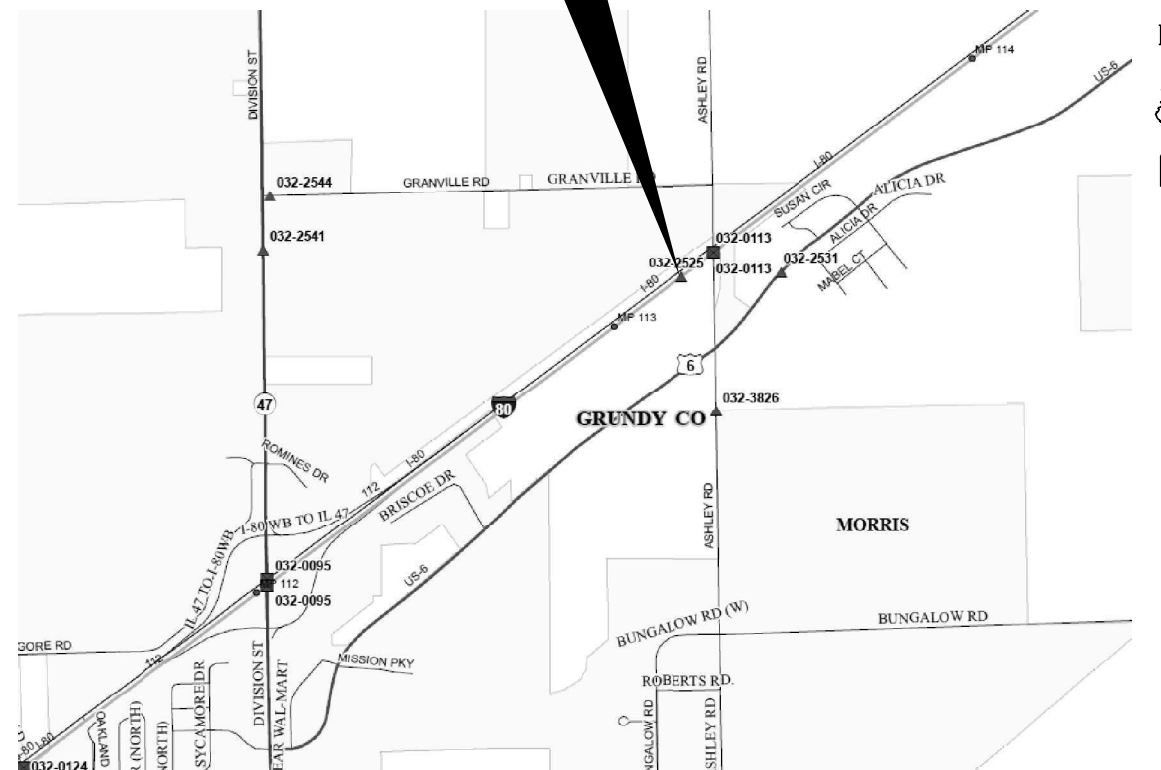
**PROJECT LOCATION**  
STRUCTURE NO. 032-2525  
12' x 8' CONCRETE BOX CULVERT  
STA. 1261+74.27  
400 ft WEST OF ASHLEY RD.



FULL SIZE PLANS HAVE BEEN PREPARED USING STANDARD ENGINEERING SCALES. REDUCED SIZED PLANS WILL NOT CONFORM TO STANDARD SCALES. IN MAKING MEASUREMENTS ON REDUCED PLANS, THE ABOVE SCALES MAY BE USED.

J.U.L.I.E.  
JOINT UTILITY LOCATION INFORMATION FOR EXCAVATION  
1-800-892-0123  
OR 811

**PROJECT ENGINEER YOGESH PATEL**  
**UNIT CHIEF RON WOODSHANK**  
DISTRICT 3 NO. (815) 434-6131  
CONTRACT NO. 66L96



**FUNCTIONAL CLASSIFICATION**  
URBAN INTERSTATE  
F.A.I. ROUTE 80 (I-80)  
2019 ADT = 40500  
P.V. 69.4 % S.U. 4.2 % M.U. 26.4 %

STATE OF ILLINOIS  
DEPARTMENT OF TRANSPORTATION

SUBMITTED June 29, 20 21  
*Yogesh Patel*  
REGIONAL ENGINEER

October 1, 20 21  
*Stephen M. Faurie*  
ENGINEER OF DESIGN AND ENVIRONMENT

October 2, 20 21  
*Stephen M. Faurie*  
DIRECTOR OF HIGHWAYS PROJECT IMPLEMENTATION

**PRINTED BY THE AUTHORITY  
OF THE STATE OF ILLINOIS**

**GENERAL NOTES**

THE ENGINEER WILL BE THE SOLE JUDGE CONCERNING CURING TIME FOR THE VARIOUS HMA LIFTS.

THE FINISHED EARTHWORK SHALL HAVE A VEGETATION SUSTAINING SOIL COVERING THE TOP FOUR INCHES IN AREAS TO BE SEEDED OR SODDED. THE VEGETATION SUSTAINING SOIL REQUIRED WILL NOT BE PAID FOR SEPARATELY BUT WILL BE INCLUDED IN THE COST OF FURISHED EXCAVATION.

THE FOLLOWING RATES OF APPLICATION HAVE BEEN USED IN CALCULATING PLAN QUANTITIES:

GRANULAR MATERIALS	2.05	TONS / CU YD
--------------------	------	--------------

**COMMITMENTS**

STATE OF ILLINOIS  
DEPARTMENT OF TRANSPORTATION  
DISTRICT THREE  
AS BUILT INFORMATION

\_\_\_\_\_  
SUPERVISING CONSTRUCTION FIELD ENGINEER

\_\_\_\_\_  
RESIDENT ENGINEER / TECHNICIAN

START & END DATES  
OF CONSTRUCTION:

INSPECTORS:

\_\_\_\_\_  
\_\_\_\_\_  
\_\_\_\_\_

STATE OF ILLINOIS  
DEPARTMENT OF TRANSPORTATION  
DISTRICT THREE

PREPARED BY: \_\_\_\_\_  
DISTRICT STUDIES & PLANS ENGINEER

DATE: \_\_\_\_\_

EXAMINED BY: \_\_\_\_\_  
DISTRICT CONSTRUCTION ENGINEER

\_\_\_\_\_  
DISTRICT MATERIALS ENGINEER

\_\_\_\_\_  
DISTRICT OPERATIONS ENGINEER

MODEL: Default  
FILE NAME: P:\pub\mtrn0001.dwg  
PROJECT: P:\pub\mtrn0001\DOT Documents\DOT Office\District 3\Projects\0366L06\CADD\0366L06\_PLANS\_SHEETS.dwg

USER NAME = woodshank1	DESIGNED - RW	REVISED -
	DRAWN - RW	REVISED -
PLOT SCALE = 100,0000' / in.	CHECKED - YP	REVISED -
PLOT DATE = 6/29/2021	DATE - 5/15/2021	REVISED -

**STATE OF ILLINOIS  
DEPARTMENT OF TRANSPORTATION**

**GENERAL NOTES**

SCALE: SHEET 1 OF 1 SHEETS STA. TO STA.

F.A.I. RTE.	SECTION	COUNTY	TOTAL SHEETS	SHEET NO.
80	(32-3)CLV	GRUNDY	16	2
CONTRACT NO. 66L96				
ILLINOIS FED. AID PROJECT				



CONSTRUCTION CODE
CONTRACT MAINTENANCE
100% STATE
BOX CULVERT
0004
S.N. 032-2525

CODE NO.	ITEM	UNIT	TOTAL QUANTITY	
63200310	GUARDRAIL REMOVAL	FOOT	100	100
63302000	REMOVE AND REERECT TRAFFIC BARRIER TERMINALS, TYPE 2	EACH	2	2
67100100	MOBILIZATION	L SUM	1	1
70103815	TRAFFIC CONTROL SURVEILLANCE	CAL DA	30	30
70104205	TRAFFIC CONTROL AND PROTECTION, STANDARD 701401, LOCATION 1	EACH	1	1
70104210	TRAFFIC CONTROL AND PROTECTION, STANDARD 701401, LOCATION 2	EACH	1	1
70107025	CHANGEABLE MESSAGE SIGN	CAL DA	90	90
70300100	SHORT TERM PAVEMENT MARKING	FOOT	400	400
70300150	SHORT TERM PAVEMENT MARKING REMOVAL	SQ FT	140	140
* 78008230	POLYUREA PAVEMENT MARKING TYPE I - LINE 6"	FOOT	1000	1000
* 78200005	GUARDRAIL REFLECTORS, TYPE A	EACH	22	22
78300202	PAVEMENT MARKING REMOVAL - WATER BLASTING	SQ FT	500	500
X0327809	LINEAR DELINEATOR PANELS, 4 INCH	EACH	22	22
X1200235	REMOVE EXISTING RIPRAP	CU YD	91	91

\*= SPECIALTY ITEM

MODEL: Default  
 FILE NAME: \\paulhammon.dot.illinois.gov\PI\DOT\Documents\DOT\_Offices\District 3\Projects\0366L06\CADD\0366L06\_PLANS\_SHEETS.dgn

USER NAME = woodshank1	DESIGNED - RW	REVISED -
	DRAWN - RW	REVISED -
PLOT SCALE = 100,0000' / in.	CHECKED - YP	REVISED -
PLOT DATE = 6/29/2021	DATE - 5/15/2021	REVISED -

**STATE OF ILLINOIS  
DEPARTMENT OF TRANSPORTATION**

**SUMMARY OF QUANTITIES**

SCALE: SHEET 2 OF 3 SHEETS STA. TO STA.

F.A.I. RTE.	SECTION	COUNTY	TOTAL SHEETS	SHEET NO.
80	(32-3)CLV	GRUNDY	16	4
			CONTRACT NO. 66L96	
		ILLINOIS	FED. AID PROJECT	

CODE NO.	ITEM	UNIT	TOTAL QUANTITY	CONSTRUCTION CODE
				CONTRACT MAINTENANCE 100% STATE BOX CULVERT 0004 S.N. 032-2525
X2010505	CLEARING, SPECIAL	L SUM	1	1

MODEL: Default  
 FILE NAME: p:\pub\mroom.dwt\illinois.gov\PWIDOT\Documents\DOT\_Offices\District 3\Projects\0366L06\CADD\0366L06\_PLANS\_SHEETS.dgn

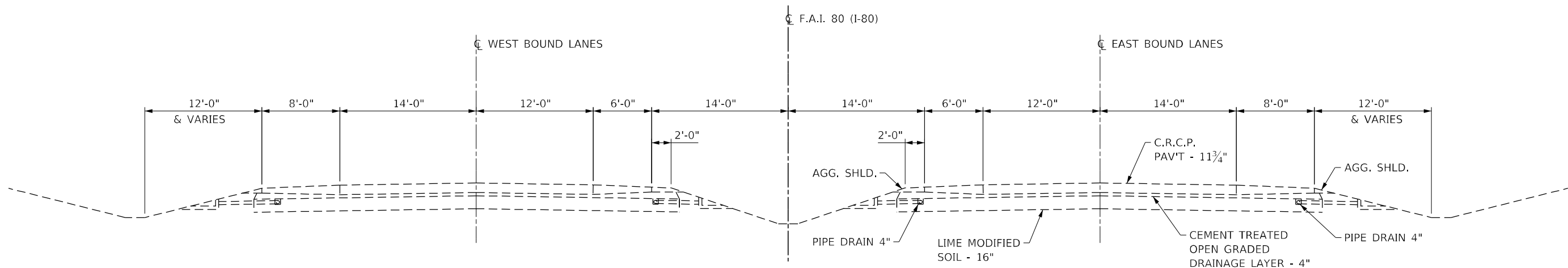
USER NAME = woodshank1	DESIGNED - RW	REVISED -
	DRAWN - RW	REVISED -
PLOT SCALE = 100,0000' / in.	CHECKED - YP	REVISED -
PLOT DATE = 6/29/2021	DATE - 5/15/2021	REVISED -

**STATE OF ILLINOIS  
DEPARTMENT OF TRANSPORTATION**

**SUMMARY OF QUANTITIES**

SCALE: SHEET 3 OF 3 SHEETS STA. TO STA.

F.A.I. RTE.	SECTION	COUNTY	TOTAL SHEETS	SHEET NO.
80	(32-3)CLV	GRUNDY	16	5
CONTRACT NO. 66L96				
ILLINOIS FED. AID PROJECT				



MODEL: Default  
 FILE NAME: p:\pub\mbarrom.dwg  
 PROJECT: I-80/CLV  
 OFFICE: District 3  
 PROJECT: I-80/CLV  
 SHEETS: 16

USER NAME = woodshank1	DESIGNED - RW	REVISED -
	DRAWN - RW	REVISED -
PLOT SCALE = 100,0000' / in.	CHECKED - YP	REVISED -
PLOT DATE = 6/29/2021	DATE - 5/15/2021	REVISED -

**STATE OF ILLINOIS  
 DEPARTMENT OF TRANSPORTATION**

**TYPICAL SECTION**

SCALE: SHEET 1 OF 1 SHEETS STA. TO STA.

F.A.I. RTE.	SECTION	COUNTY	TOTAL SHEETS	SHEET NO.
80	(32-3)CLV	GRUNDY	16	6
CONTRACT NO. 66L96				
ILLINOIS FED. AID PROJECT				

**SCHEDULES - GUARDRAIL**

LOCATION	GUARDRAIL REMOVAL	REMOVE AND REERECT TRAFFIC BARRIER TERMINALS TYPE A	STEEL PLATE BEAM GUARDRAIL 6' POSTS	LONG SPAN GUARDRAIL OVER CULVERT 18' - 9"	GUARDRAIL REFLECTORS TYPE A	LINEAR DELINEATOR PANELS 4 INCH
	FOOT	EACH	FOOT	FOOT	EACH	EACH
EASTBOUND LANES	50	1	6.25	43.75	10	10
WESTBOUND LANES	50	1	6.25	43.75	12	12
<b>TOTALS</b>	<b>100</b>	<b>2</b>	<b>12.5</b>	<b>87.5</b>	<b>22</b>	<b>22</b>

**SCHEDULES - LANDSCAPING**

LOCATION	CLEARING SPECIAL	SEEDING CLASS 2A	NITROGEN FERTILIZER NUTRIENT	PHOSPHOROUS FERTILIZER NUTRIENT	POTASSIUM FERTILIZER NUTRIENT	HEAVY DUTY EROSION CONTROL BLANKET	AGGREGATE SHOULDERS TYPE B
	L SUM	ACRE	POUND	POUND	POUND	SQ YD	TON
EASTBOUND LANES	0.5	0.02	2	2	2	97	10
WESTBOUND LANES	0.5	0.02	2	2	2	97	10
<b>TOTALS</b>	<b>1</b>	<b>0.04</b>	<b>4</b>	<b>4</b>	<b>4</b>	<b>194</b>	<b>20</b>

**SCHEDULES - PAVEMENT MARKING**

LOCATION	PAVEMENT MARKING REMOVAL WATER BLAST	SHORT TERM PAVEMENT MARKING	SHORT TERM PAVEMENT MARKING REMOVAL	POLYUREA PAVEMENT MARKING TYPE I LINE 6"
	SQ FT	FOOT	SQ FT	FOOT
EASTBOUND LANES	250	200	70	500
WESTBOUND LANES	250	200	70	500
<b>TOTALS</b>	<b>500</b>	<b>400</b>	<b>140</b>	<b>1000</b>

**SCHEDULES - TRAFFIC CONTROL**

LOCATION	TRAFFIC CONTROL AND PROTECTION STANDARD 701401 LOCATION 1	TRAFFIC CONTROL AND PROTECTION STANDARD 701401 LOCATION 2	CHANGEABLE MESSAGE SIGN	TRAFFIC CONTROL SURVEILLANCE	TEMPORARY RUMBLE STRIPS (SPECIAL)
	EACH	EACH	CAL DAY	CAL DAY	EACH
EASTBOUND LANES	1		45	15	4
WESTBOUND LANES		1	45	15	4
<b>TOTALS</b>	<b>1</b>	<b>1</b>	<b>90</b>	<b>30</b>	<b>8</b>

MODEL: Default  
 FILE NAME: p:\pub\mbaronm.dwt\illinois.gov\PIWDOT\Documents\DOT Office\GIS\District 3\Projects\ID366\06\CADD\03\ID366\06\LANE SHEETS.dgn

USER NAME = woodshank1	DESIGNED - RW	REVISED -
	DRAWN - RW	REVISED -
PLOT SCALE = 100,0000' / in.	CHECKED - YP	REVISED -
PLOT DATE = 6/29/2021	DATE - 5/15/2021	REVISED -

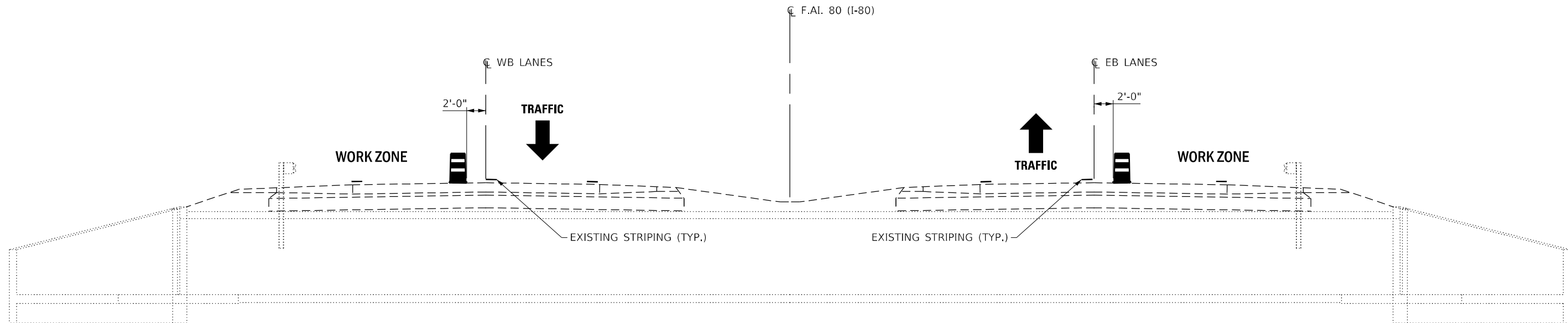
**STATE OF ILLINOIS  
DEPARTMENT OF TRANSPORTATION**

<b>SCHEDULES</b>			
SCALE:	SHEET 1 OF 1 SHEETS	STA.	TO STA.

F.A.I. RTE. 80	SECTION (32-3)CLV	COUNTY GRUNDY	TOTAL SHEETS 16	SHEET NO. 7
			CONTRACT NO. 66L96	
ILLINOIS FED. AID PROJECT				

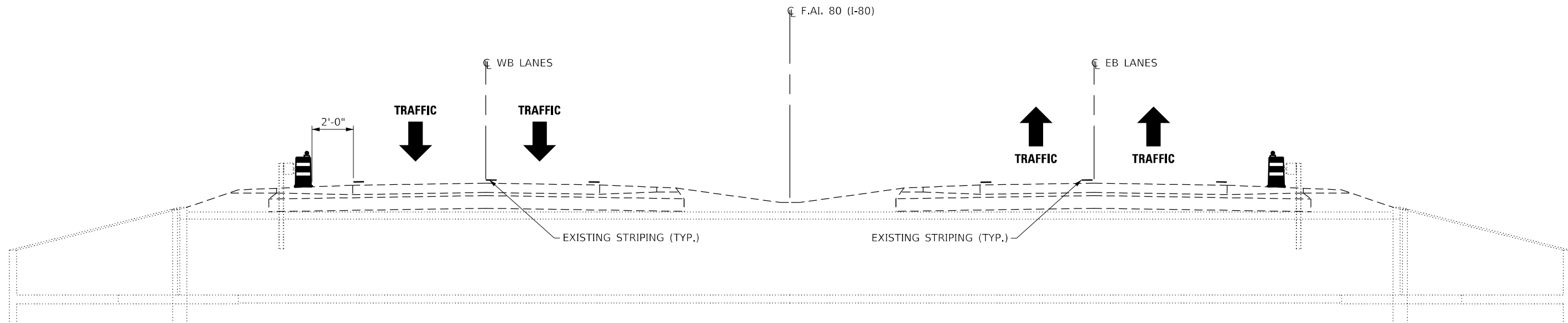






**LANE CLOSURE FOR WORKING DURING NIGHTTIME HOURS**

TRAFFIC CONTROL AND PROTECTION, STANDARD 701401



**SHOULDER CLOSURE FOR "NON-WORKING" DAY TIME HOURS**

TRAFFIC CONTROL AND PROTECTION, 701101

MODEL: Default  
 FILE NAME: p:\pub\mroom.dwt\illinois.gov\PIWDOT\Documents\DOT\_Offices\District\_3\Projects\I366L96\CADD\366L96\_PLANS\_SHEETS.dgn  
 PROJECT: I366L96

USER NAME = woodshank1	DESIGNED - RW	REVISED -
DRAWN - RW	REVISIONS -	
PLOT SCALE = 100,0000' / in.	CHECKED - YP	REVISIONS -
PLOT DATE = 6/29/2021	DATE - 5/15/2021	REVISIONS -

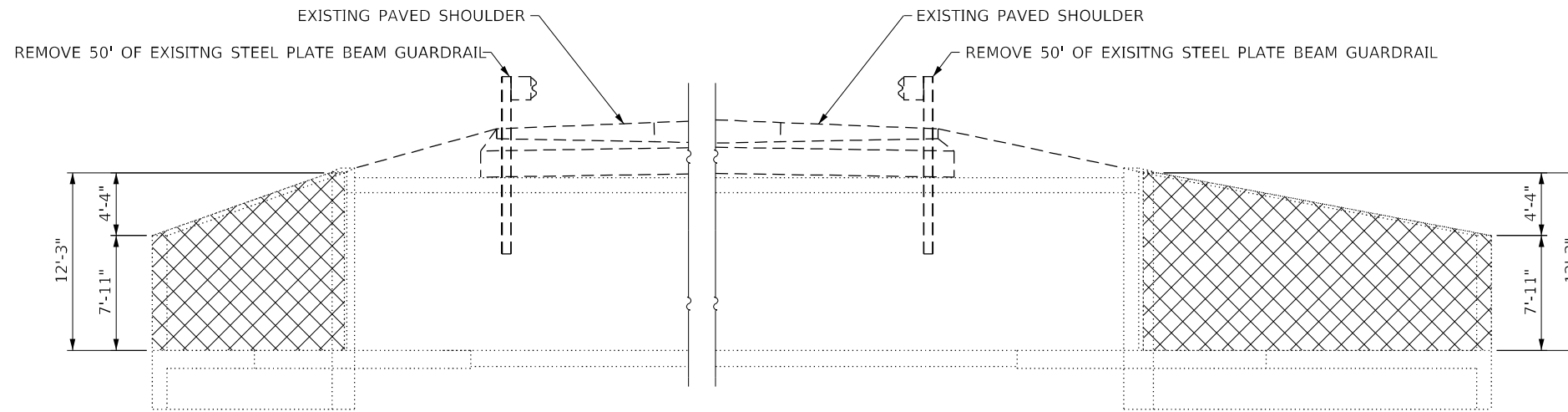
**STATE OF ILLINOIS  
DEPARTMENT OF TRANSPORTATION**

**TRAFFIC CONTROL AND PROTECTION**

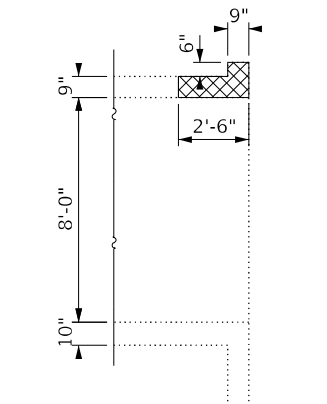
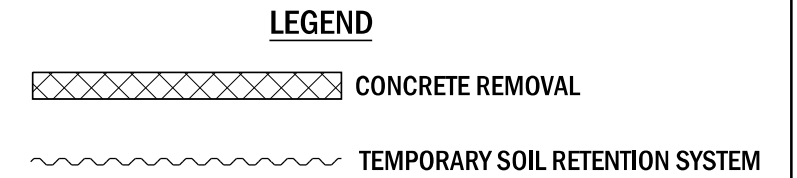
SCALE: SHEET 1 OF 1 SHEETS STA. TO STA.

F.A.I. RTE. 80	SECTION (32-3)CLV	COUNTY GRUNDY	TOTAL SHEETS 16	SHEET NO. 9
CONTRACT NO. 66L96				
ILLINOIS FED. AID PROJECT				

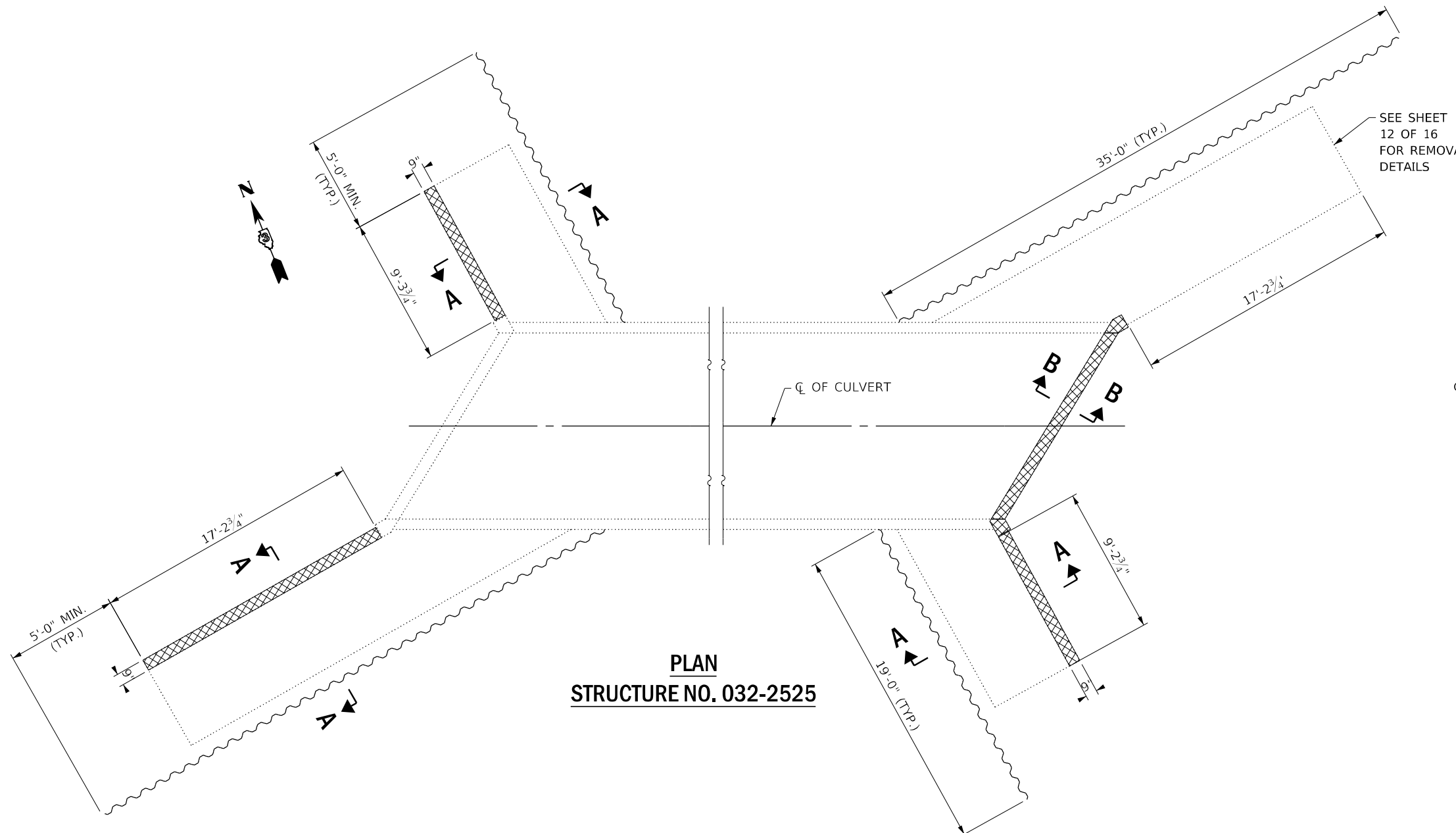




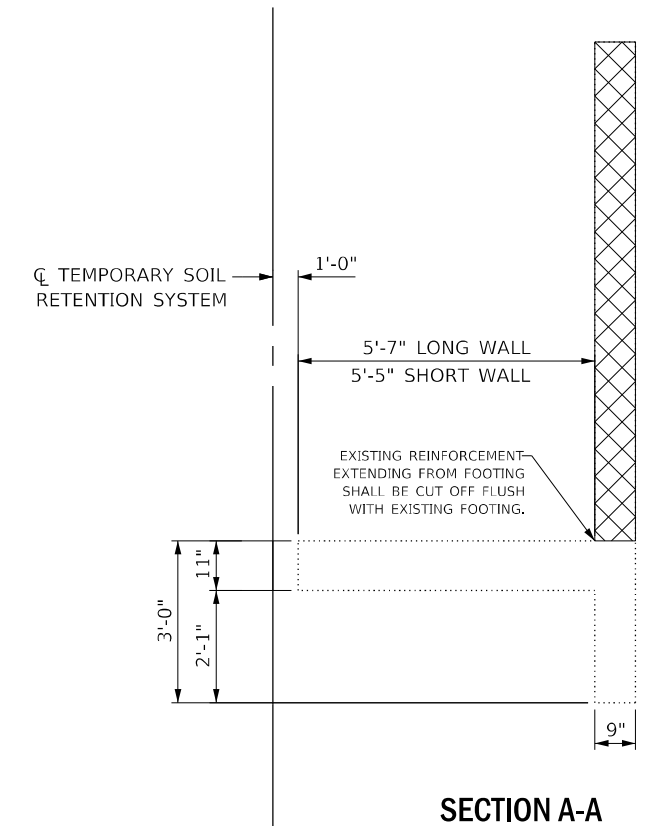
**ELEVATION**



**SECTION B-B**  
DOWNSTREAM HEADWALL ONLY



**PLAN**  
**STRUCTURE NO. 032-2525**



**SECTION A-A**

**STATE OF ILLINOIS**  
**DEPARTMENT OF TRANSPORTATION**

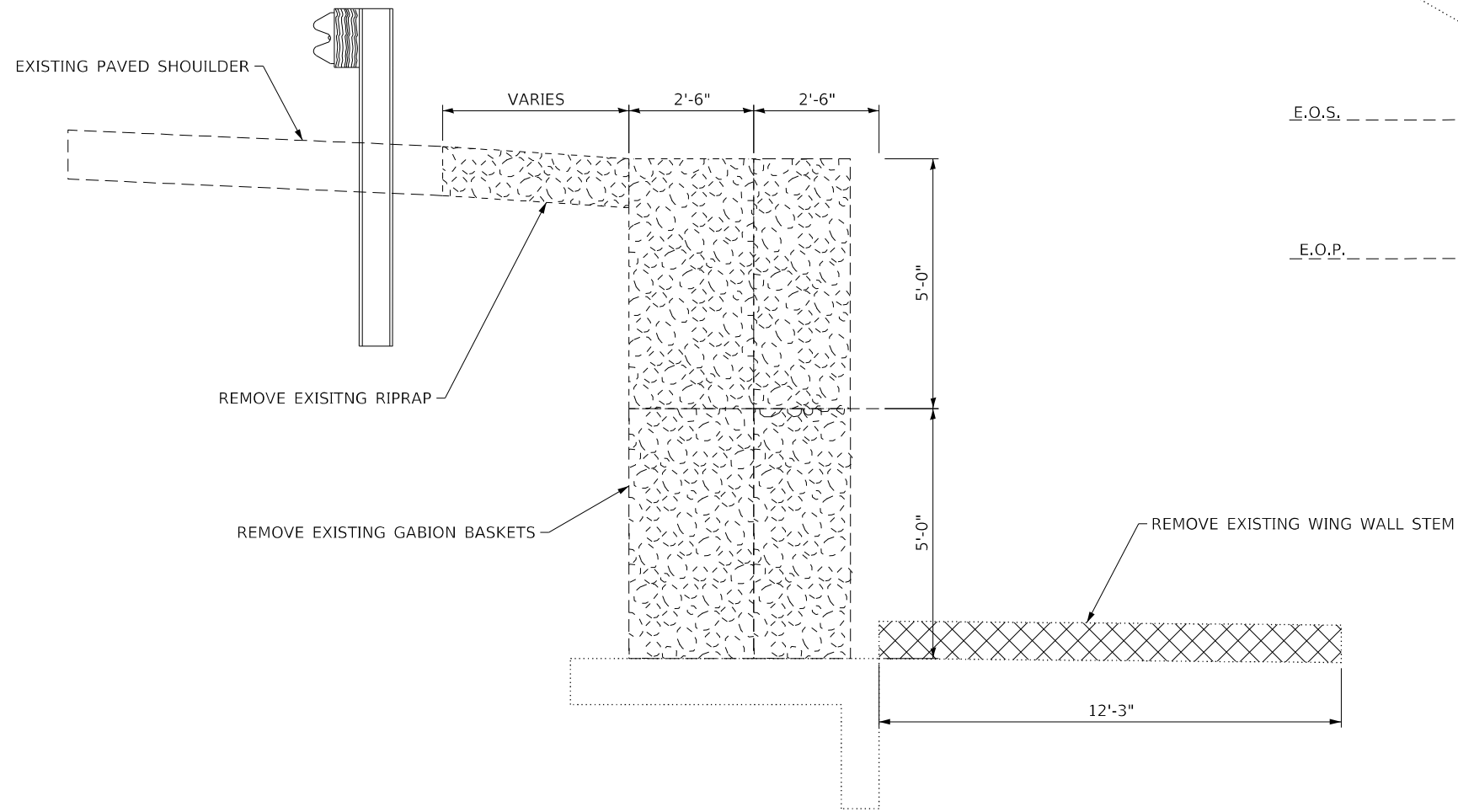
**REMOVAL DETAILS**

USER NAME = woodshank1	DESIGNED - RW	REVISED -
	DRAWN - RW	REVISED -
PLOT SCALE = 100,0000' / in.	CHECKED - YP	REVISED -
PLOT DATE = 9/29/2021	DATE - 5/15/2021	REVISED -

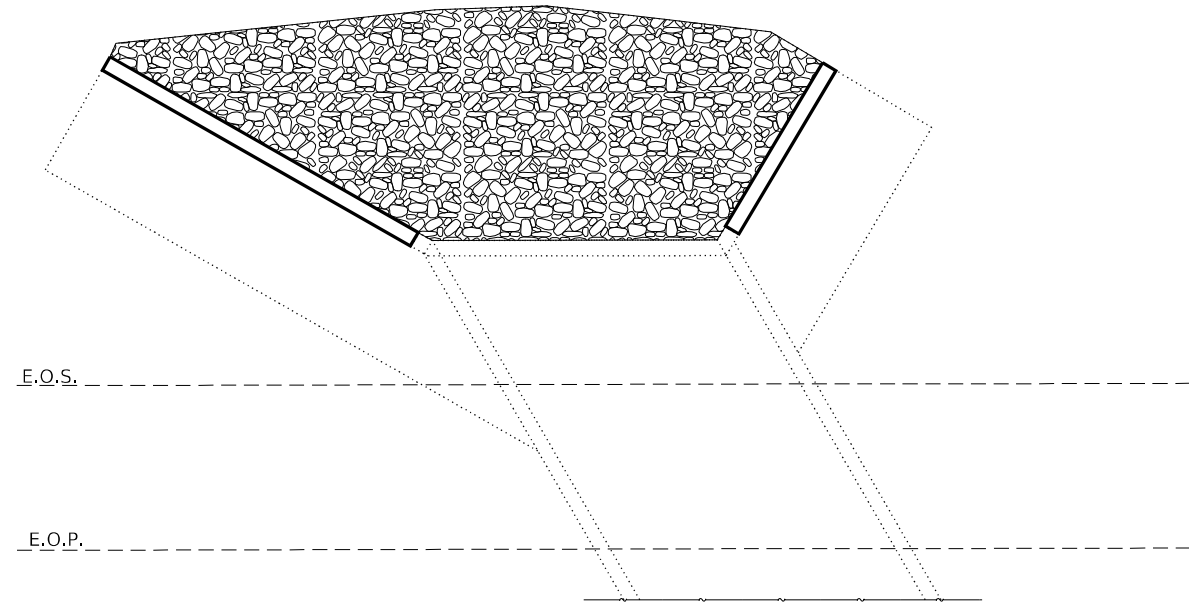
SCALE: SHEET 1 OF 2 SHEETS STA. TO STA.

F.A.I. RTE. 80	SECTION (32-3)CLV	COUNTY GRUNDY	TOTAL SHEETS 16	SHEET NO. 11
CONTRACT NO. 66L96				
ILLINOIS FED. AID PROJECT				

MODEL: Default  
 FILE NAME: p:\project-cw-beadefy.com\FWIDOT\Documents\DOT Office\Director\_3\Project\03666666\CADD\36666666\PLANS SHEETS.dgn  
 PROJECT: 03666666



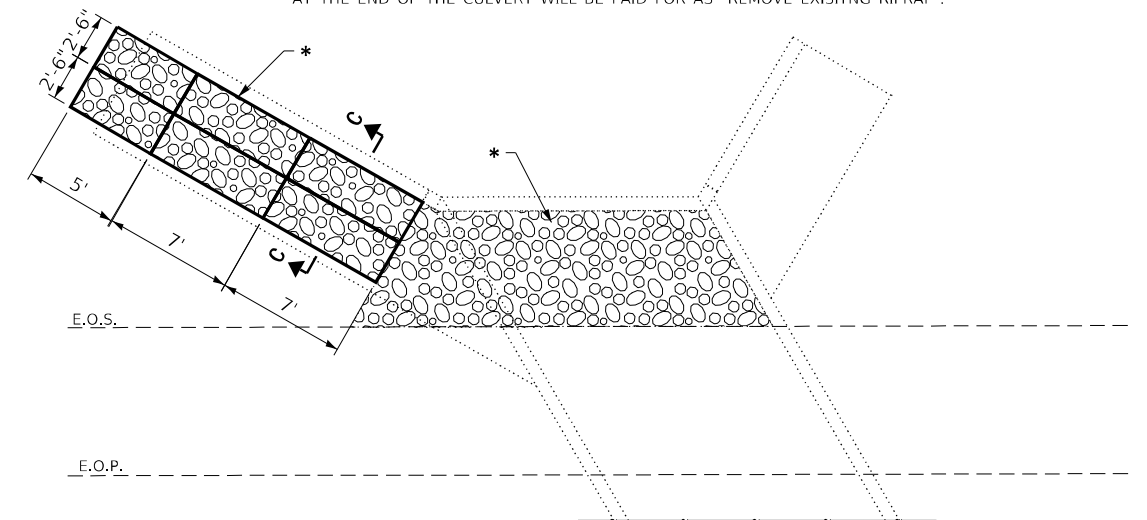
**SECTION C-C**



**PLAN  
SOUTHEAST WING WALL  
PROPOSED PLAN**

- \* — REMOVE AND RELOCATE EXISTING GABION BASKETS AND RIPRAP.
- 1. EXISTING WIRE CAGE SHALL BE REMOVED AND DISPOSED OF OFF THE RIGHT OF WAY.
- 2. THE RIPRAP FROM THE GABION BASKETS AND ADDITIONAL SLOPE RIPRAP SHALL BE RELOCATED TO THE DOWNSTREAM END OF THE CULVERT.
- 3. THE RIPRAP SHALL BE PLACED IN A UNIFORM MANNER LEAVING NO DEPRESSIONS OR MOUNDS AT THE DIRECTION OF THE ENGINEER.

THE REMOVAL AND DISPOSAL OF THE WIRE CAGE, REMOVAL AND PLACEMENT OF THE RIPRAP AT THE END OF THE CULVERT WILL BE PAID FOR AS "REMOVE EXISTING RIPRAP".



**PLAN  
SOUTHEAST WING WALL  
EXISTING PLAN**

MODEL: Default  
 FILE NAME: p:\pub\harrington.dwg  
 PROJECT: I:\projects\366L96\366L96\366L96\PLANS SHEETS.dwg  
 OFFICE: District 3  
 DATE: 6/29/2021

USER NAME = woodshank1	DESIGNED - RW	REVISED -
	DRAWN - RW	REVISED -
PLOT SCALE = 100,0000' / in.	CHECKED - YP	REVISED -
PLOT DATE = 6/29/2021	DATE - 5/15/2021	REVISED -

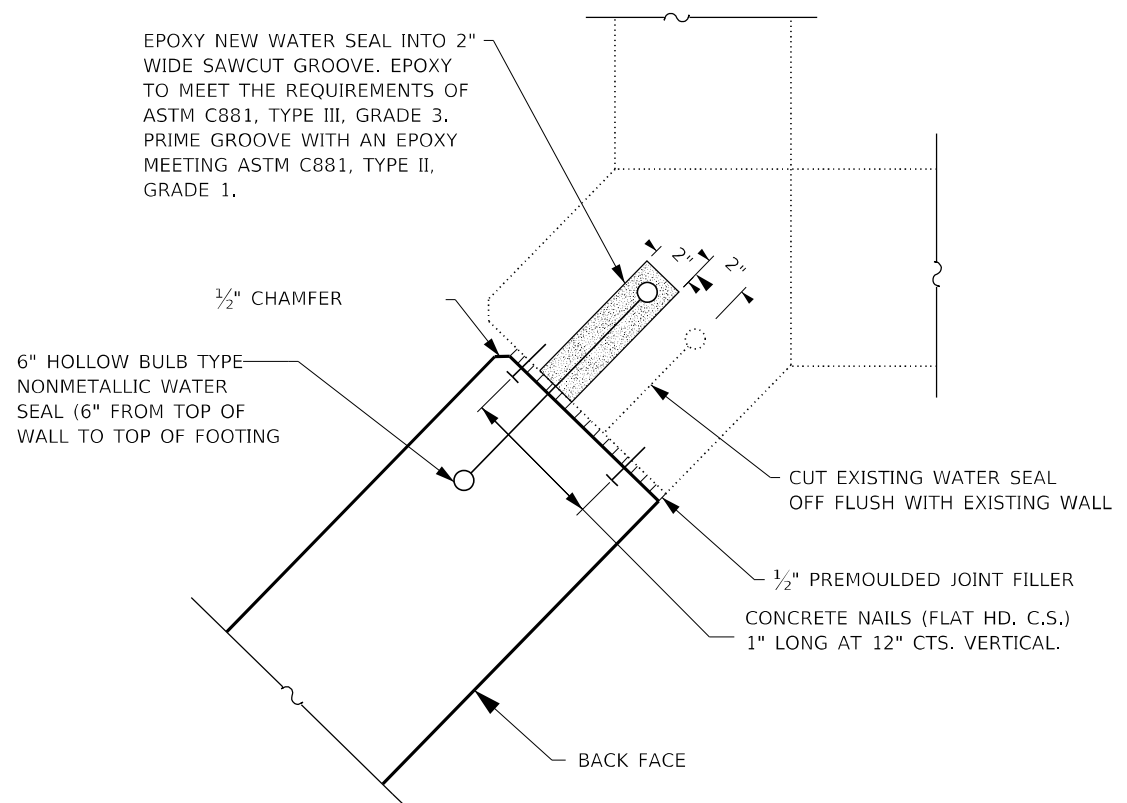
**STATE OF ILLINOIS  
DEPARTMENT OF TRANSPORTATION**

**REMOVAL DETAILS  
SOUTHEAST WING WALL**

SCALE: SHEET 2 OF 2 SHEETS STA. TO STA.

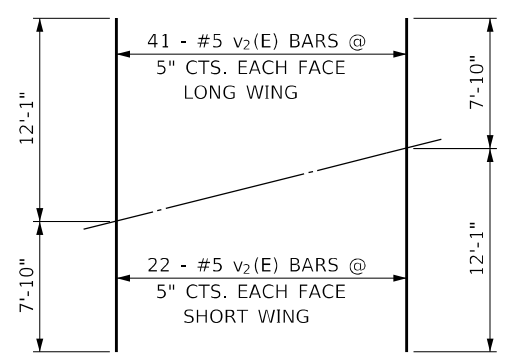
F.A.I. RTE.	SECTION	COUNTY	TOTAL SHEETS	SHEET NO.
80	(32-3)CLV	GRUNDY	16	12
CONTRACT NO. 66L96			ILLINOIS FED. AID PROJECT	





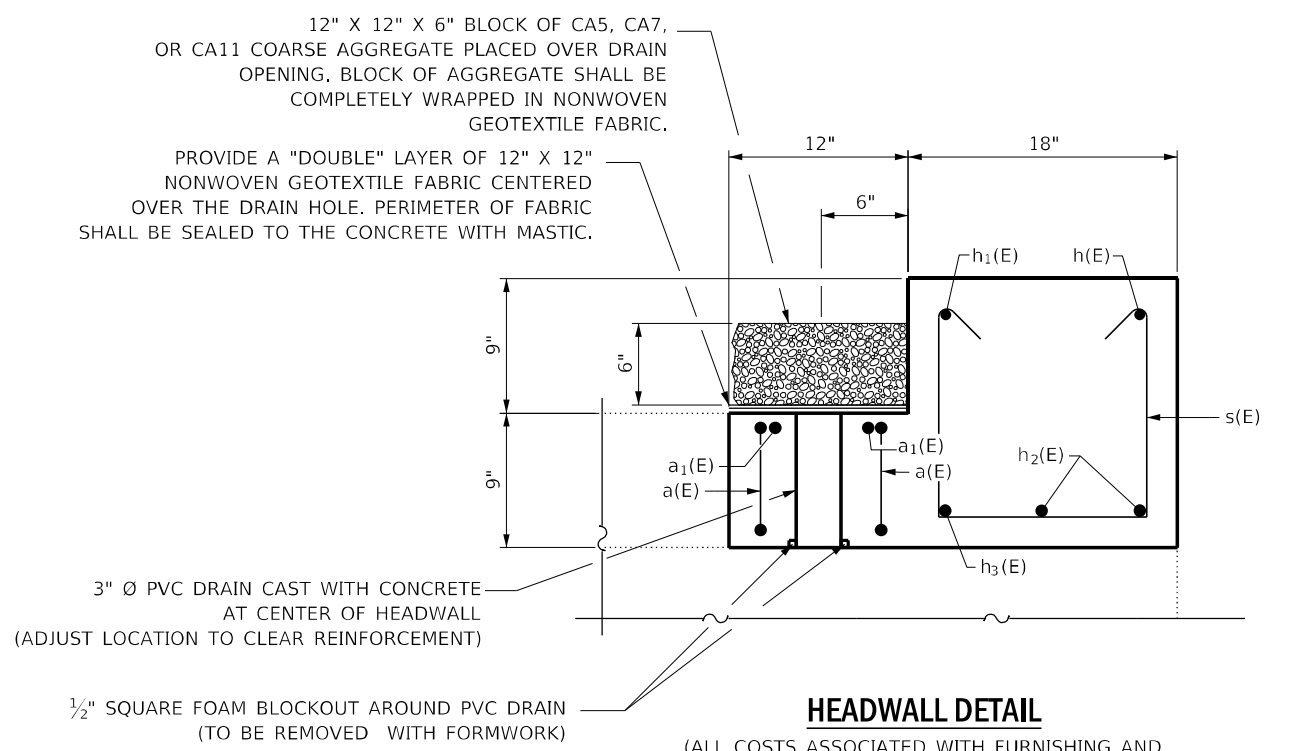
**JOINT DETAIL**

COST OF FURNISHING AND INSTALLING THE BULB TYPE WATERSEAL (INCLUDING GROOVING EXISTING CONCRETE HEADWALL, BULB WATERSEAL, NAILS AND PREMOULDED JOINT FILLER) SHALL BE INCLUDED IN THE COST OF "CONCRETE BOX CULVERTS".



**FIELD CUTTING DIAGRAM**

ORDER BARS FULL LENGTH. CUT AS SHOWN AND USE REMAINDER OF BARS IN OPPOSITE WINGWALL.



**HEADWALL DETAIL**

(ALL COSTS ASSOCIATED WITH FURNISHING AND CONSTRUCTING THE ABOVE DRAIN DETAIL WILL NOT BE MEASURED FOR PAYMENT BUT SHALL BE INCLUDED IN THE CONTRACT UNIT PRICE FOR CONCRETE BOX CULVERT.)

MODEL: Default FILE NAME: p:\pub\mroom.dwt\illinc\pww\DOT\Documents\DOT Office\Drawings\3\Projects\0366\06\CADD\0366\06\PLANS SHEETS.dwg

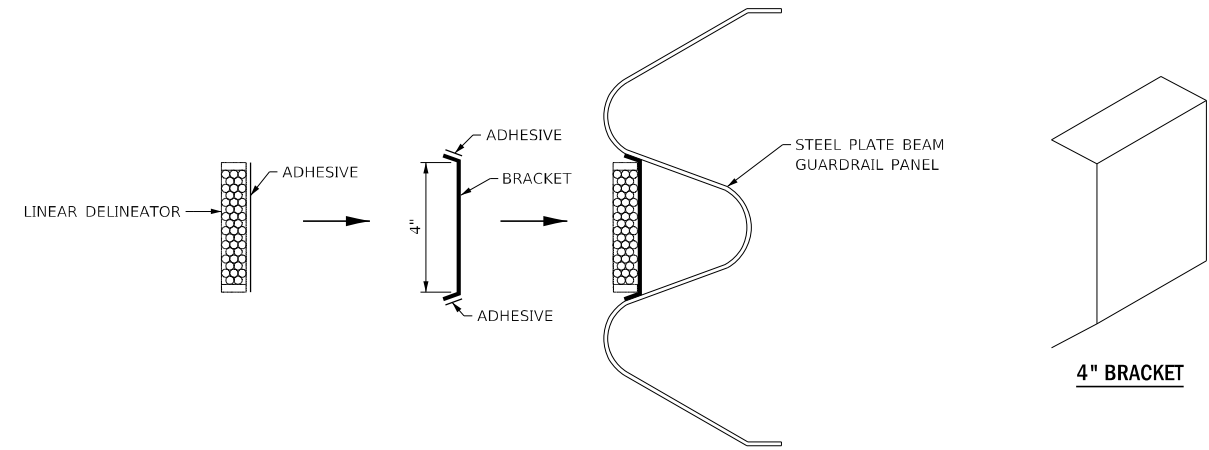
USER NAME = woodshank1	DESIGNED - RW	REVISED -
	DRAWN - RW	REVISED -
PLOT SCALE = 100,0000' / in.	CHECKED - YP	REVISED -
PLOT DATE = 6/29/2021	DATE - 5/15/2021	REVISED -

**STATE OF ILLINOIS  
DEPARTMENT OF TRANSPORTATION**

**CULVERT DETAILS**

SCALE: SHEET 2 OF 2 SHEETS STA. TO STA.

F.A.I. RTE. 80	SECTION (32-3)CLV	COUNTY GRUNDY	TOTAL SHEETS 16	SHEET NO. 14
CONTRACT NO. 66L96				
ILLINOIS FED. AID PROJECT				



**LINEATOR DELINEATOR APPLICATION TO STANDARD GALVANIZED GUARDRAIL**

LINEATOR DELINEATOR SHALL BE APPLIED ACCORDING TO THE MANUFACTURER'S RECOMMENDATIONS

MODEL: Default  
FILE NAME: p:\pub\mroom.dwt\illinois\pww\DOT\Documents\DOT\_Offices\District 3\Projects\ID366L06\CADD\BID\366L06\_PLANS\_SHEETS.dwg

USER NAME = woodshank1	DESIGNED - RW	REVISED -
	DRAWN - RW	REVISED -
PLOT SCALE = 100,0000' / in.	CHECKED - YP	REVISED -
PLOT DATE = 6/29/2021	DATE - 5/15/2021	REVISED -

**STATE OF ILLINOIS  
DEPARTMENT OF TRANSPORTATION**

**LINEATOR DELINEATOR PANELS, 4 INCH**

SCALE: SHEET 1 OF 1 SHEETS STA. TO STA.

F.A.I. RTE.	SECTION	COUNTY	TOTAL SHEETS	SHEET NO.
80	(32-3)CLV	GRUNDY	16	15
CONTRACT NO. 66L96				
ILLINOIS FED. AID PROJECT				

