

STATE OF ILLINOIS
DEPARTMENT OF TRANSPORTATION

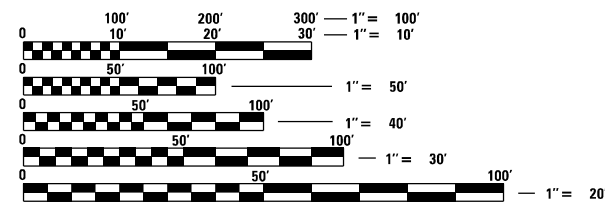
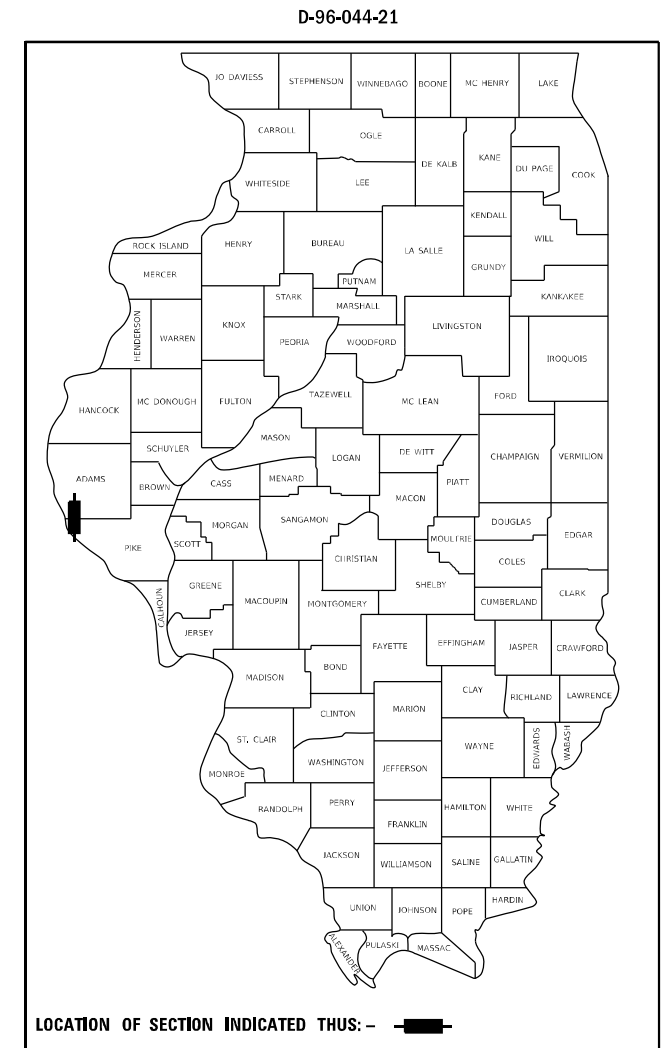
F.A.I. RTE.	SECTION	COUNTY	TOTAL SHEETS	SHEET NO.
172	(1-2HB) BDR, BJR	ADAMS	6	1
		ILLINOIS	CONTRACT NO. 72M93	

FOR INDEX OF SHEETS, SEE SHEET NO. 2

PROPOSED CONTRACT MAINTENANCE

FAI ROUTE 172 (I-172)
SECTION (1-2HB) BDR, BJR
PROJECT (STATE ONLY)
BRIDGE DECK REPAIRS
ADAMS COUNTY

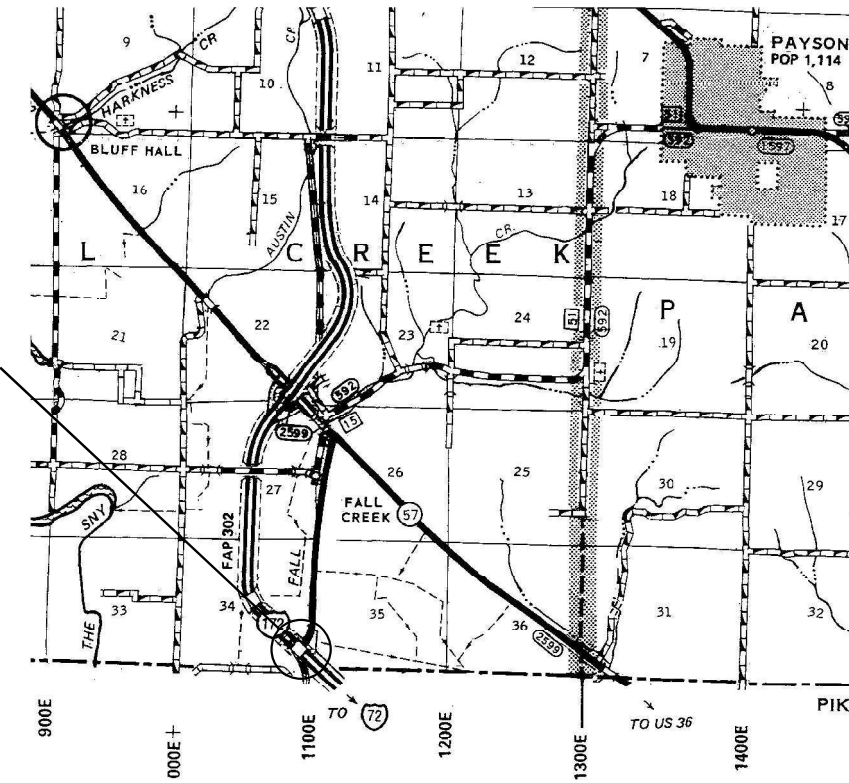
C-96-115-21



FULL SIZE PLANS HAVE BEEN PREPARED USING STANDARD ENGINEERING SCALES, REDUCED SIZED PLANS WILL NOT CONFORM TO STANDARD SCALES. IN MAKING MEASUREMENTS ON REDUCED PLANS, THE ABOVE SCALES MAY BE USED.

J.U.L.I.E.
JOINT UTILITY LOCATION INFORMATION FOR EXCAVATORS
1-800-892-0123
OR 811

PROJECT LOCATION
SN 001-0069
OR 79 OVER I-172
2.2 MI S IL 57



BRIDGE MAINTENANCE ENGINEER: BRANDON DUDLEY - (217) 785-9290

GROSS LENGTH = 287 FT. = 0.05 MILE
NET LENGTH = 287 FT. = 0.05 MILE

CONTRACT NO. 72M93

STATE OF ILLINOIS
DEPARTMENT OF TRANSPORTATION

SUBMITTED August 4, 2021

John P. Myer
REGIONAL ENGINEER

October 1, 2021

Stephen M. Smith
ENGINEER OF DESIGN AND ENVIRONMENT

October 2, 2021

Stephen M. Smith
DIRECTOR OF HIGHWAYS PROJECT IMPLEMENTATION

PRINTED BY THE AUTHORITY
OF THE STATE OF ILLINOIS

INDEX OF SHEETS


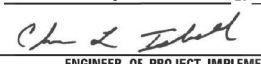
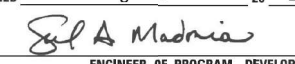
- 1 COVER SHEET
- 2 INDEX, STANDARDS, SIGNATURES, & GENERAL NOTES
- 3 SUMMARY OF QUANTITIES
- 4-6 SN 001-0069 BRIDGE PLANS

GENERAL NOTES:

AREAS OF DECK REPAIRS SHOWN ARE ESTIMATED. THE ENGINEER SHALL SHOW ACTUAL LOCATIONS ON AS-BUILT PLANS.

STANDARDS

- 000001-08
- 001001-02
- 001006
- 701001-02
- 701006-05
- 701101-05
- 701106-02
- 701400-10
- 701401-12
- 701901-08
- BLR 21-9

STATE OF ILLINOIS DEPARTMENT OF TRANSPORTATION DIVISION OF HIGHWAYS DISTRICT 6	
EXAMINED	July 26 20 21
 ENGINEER OF OPERATIONS	
EXAMINED	July 26 20 21
 ENGINEER OF PROJECT IMPLEMENTATION	
EXAMINED	August 3 20 21
 ENGINEER OF PROGRAM DEVELOPMENT	

MODEL: D:\p\h\...
FILE NAME: C:\OPERATIONS\Bridges\Bridges\BDR_CAD\72M93 - 0010069_patch\plan\bar\sect.dgn

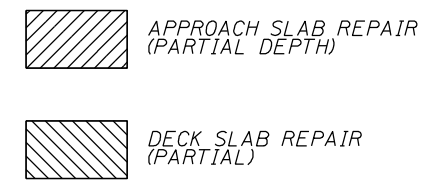
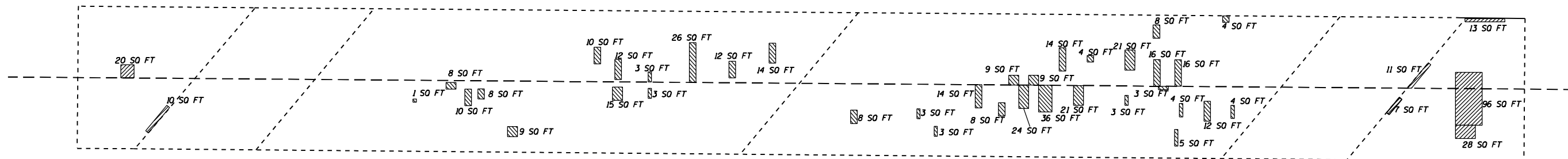
USER NAME = dudleybm	DESIGNED -	REVISED -
	DRAWN -	REVISED -
PLOT SCALE = 100,0000' / in.	CHECKED -	REVISED -
PLOT DATE = 8/4/2021	DATE -	REVISED -

**STATE OF ILLINOIS
DEPARTMENT OF TRANSPORTATION**

**INDEX, STANDARDS,
GENERAL NOTES, & SIGNATURES**

SCALE: SHEET OF SHEETS STA. TO STA.

F.A.I. RTE.	SECTION	COUNTY	TOTAL SHEETS	SHEET NO.
172	(1-2HB) BDR, BJR	ADAMS	6	2
			CONTRACT NO. 72M93	
ILLINOIS FED. AID PROJECT				



PATCHING BILL OF MATERIAL

ITEM	UNIT	QUANTITY
Deck Slab Repair (Partial)	Sq. Yd.	111
Approach Slab Repair (Partial Depth)	Sq. Yd.	8
Deck Slab Repair (Full Depth, Type II) *	Sq. Yd.	5
Joint Sealing (Patches)	FOOT	1112

* No FD patches anticipated, nominal quantity included

NOTE:

AREAS OF DECK REPAIRS SHOWN ARE ESTIMATED. THE ENGINEER SHALL SHOW ACTUAL LOCATIONS OF DECK REPAIRS ON AS-BUILT PLANS.

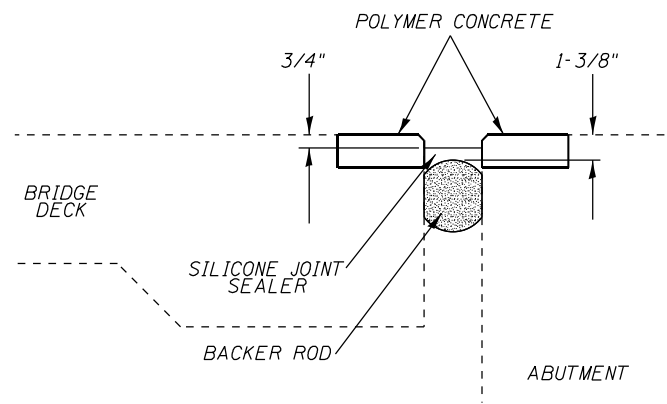
MODEL: Default
FILE NAME: C:\OPERATIONS\Bridges\BDR\BDR_CAD\72M93 - 0010669_patchbillplan.dwg

USER NAME = dudleybm	DESIGNED -	REVISED -
PLOT SCALE = 100,0000' / in.	DRAWN -	REVISED -
PLOT DATE = 8/4/2021	CHECKED -	REVISED -
	DATE -	REVISED -

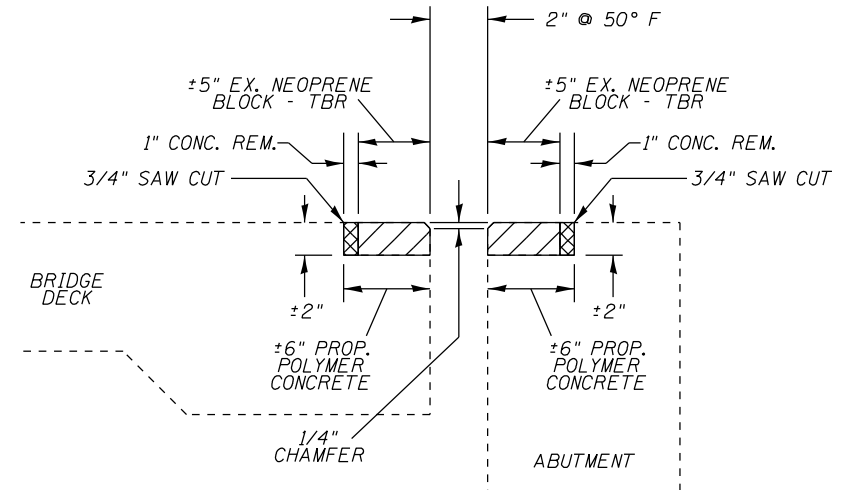
**STATE OF ILLINOIS
DEPARTMENT OF TRANSPORTATION**

SLAB REPAIR PLAN SN 001-0069			
SCALE:	SHEET 2	OF 3	SHEETS
	STA.		TO STA.

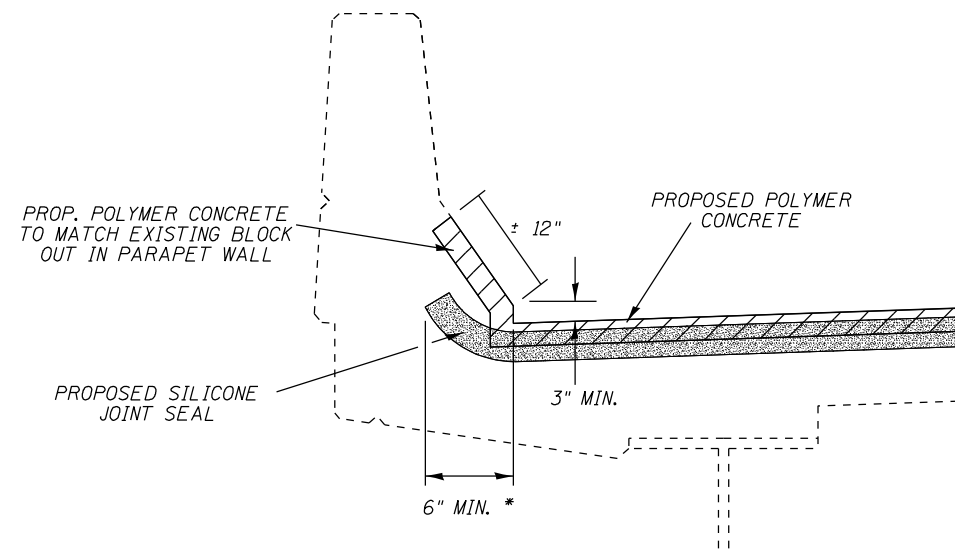
F.A.I. RTE.	SECTION	COUNTY	TOTAL SHEETS	SHEET NO.
172	(1-2HB) BDR, BJR	ADAMS	6	5
			CONTRACT NO. 72M93	
ILLINOIS FED. AID PROJECT				



SECTION A-A:
SILICONE JOINT SEALER DETAIL



SECTION A-A
PROPOSED POLYMER CONCRETE
CROSS SECTION



TYPICAL PARAPET CROSS SECTION:
JOINT SEALER END TREATMENT

NOTES:

- 1/4" CHAMFER MAY BE ACHIEVED BY GRINDING AFTER POLYMER CONCRETE HAS CURED.
- REMOVAL OF EXISTING NEOPRENE EXPANSION JOINTS SHALL BE INCLUDED IN THE COST OF CONCRETE REMOVAL.
- ANY STEEL ANCHORING STUDS ENCOUNTERED IN THE NEOPRENE JOINT REMOVAL AREA SHALL BE CUT OFF FLUSH WITH THE EXISTING CONCRETE. COST TO BE INCLUDED IN THE BID PRICE FOR CONCRETE REMOVAL.
- JOINT WIDTHS SPECIFIED IN PLANS ARE AT 50° F. THE CONTRACTOR SHALL INSTALL BACKER ROD HAVING A DIAMETER 25% GREATER THAN THE JOINT OPENING AT THE TIME OF INSTALLATION.

JOINT REPAIR BILL OF MATERIAL

ITEM	UNIT	QUANTITY
Polymer Concrete	Cu. Ft.	8
Silicone Joint Sealer, 2"	Foot	46
Concrete Removal	Cu. Yd.	0.1

MODEL: Default
FILE NAME: C:\OPERATIONS\Bridges\Bridges\BDR_CAD\72M93 - 0010669_patch\jbrbarsect.dwg

USER NAME = dudleybm	DESIGNED -	REVISED -
PLOT SCALE = 100,0000' / in.	DRAWN -	REVISED -
PLOT DATE = 8/4/2021	CHECKED -	REVISED -
	DATE -	REVISED -

STATE OF ILLINOIS
DEPARTMENT OF TRANSPORTATION

JOINT REPAIR DETAILS
SN 001-0069

SCALE: SHEET 3 OF 3 SHEETS STA. TO STA.

F.A.I. RTE.	SECTION	COUNTY	TOTAL SHEETS	SHEET NO.
172	(1-2HB) BDR, BJR	ADAMS	6	6
ILLINOIS FED. AID PROJECT			CONTRACT NO. 72M93	