

STATE OF ILLINOIS
DEPARTMENT OF TRANSPORTATION

F.A.P. RTE	SECTION	COUNTY	TOTAL SHEETS	SHEET NO.
132	102B-1	MASSAC	13	1
		ILLINOIS	CONTRACT NO. 78829	

FOR INDEX OF SHEETS, SEE SHEET NO. 3

FOR SUMMARY OF QUANTITIES, SEE SHEET NO. 4 - 6

PROPOSED HIGHWAY PLANS

F.A.P. ROUTE 132 (IL 145)
SECTION 102B-1
PROJECT STP-4LN4(874)
BOX CULVERT REPLACEMENT
MASSAC COUNTY

C-99-012-21

TRAFFIC DATA

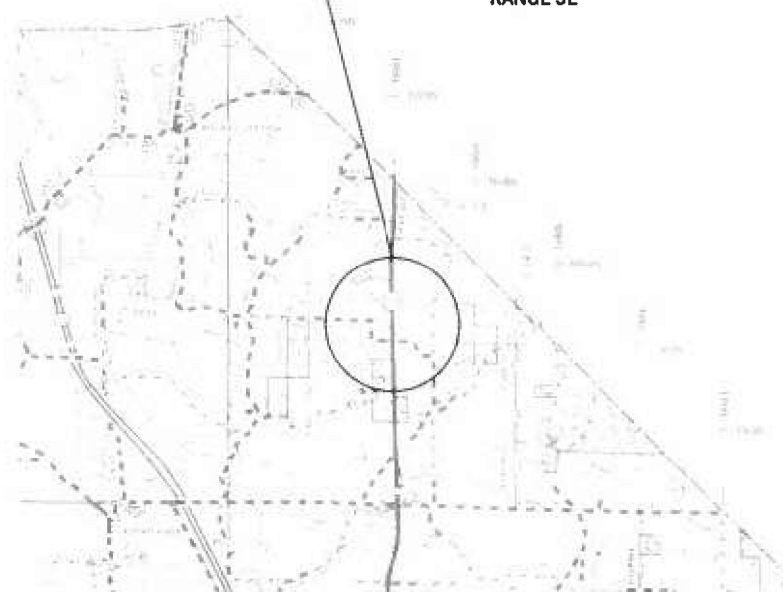
2019 ADT = 2,050
WITH 17.1% TRUCKS
SPEED LIMIT: 55 MPH

TOWNSHIP
BENTON PRECINCT

IMPROVEMENT LOCATION
STRUCTURE 064-7027 (E)
STRUCTURE 064-7044 (P)
IL 145 OVER DITCH

RANGE 5E

TOWNSHIP 14S



COORDINATE SYSTEM: NAD 1983 STATE PLANE ILLINOIS EAST

POSTED SPEED: 55 MPH

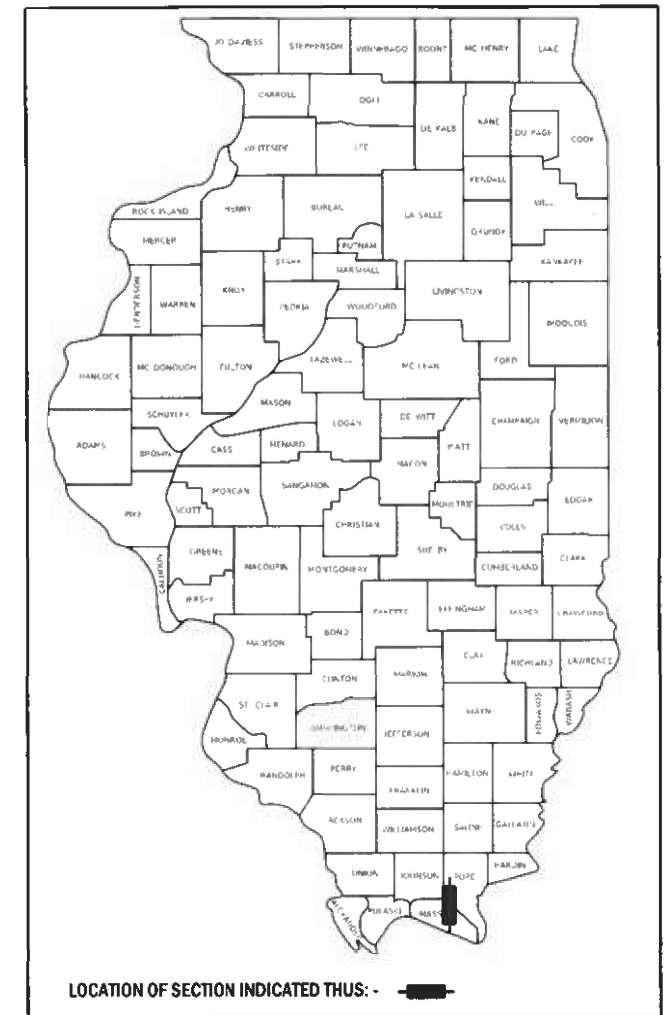
J.U.L.I.E.
JOINT UTILITY LOCATION INFORMATION FOR EXCAVATION
1-800-892-0123
OR 811

PROJECT ENGINEER: GRANT DETERDING
PROJECT MANAGER: ADRIAN ADAMS

GROSS LENGTH = 65.00 FT. = 0.012 MILE
NET LENGTH = 65.00 FT. = 0.012 MILE

CONTRACT NO. 78829

D-99-004-21



STATE OF ILLINOIS
DEPARTMENT OF TRANSPORTATION

SUBMITTED 08-06-2021
K.P.
REGION FIVE ENGINEER

October 1, 2021
[Signature]
ENGINEER OF DESIGN AND ENVIRONMENT

October 21, 2021
Stephen M. Lewis
DIRECTOR OF HIGHWAYS PROJECT IMPLEMENTATION

PRINTED BY THE AUTHORITY
OF THE STATE OF ILLINOIS

\\p10001\work\go.illinois.gov\FWDOT\Documents\DOT_Offices\District_912\proj\1618829\CADD\at\CA\District9_78829_Plan_Sheets.dgn

Prepared By: Charles Stein
DISTRICT STUDIES & PLANS ENGINEER

Examined By: Nancy Lee
DISTRICT LAND ACQUISITION ENGINEER

Examined By: Car Nelson
DISTRICT PROGRAM DEVELOPMENT ENGINEER

Examined By: R. Cass
DISTRICT OPERATIONS ENGINEER

Examined By: K.R. De
DISTRICT PROJECT IMPLEMENTATION ENGINEER

Examined By: Douglas J. Mehlis
DISTRICT CONSTRUCTION ENGINEER

Examined By: R. Cass
DISTRICT MATERIALS ENGINEER

USER NAME = adamsam	DESIGNED - _____	REVISED - _____
	DRAWN - _____	REVISED - _____
PLOT SCALE = 100.0000' / in.	CHECKED - _____	REVISED - _____
PLOT DATE = 7/14/2021	DATE - _____	REVISED - _____

**STATE OF ILLINOIS
DEPARTMENT OF TRANSPORTATION**

SIGNATURES SHEET

SCALE: _____ SHEET ____ OF ____ SHEETS STA. _____ TO STA. _____

F.A.P. RTE.	SECTION	COUNTY	TOTAL SHEETS	SHEET NO.
132	102B-1	MASSAC	13	2
CONTRACT NO. 78829				
ILLINOIS FED. AID PROJECT				

GENERAL NOTES

- 1) FACTORS USED FOR ESTIMATING PLAN QUANTITIES ARE AS FOLLOWS AND SHALL NOT BE USED FOR THE BASIS OF FINAL QUANTITIES:
- | | |
|---------------|-----------------|
| ALL AGGREGATE | 2.05 TONS/CU YD |
| RIPRAP | 1.50 TONS/CU YD |
- 2) AT ALL LOCATIONS WHERE EXISTING HOT-MIX ASPHALT OR CONCRETE PAVEMENT JOINS AN EXISTING HOT-MIX ASPHALT OR CONCRETE PAVEMENT, A FULL DEPTH SAWED JOINT SHALL BE CONSTRUCTED. THE COST OF THIS JOINT WILL BE INCLUDED IN THE COST OF THE TYPE OF PAVEMENT BEING CONSTRUCTED.
- 3) A CALCIUM CHLORIDE ACCELERATOR WILL BE ALLOWED FOR THE PCC PAVEMENT, 10", AND PCC SHOULDERS, 8". THE CONCRETE SHALL BE CLASS PP-1 OR PP-2 PER ARTICLE 1020.

INDEX OF SHEETS

1	COVER SHEET
2	SIGNATURES SHEET
3	GENERAL NOTES, INDEX OF SHEETS, AND STANDARDS
4-6	SUMMARY OF QUANTITIES
7	SCHEDULES
8	GENERAL PLAN
9	TEMPORARY AND FINAL SECTIONS
10	LIMITS OF POROUS GRANULAR EMBANKMENT AND TYPICAL SECTION WITHIN PAVEMENT REMOVAL
11-12	PRECAST CONCRETE BOX CULVERT APRON END SECTION DETAILS
13	DISTRICT STANDARDS

COMMITMENTS

NONE

STANDARDS

000001-08	STANDARD SYMBOLS, ABBREVIATIONS AND PATTERNS
001001-02	AREAS OF REINFORCEMENT BARS
001006	DECIMAL OF AN INCH AND OF A FOOT
420001-09	PAVEMENT JOINTS
420701-03	PAVEMENT WELDED WIRE REINFORCEMENT
701001-02	OFF-RD OPERATIONS, 2L, 2W, MORE THAN 15' AWAY
701006-05	OFF-RD OPERATIONS, 2L, 2W, 15' TO 24" FROM PAVEMENT EDGE
701201-05	LANE CLOSURE, 2L, 2W, DAY ONLY, FOR SPEEDS \geq 45 MPH
701316-13	LANE CLOSURE, 2L, 2W, BRIDGE REPAIR, FOR SPEEDS \geq 45 MPH
701901-08	TRAFFIC CONTROL DEVICES
780001-05	TYPICAL PAVEMENT MARKINGS
862001-01	UNINTERRUPTABLE POWER SUPPLY
BLR 21-9	TYPICAL APPLICATION OF TRAFFIC CONTROL DEVICES FOR CONSTRUCTION ON RURAL LOCAL HIGHWAYS
280001-07	TEMPORARY EROSION CONTROL SYSTEMS
704001-08	TEMPORARY CONCRETE BARRIER
782006-01	GUARDRAIL AND BARRIER WALL REFLECTOR MOUNTING DETAILS

REV. - MS

MODEL: Default
FILE NAME: p:\v\l\lroom.dor\illinois.gov\FWIDOT\Documents\DOT_Offices\District_9\Projects\78829\CAD\Draws\CADsheets\09-78829-Plan_Sheets.dgn

USER NAME = adamsam	DESIGNED -	REVISED -
PLOT SCALE = 94.4444' / in.	DRAWN -	REVISED -
PLOT DATE = 8/11/2021	CHECKED -	REVISED -
	DATE -	REVISED -

**STATE OF ILLINOIS
DEPARTMENT OF TRANSPORTATION**

GENERAL NOTES, INDEX OF SHEETS, AND STANDARDS			
SCALE:	SHEET	OF SHEETS	STA. TO STA.

F.A.P. RTE.	SECTION	COUNTY	TOTAL SHEETS	SHEET NO.
132	102B-1	MASSAC	13	3
CONTRACT NO. 78829				
ILLINOIS FED. AID PROJECT				

SUMMARY OF QUANTITIES

COUNTY	MASSAC
ROUTE	IL 145
FUNDING	NHPP 80% FED, 20% STATE
LOCATION	RURAL

CODE NUMBER	ITEM DESCRIPTION	UNIT	0004
20200100	EARTH EXCAVATION	CU YD	342
20700220	POROUS GRANULAR EMBANKMENT	CU YD	219
25000200	SEEDING, CLASS 2	ACRE	0.25
25000400	NITROGEN FERTILIZER NUTRIENT	POUND	23
25000500	PHOSPHORUS FERTILIZER NUTRIENT	POUND	23
25000600	POTASSIUM FERTILIZER NUTRIENT	POUND	23
25000700	AGRICULTURAL GROUND LIMESTONE	TON	0.5
25100630	EROSION CONTROL BLANKET	SQ YD	204
28000250	TEMPORARY EROSION CONTROL SEEDING	POUND	4
28000400	PERIMETER EROSION BARRIER	FOOT	252
28100107	STONE RIPRAP, CLASS A4	SQ YD	42
28200200	FILTER FABRIC	SQ YD	42
42000060	WELDED WIRE REINFORCEMENT	SQ YD	232

MODEL: Default
 FILE NAME: p:\w\blanroom\dot\illinois\gov\PW\DOT\Documents\DOT_Offices\District_9\Projects\78829\CAD\Draws\CAD\Draws\DOT\78829\Plan_Sheets.dgn

USER NAME = adamsam	DESIGNED -	REVISED -
PLOT SCALE = 94.4444' / in.	DRAWN -	REVISED -
PLOT DATE = 8/11/2021	CHECKED -	REVISED -
	DATE -	REVISED -

**STATE OF ILLINOIS
DEPARTMENT OF TRANSPORTATION**

SUMMARY OF QUANTITIES

SCALE: SHEET OF SHEETS STA. TO STA.

F.A.P. RTE.	SECTION	COUNTY	TOTAL SHEETS	SHEET NO.
132	102B-1	MASSAC	13	4
CONTRACT NO. 78829				
ILLINOIS FED. AID PROJECT				

SUMMARY OF QUANTITIES

COUNTY	MASSAC
ROUTE	IL 145
FUNDING	NHPP 80% FED, 20% STATE
LOCATION	RURAL

CODE NUMBER	ITEM DESCRIPTION	UNIT	0004
42000500	PORTLAND CEMENT CONCRETE PAVEMENT 10' '	SQ YD	232
44000100	PAVEMENT REMOVAL	SQ YD	232
48300300	PORTLAND CEMENT CONCRETE SHOULDERS 8' '	SQ YD	54
50100100	REMOVAL OF EXISTING STRUCTURES	EACH	1
50800205	REINFORCEMENT BARS, EPOXY COATED	POUND	1,430
54003000	CONCRETE BOX CULVERTS	CU YD	28.6
54010606	PRECAST CONCRETE BOX CULVERTS 6' X 6'	FOOT	78
59100100	GEOCOMPOSITE WALL DRAIN	SQ YD	80
67000400	ENGINEER'S FIELD OFFICE, TYPE A	CAL MO	2
67100100	MOBILIZATION	L SUM	1
70100100	TRAFFIC CONTROL AND PROTECTION, STANDARD 701316	EACH	1
70100450	TRAFFIC CONTROL AND PROTECTION, STANDARD 701201	L SUM	1
70103815	TRAFFIC CONTROL SURVEILLANCE	CAL DA	3

REV. - MS

MODEL: Default
FILE NAME: p:\planning\dot\illinois\gov\p\dot\Documents\DOT_Offices\District_9\Projects\78829\CAD\Drawings\Drawings\9-78829-Plan_Sheets.dgn

USER NAME = adamsam	DESIGNED -	REVISED -
PLOT SCALE = 94.4444' / in.	DRAWN -	REVISED -
PLOT DATE = 8/11/2021	CHECKED -	REVISED -
	DATE -	REVISED -

**STATE OF ILLINOIS
DEPARTMENT OF TRANSPORTATION**

SUMMARY OF QUANTITIES

SCALE: SHEET OF SHEETS STA. TO STA.

F.A.P. RTE.	SECTION	COUNTY	TOTAL SHEETS	SHEET NO.
132	102B-1	MASSAC	13	5
CONTRACT NO. 78829				
ILLINOIS FED. AID PROJECT				

SUMMARY OF QUANTITIES

COUNTY	MASSAC
ROUTE	IL 145
FUNDING	NHPP 80% FED, 20% STATE
LOCATION	RURAL
	0004

CODE NUMBER	ITEM DESCRIPTION	UNIT	
70106500	TEMPORARY BRIDGE TRAFFIC SIGNALS	EACH	1
70106700	TEMPORARY RUMBLE STRIPS	EACH	6
70107025	CHANGEABLE MESSAGE SIGN	CAL DA	28
* 78001110	PAINT PAVEMENT MARKING - LINE 4''	FOOT	180
* 86200300	UNINTERRUPTABLE POWER SUPPLY, EXTENDED	EACH	1
X0900064	MEMBRANE WATERPROOFING SYSTEM FOR BURIED STRUCTURES	SQ YD	80
X7011800	TRAFFIC CONTROL AND PROTECTION, STANDARD BLR 21	L SUM	1

* SPECIALTY ITEM

MODEL: Default
 FILE NAME: p:\blanroom\dot\illinois\gov\PW\DOT\Documents\DOT_Offices\District_9\Projects\78829\CAD\Draws\CAD\Draws\78829\Plan_Sheets.dgn

USER NAME = adamsam	DESIGNED -	REVISED -
PLOT SCALE = 94.4444' / in.	DRAWN -	REVISED -
PLOT DATE = 8/11/2021	CHECKED -	REVISED -
	DATE -	REVISED -

**STATE OF ILLINOIS
DEPARTMENT OF TRANSPORTATION**

SUMMARY OF QUANTITIES

SCALE: SHEET OF SHEETS STA. TO STA.

F.A.P. RTE.	SECTION	COUNTY	TOTAL SHEETS	SHEET NO.
132	102B-1	MASSAC	13	6
CONTRACT NO. 78829				
ILLINOIS FED. AID PROJECT				

MODEL: Default
 FILE NAME: p:\workroom\dot\illinois\gov\PW\DOT\Documents\DOT_Offices\District_9\Projects\78829\CAD\Draws\CAD\Draws\DOT_78829\Plan_Sheets.dgn

PAVING SCHEDULE										
STATION					COMMENTS	PAVEMENT REMOVAL	PORTLAND CEMENT CONCRETE PAVEMENT, 10' '	WELDED WIRE REINF.	PCC SHOULDERS - 8' '	
						SQ YD	SQ YD	SQ YD	SQ YD	
636+89	RT	TO	637+69	RT		116	116	116	27	
637+04	LT	TO	637+84	LT		116	116	116	27	
TOTALS						232	232	232	54	

PAVEMENT MARKING SCHEDULE									
STATION					NOTES	PAINT PAVEMENT MARKING - LINE			
						SOLID WHITE		SOLID YELLOW	
						FOOT		FOOT	
636+89	RT	TO	637+69	RT		80			
636+89		TO	637+84		ALONG CENTERLINE			20	
637+04	LT	TO	637+84	LT		80			
SUBTOTAL						160		20	
TOTAL						180			

USER NAME = adamsam	DESIGNED -	REVISED -
PLOT SCALE = 94.4444' / in.	DRAWN -	REVISED -
PLOT DATE = 8/11/2021	CHECKED -	REVISED -
	DATE -	REVISED -

**STATE OF ILLINOIS
 DEPARTMENT OF TRANSPORTATION**

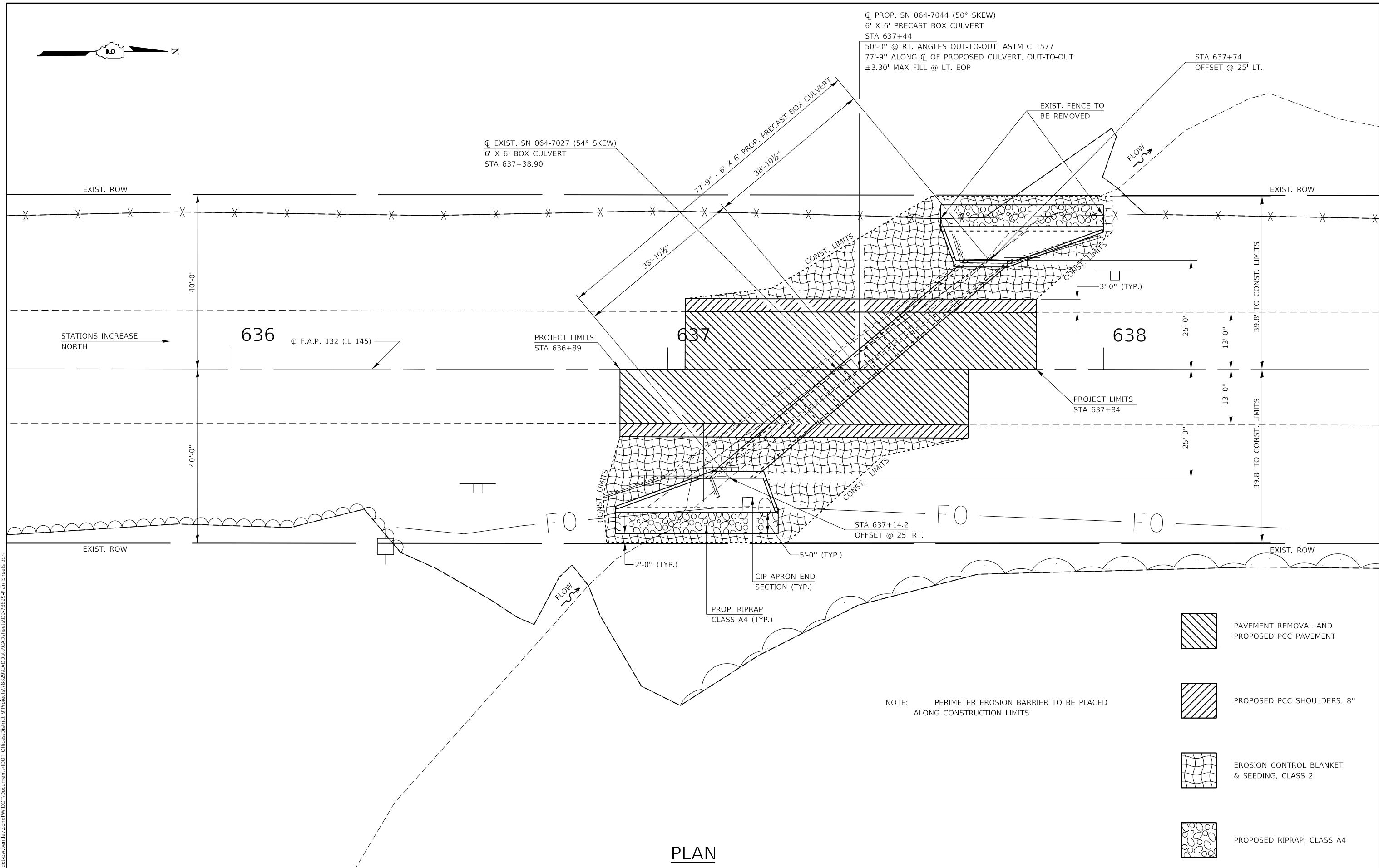
SCHEDULES			
SCALE:	SHEET	OF	SHEETS

F.A.P. RTE.	SECTION	COUNTY	TOTAL SHEETS	SHEET NO.
132	102B-1	MASSAC	13	7
CONTRACT NO. 78829				
ILLINOIS FED. AID PROJECT				



CL PROP. SN 064-7044 (50° SKEW)
 6' X 6' PRECAST BOX CULVERT
 STA 637+44
 50'-0" @ RT. ANGLES OUT-TO-OUT, ASTM C 1577
 77'-9" ALONG CL OF PROPOSED CULVERT, OUT-TO-OUT
 ±3.30' MAX FILL @ LT. EOP

CL EXIST. SN 064-7027 (54° SKEW)
 6' X 6' BOX CULVERT
 STA 637+38.90



- PAVEMENT REMOVAL AND PROPOSED PCC PAVEMENT
- PROPOSED PCC SHOULDERS, 8"
- EROSION CONTROL BLANKET & SEEDING, CLASS 2
- PROPOSED RIPRAP, CLASS A4

NOTE: PERIMETER EROSION BARRIER TO BE PLACED ALONG CONSTRUCTION LIMITS.

PLAN

MODEL: Default
 FILE: \\mdele-prod\server\benlley.com\PHWDOT\Documents\DOT Offices\Director\Projects\78829\CADDData\CAD\Sheets\064-78829_Plan_Sheets.dgn

USER NAME = adamsam	DESIGNED - _____	REVISED - _____
DRAWN - _____	REVISOR - _____	REVISOR - _____
PLOT SCALE = 20.0000' / in.	CHECKED - _____	REVISOR - _____
PLOT DATE = 9/28/2021	DATE - _____	REVISOR - _____

STATE OF ILLINOIS
DEPARTMENT OF TRANSPORTATION

GENERAL PLAN
SN 064-7044 (P)

SCALE: _____ SHEET _____ OF _____ SHEETS STA. _____ TO STA. _____

F.A.P. RTE. 132	SECTION 102B-1	COUNTY MASSAC	TOTAL SHEETS 13	SHEET NO. 8
CONTRACT NO. 78829				
		ILLINOIS	FED. AID PROJECT	

TEMPORARY SECTION PRIOR TO CONSTRUCTION OF CAST-IN-PLACE APRONS

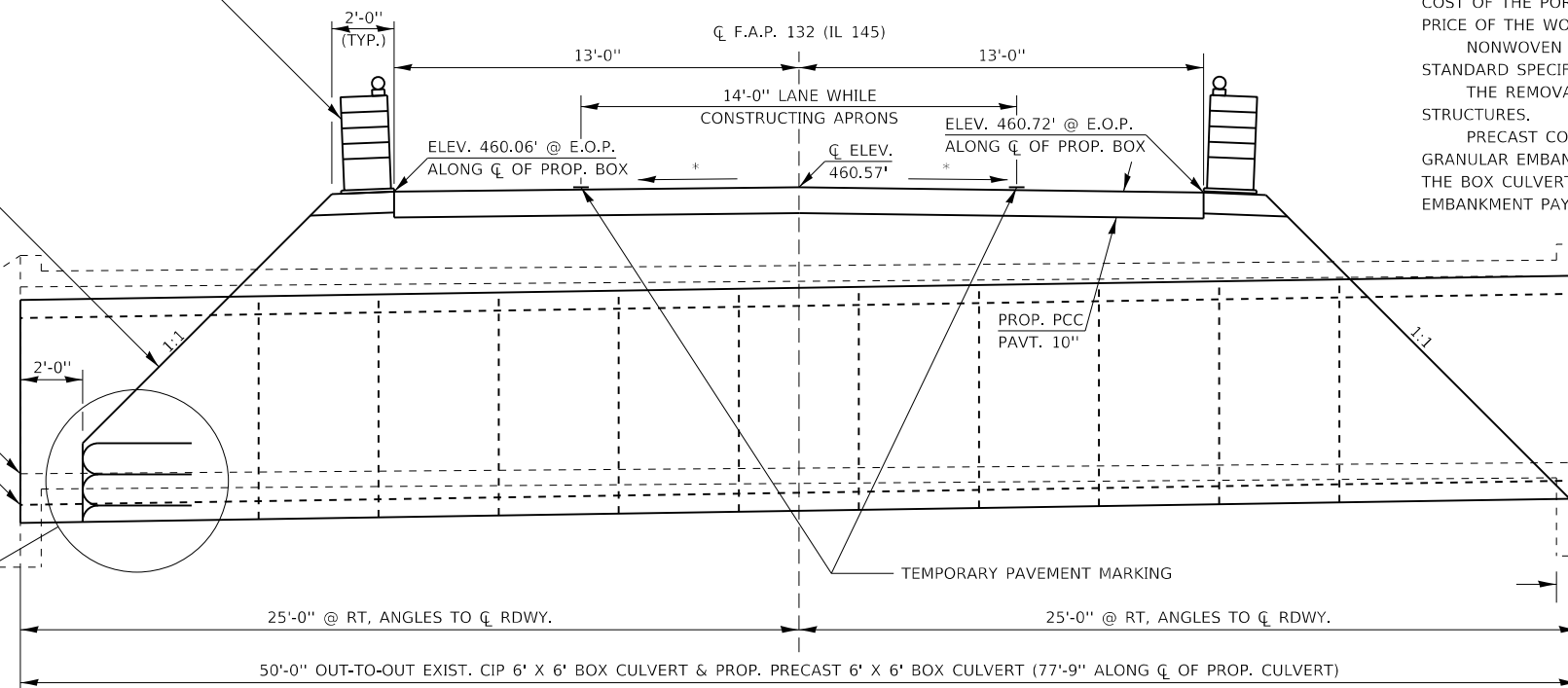
TEMPORARY DRUMS OR BARRICADES DURING CONSTRUCTION OF CIP APRONS. COST INCLUDED IN THE TRAFFIC CONTROL AND PROTECTION, STANDARD 701316. (TYP.)

TEMPORARY AGGREGATE SHOULDERS TO BE USED TO SUPPORT DRUMS OR BARRICADES FOR TRAFFIC CONTROL BEFORE CAST-IN-PLACE APRONS ARE BUILT. COST INCLUDED IN POROUS GRANULAR EMBANKMENT. (TYP.)

EXIST. DOWNSTREAM INVERT ELEVATION = 451.37'

PROP. DOWNSTREAM INVERT ELEVATION = 450.37'

CONTRACTOR SHALL RETAIN THE BACKFILL MATERIAL DURING THE CONSTRUCTION OF THE CIP APRONS. COST INCLUDED IN POROUS GRANULAR EMBANKMENT. (TYP.)



ELEVATION
(LOOKING NORTH)

GENERAL NOTES

DRAIN HOLES SHALL BE PROVIDED ON EXTERIOR CULVERT WALLS FOR EACH PRECAST BOX SEGMENT WITH A CLEAR RISE GREATER THAN 3 FT. THE DRAIN HOLE SHALL BE LOCATED WITHIN 1/3 OF THE CLEAR RISE OF THE BOX CULVERT, SHALL NOT INTERCEPT THE HAUNCH, AND SHALL CONFORM TO THE REQUIREMENTS OF ARTICLE 503.11 OF THE STANDARD SPECIFICATIONS.

THE 6 IN. THICK LAYER OF POROUS GRANULAR MATERIAL REQUIRED FOR THE PRECAST CONCRETE BOX CULVERT PER ARTICLE 540.06 OF THE STANDARD SPECIFICATIONS SHALL ALSO APPLY TO THE CAST-IN-PLACE END SECTIONS. COST OF THE POROUS GRANULAR MATERIAL WILL NOT BE PAID SEPARATELY BUT SHALL BE INCLUDED IN THE UNIT PRICE OF THE WORK FOR WHICH IT IS REQUIRED.

NONWOVEN GEOTEXTILE FABRIC SHALL CONFORM TO THE REQUIREMENTS OF ARTICLE 1080.01 OF THE STANDARD SPECIFICATIONS. THE MINIMUM WEIGHT OF THE FABRIC SHALL BE 6 OUNCES PER SQUARE YARD.

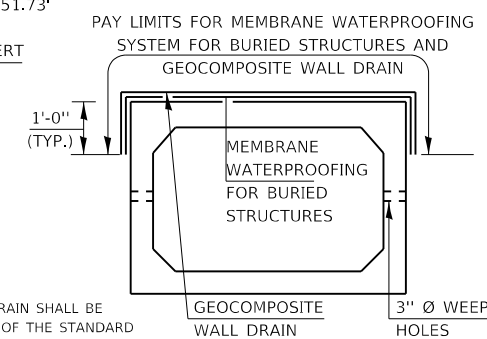
THE REMOVAL OF THE EXISTING BOX CULVERT IS TO BE INCLUDED IN THE COST OF REMOVAL OF EXISTING STRUCTURES.

PRECAST CONCRETE BOX CULVERTS AND BOX CULVERT END SECTIONS SHALL BE BACKFILLED WITH POROUS GRANULAR EMBANKMENT IN THE REQUIRED EXCAVATION AREAS ON THE SIDES OF THE BOX CULVERT FROM THE TOP OF THE BOX CULVERT TO THE BOTTOM OF THE BOX CULVERT. THIS AREA OF PGE IS INCLUDED IN THE POROUS GRANULAR EMBANKMENT PAY ITEM.

EXIST. UPSTREAM INVERT ELEVATION = 451.73'

PROP. UPSTREAM INVERT ELEVATION = 451.15'

NOTE:
GEOTEXTILE WALL DRAIN SHALL BE ACCORDING TO SECTION 591 OF THE STANDARD SPECIFICATIONS. EXCEPT THAT CONCRETE NAILS SHALL NOT BE USED IN AREAS WHERE IT OVERLAPS MEMBRANE WATERPROOFING SYSTEM FOR BURIED STRUCTURES.



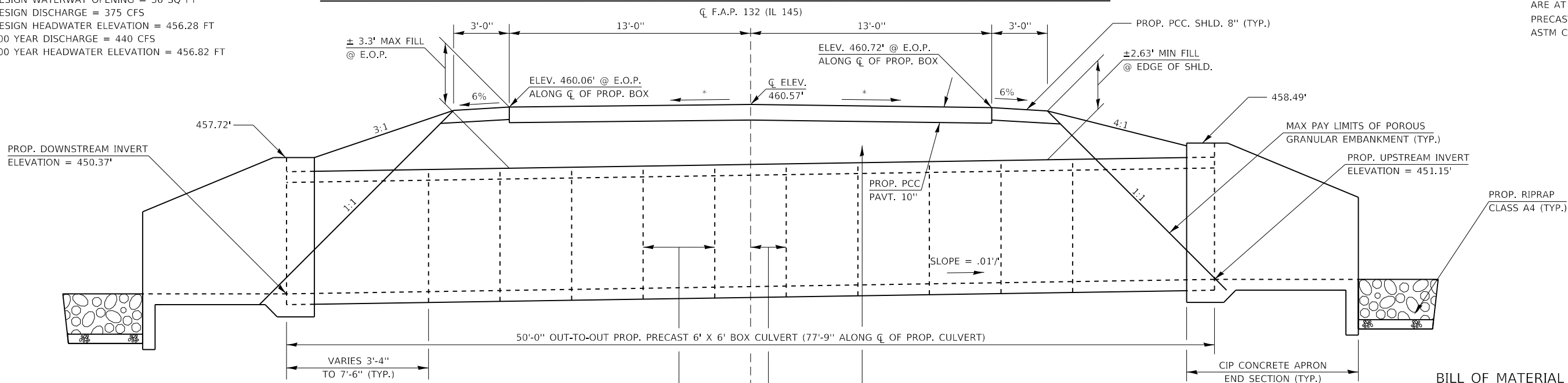
PRECAST CONCRETE BOX CULVERT

HYDRAULIC DATA
 DRAINAGE AREA = 0.13 SQ MI
 DESIGN WATERWAY OPENING = 36 SQ FT
 DESIGN DISCHARGE = 375 CFS
 DESIGN HEADWATER ELEVATION = 456.28 FT
 100 YEAR DISCHARGE = 440 CFS
 100 YEAR HEADWATER ELEVATION = 456.82 FT

FINAL SECTION AFTER CONSTRUCTION OF CAST-IN-PLACE APRONS

* MATCH EXISTING CROSS SLOPES

DIMENSIONS OF BOX CULVERT ARE AT RIGHT ANGLES. PRECAST BOX LOADING HL-93. ASTM C 1577



ELEVATION
(LOOKING NORTH)

PRECAST BOX CULVERT SCHEDULE (ASTM C 1577)						
STATION	SIZE	SKEW	DESIGN FILL (FT.)		PGE BACKFILL REQUIRED	
			MINIMUM	MAXIMUM		
637+38.43	TO 637+49.57	6' X 6'	50°	±2.63'	±3.30'	219 CU YD

ITEM	UNIT	QUANTITY
REMOVAL OF EXISTING STRUCTURES	EACH	1
GEOTEXTILE WALL DRAIN	SQ YD	80
MEMBRANE WATERPROOFING SYSTEM FOR BURIED STRUCTURES	SQ YD	80
REINFORCEMENT BARS, EPOXY COATED	POUND	1,430
CONCRETE BOX CULVERTS	CU YD	28.6
PRECAST CONCRETE BOX CULVERTS 6' X 6'	FOOT	78

6'-0" (TYP.) ALONG CENTERLINE OF CULVERT EXCEPT VARIABLE LAY LENGTHS AT EACH END

3'-0" ALONG CENTERLINE OF CULVERT

PROP. POROUS GRANULAR EMBANKMENT (CA 7 OR CA 11 CAPPED WITH 1'-0" MIN. CA 10.)

MODEL: D:\p\proj\11\11111111\11111111.dwg
 FILE: 11111111.dwg
 PROJECT: 11111111
 SHEET: 11111111

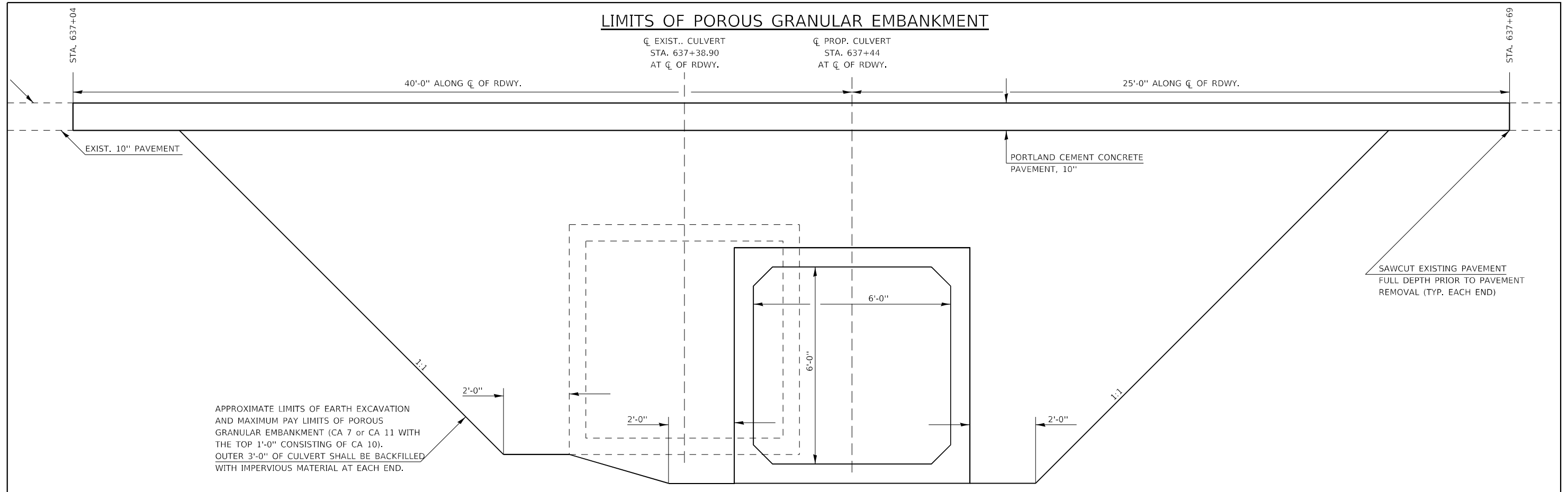
USER NAME = adamsam	DESIGNED - _____	REVISD - _____
DRAWN - _____	REVISD - _____	REVISD - _____
PLOT SCALE = 6.0000' / in.	CHECKED - _____	REVISD - _____
PLOT DATE = 9/14/2021	DATE - _____	REVISD - _____

**STATE OF ILLINOIS
DEPARTMENT OF TRANSPORTATION**

**TEMPORARY AND FINAL SECTIONS
SN 064-7044 (P)**

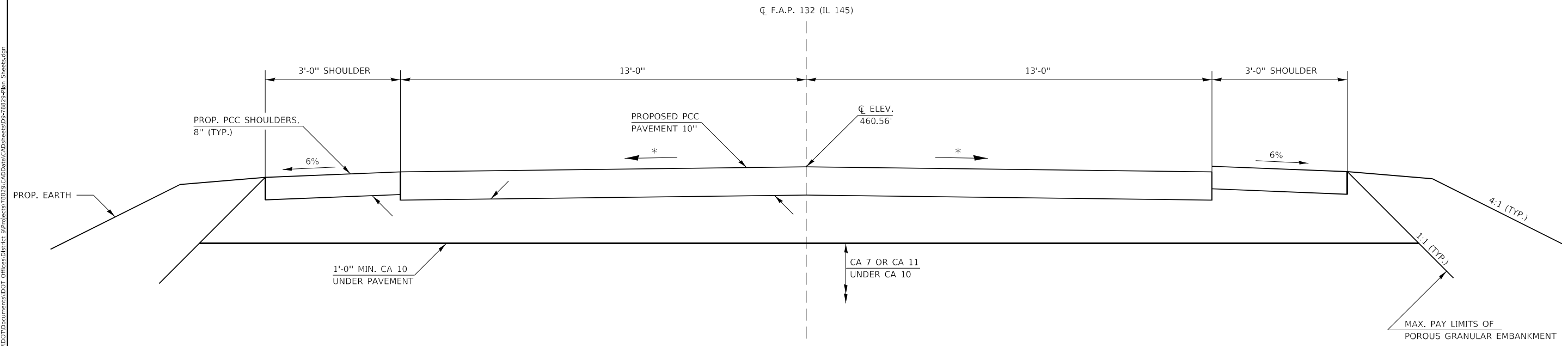
SCALE: _____	SHEET _____ OF _____ SHEETS	STA. _____ TO STA. _____	F.A.P. RTE. 132	SECTION 1028-1	COUNTY MASSAC	TOTAL SHEETS 13	SHEET NO. 9
							CONTRACT NO. 78829
ILLINOIS FED. AID PROJECT							

LIMITS OF POROUS GRANULAR EMBANKMENT



SECTION WITHIN PAVEMENT REMOVAL

THE COST OF THE REMOVAL OF EXISTING PAVEMENT MARKINGS,
INCLUDING RAISED REFLECTIVE PAVEMENT MARKERS IS INCLUDED
IN THE COST OF PAVEMENT REMOVAL.



* MATCH EXISTING SLOPE

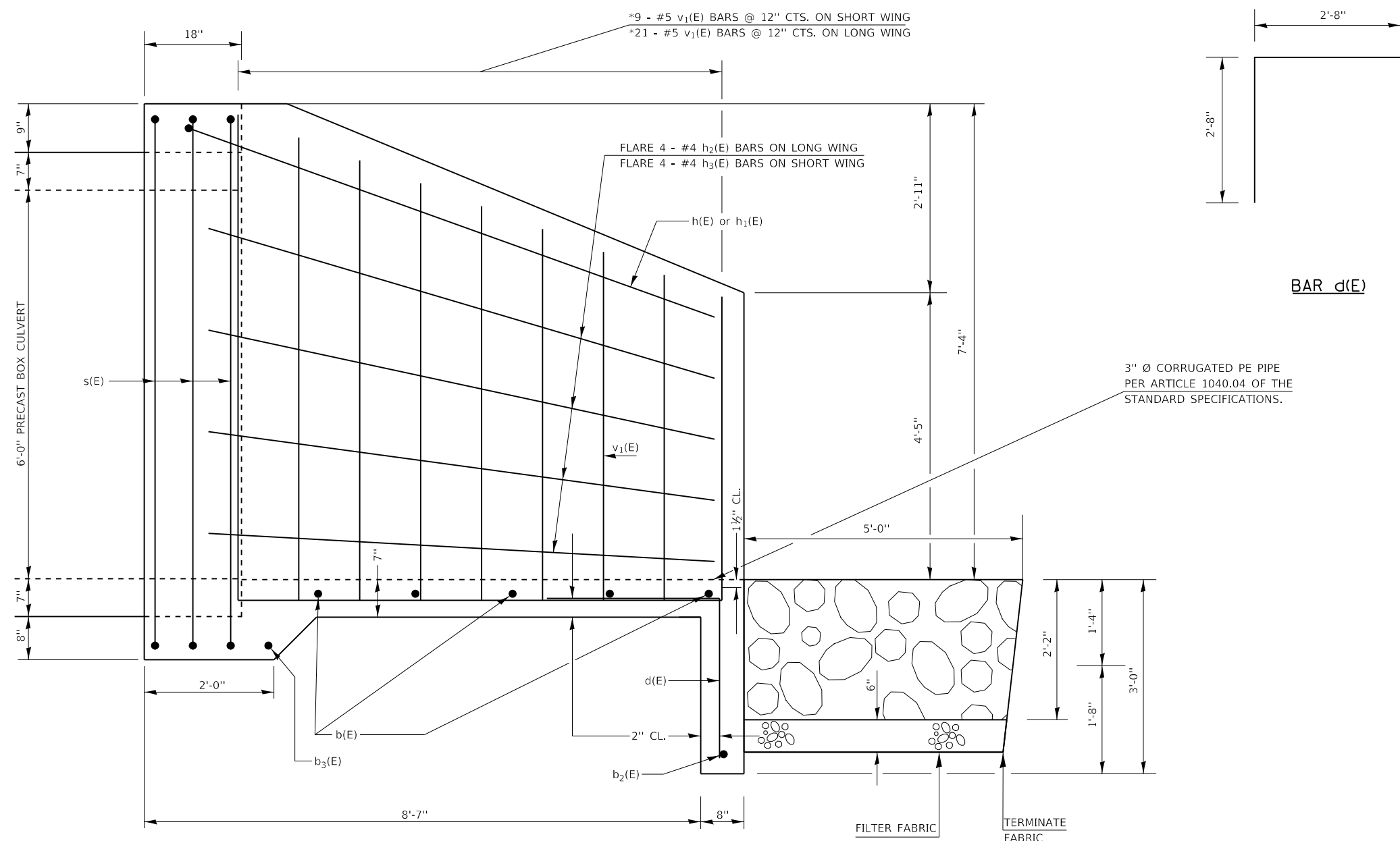
MODEL: Default
FILE NAME: p:\w\blanroom\dot\illinois\p\p\DOT\Documents\DOT_Offices\District_9\Projects\78829\CAD\Draws\CAD\Draws\DWG\78829\Plan_Sheets.dgn

USER NAME = adamsam	DESIGNED -	REVISED -
PLOT SCALE = 2.8333 ' / in.	DRAWN -	REVISED -
PLOT DATE = 8/11/2021	CHECKED -	REVISED -
	DATE -	REVISED -

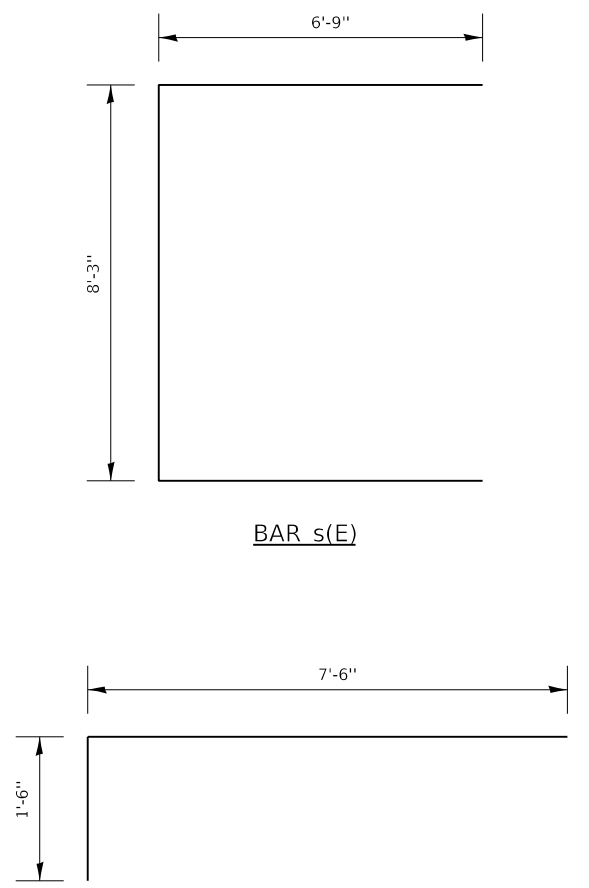
STATE OF ILLINOIS
DEPARTMENT OF TRANSPORTATION

LIMITS OF POROUS GRANULAR EMBANKMENT AND TYPICAL SECTION WITHIN PAVEMENT REMOVAL			
SCALE:	SHEET	OF SHEETS	STA. TO STA.

F.A.P. RTE.	SECTION	COUNTY	TOTAL SHEETS	SHEET NO.
132	102B-1	MASSAC	13	10
CONTRACT NO. 78829				
ILLINOIS FED. AID PROJECT				



HALF SIDE ELEVATION



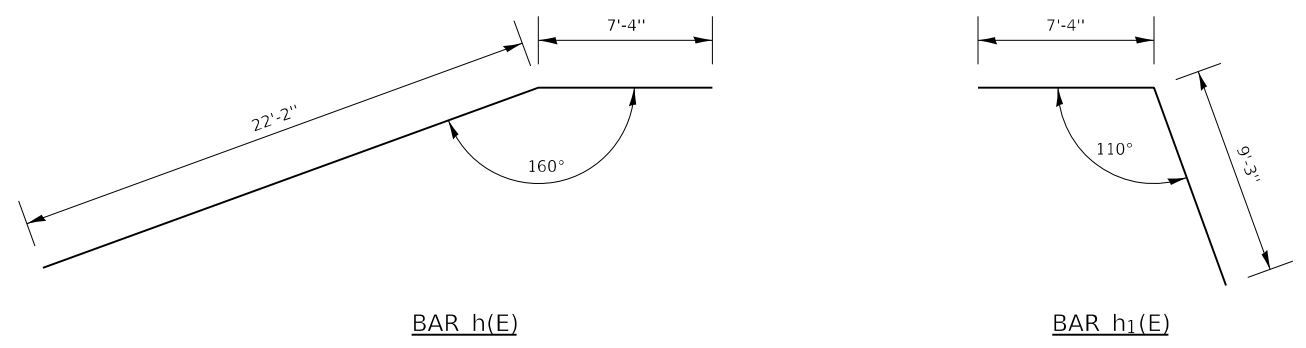
BILL OF MATERIAL - 2 APRONS

BAR	NO.	SIZE	LENGTH	SHAPE
b(E)	5	#4	32'-4"	—
b ₁ (E)	10	#4	14'-4"	—
b ₂ (E)	2	#4	37'-0"	—
b ₃ (E)	2	#4	16'-8"	—
d(E)	50	#4	5'-4"	┌
h(E)	2	#4	29'-6"	┌
h ₁ (E)	2	#4	16'-7"	┌
h ₂ (E)	8	#4	22'-2"	—
h ₃ (E)	8	#4	9'-3"	—
s(E)	12	#4	21'-9"	┌
v ₁ (E)	60	#5	9'-0"	┌
CONCRETE BOX CULVERTS			CU. YD.	28.6
REINFORCEMENT BARS, EPOXY COATED			POUND	1,430

DESIGN STRESSES
 $f_y = 60,000$ PSI
 $f'_c = 3,500$ PSI

REINFORCEMENT BARS DESIGNATED (E) SHALL BE EPOXY COATED.
 * CUT OR BEND TO FIT
 REINFORCEMENT BARS SHALL CONFORM TO THE REQUIREMENTS OF ASTM A 706.
 EXPOSED EDGES SHALL BE BEVELED $\frac{3}{8}$ "

WORK THIS SHEET WITH PAGE 12 OF 13



BAR h(E)

BAR h₁(E)

CAST-IN-PLACE END SECTION DETAILS
 MASSAC COUNTY
 SN 064-7044 (P)

MODEL: Default
 FILE: M:\M&E_Plan\Ildoc-cw-behntfy.com\PHWD07\Documents\DOT Offices\Dir\frt_8\Projects\78829\CADD\Drawings\CAD\Sheets\05-78829_Plan_Sheets.dgn

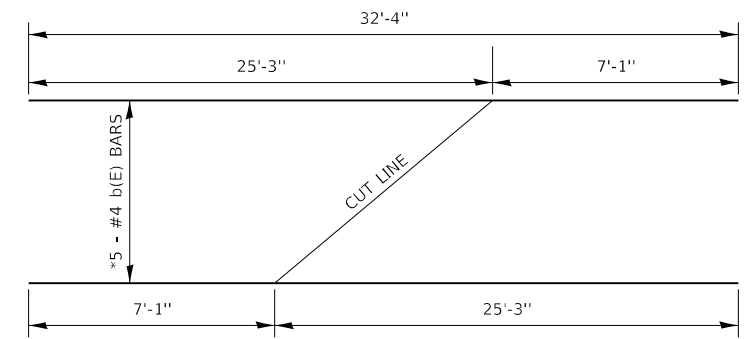
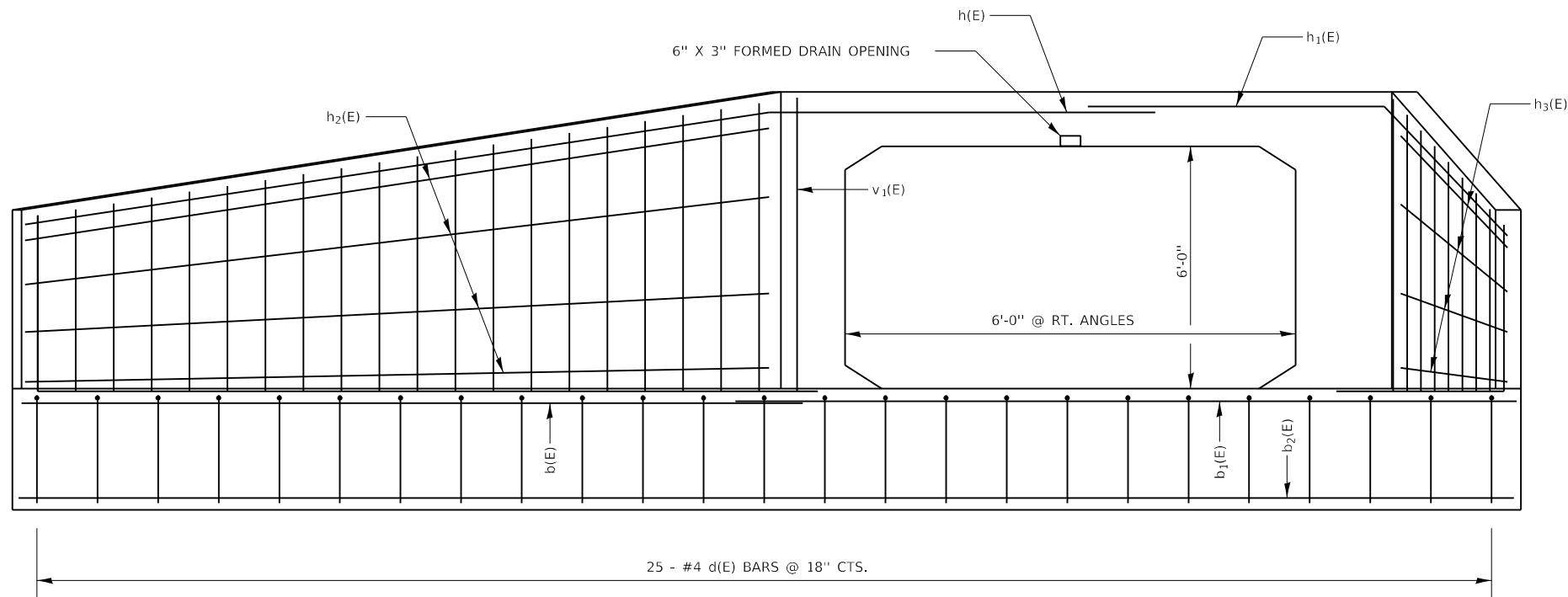
USER NAME = adamsam	DESIGNED - _____	REVISED - _____
PLOT SCALE = 2.0000' / in.	CHECKED - _____	REVISED - _____
PLOT DATE = 9/14/2021	DATE - _____	REVISED - _____

STATE OF ILLINOIS
 DEPARTMENT OF TRANSPORTATION

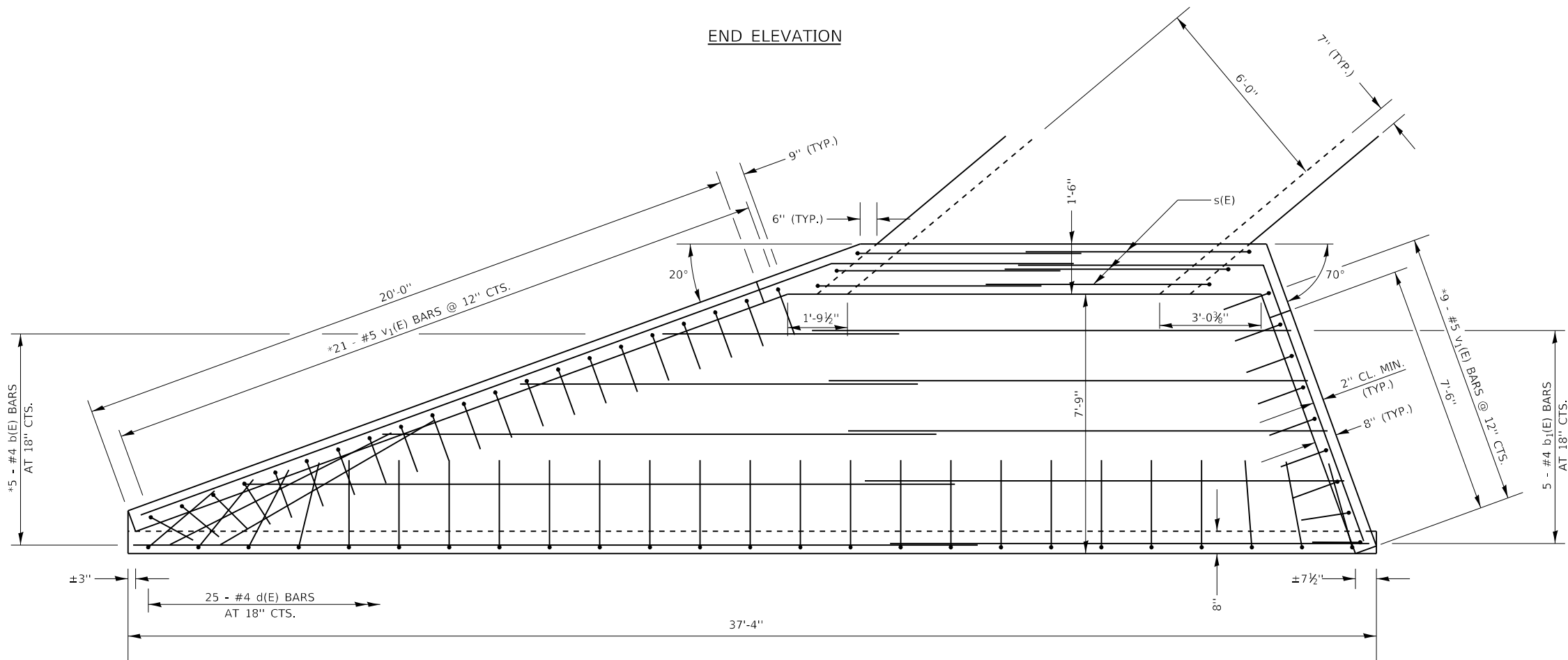
CAST-IN-PLACE APRON
 END SECTION DETAILS

SCALE: _____ SHEET _____ OF _____ SHEETS STA. _____ TO STA. _____

F.A.P. RTE.	SECTION	COUNTY	TOTAL SHEETS	SHEET NO.
132	102B-1	MASSAC	13	11
ILLINOIS FED. AID PROJECT			CONTRACT NO. 78829	



FIELD CUTTING DIAGRAM



* CUT OR BEND TO FIT
WORK THIS SHEET WITH SHEET 11 OF 13

MIN BAR LAP = 2'-7" FOR #4 BARS

CAST-IN-PLACE END SECTION DETAILS
MASSAC COUNTY
SN 064-7044 (P)

PLAN

MODEL: Default
 FILE: \\mae-pc\public\civ\benfley.com\PHWDOT\Documents\DOT Offices\Director_9\Projects\78829\CADD\Drawings\Drawings\06-78829_Plan_Sheets.dgn

USER NAME = adamsam	DESIGNED - _____	REVISED - _____
DRAWN - _____	REVISIONS - _____	REVISIONS - _____
PLOT SCALE = 4.0000' / in.	CHECKED - _____	REVISIONS - _____
PLOT DATE = 9/14/2021	DATE - _____	REVISIONS - _____

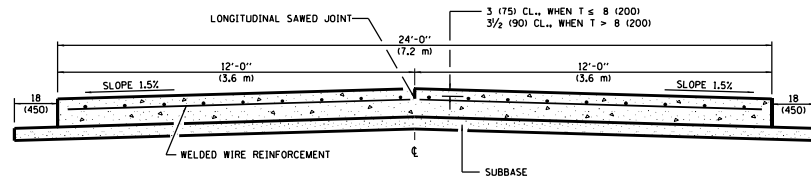
STATE OF ILLINOIS
DEPARTMENT OF TRANSPORTATION

CAST-IN-PLACE APRON
END SECTION DETAILS

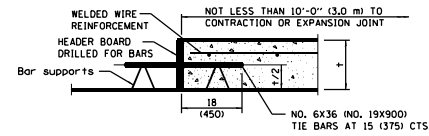
SCALE: _____ SHEET _____ OF _____ SHEETS STA. _____ TO STA. _____

F.A.P. RTE.	SECTION	COUNTY	TOTAL SHEETS	SHEET NO.
132	1028-1	MASSAC	13	12
CONTRACT NO. 78829				
ILLINOIS FED. AID PROJECT				

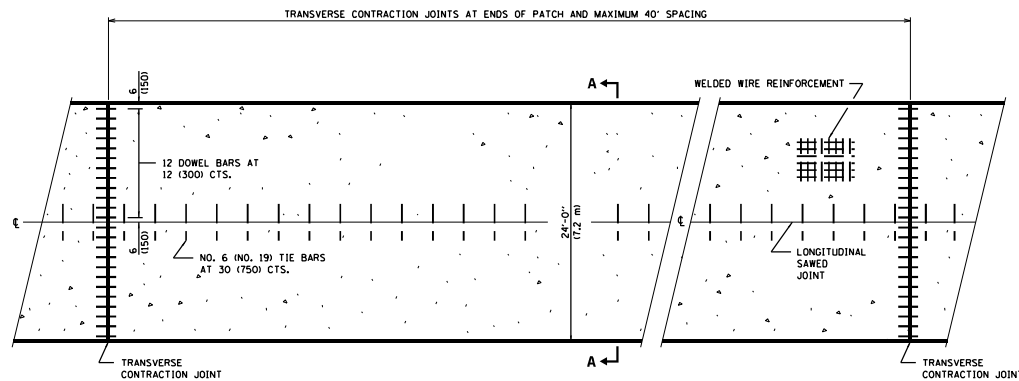
**24' (7.2 m) PCC PAVEMENT
OVER BOX CULVERT**



SECTION A-A
(TYPICAL 2-LANE WITH SHOULDERS)



TRANSVERSE CONSTRUCTION JOINT
(IF NEEDED PER STANDARD SPECIFICATIONS)



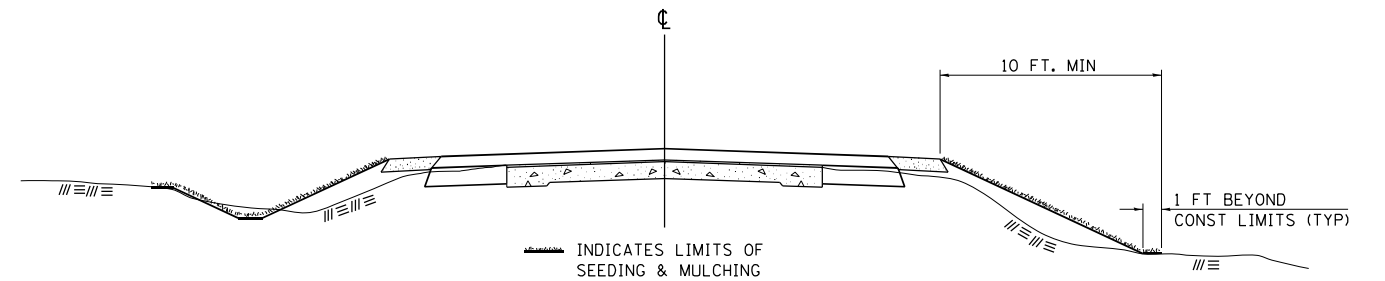
PLAN

GENERAL NOTES
SEE STANDARD 420001 FOR DETAILS NOT SHOWN.
SEE STANDARD 420701 FOR WELDED WIRE REINFORCEMENT DETAILS.
ALL DIMENSIONS ARE IN INCHES (MILLIMETERS) UNLESS OTHERWISE SHOWN.
ACTUAL DIMENSIONS TO MATCH FIELD CONDITIONS AND CONSTRUCTION METHODS.

REVISIONS	
DRAWN	11-9-17
REVISED	7-23-18

STD. 9-25

SEEDING & MULCHING



GENERAL NOTES

IN GENERAL, ALL EARTH SURFACES DISTURBED DURING CONSTRUCTION OPERATIONS SHALL BE SEEDED AND MULCHED UPON COMPLETION OF ALL GRADING OPERATIONS.

ON DETOUR ROADS, SLOPES SHALL BE SEEDED IMMEDIATELY UPON COMPLETION OF ANY GIVEN STAGE GRADING. TEMPORARY SEEDED SHALL BE CLASS 7.

FERTILIZER NUTRIENTS SHALL BE APPLIED TO ALL SEEDED AREAS. LIMESTONE SHALL BE APPLIED TO ALL AREAS OF FINAL SEEDED.

THE RATES OF APPLICATION OF FERTILIZER, MULCH AND LIMESTONE SHALL BE AS SPECIFIED IN THE SPECIAL PROVISIONS FOR ROAD AND BRIDGE CONSTRUCTION.

SECTIONS 250 AND 251 OF THE STANDARD SPECIFICATIONS SHALL GOVERN THIS WORK EXCEPT AS SPECIFIED HEREIN OR AS NOTED IN THE SPECIAL PROVISIONS.

REVISIONS	
REDRAWN	2-15-89
REVISED	8-15-94
REVISED	6-3-99
REVISED	3-27-08
REVISED	5-16-13

STD. 9-12

MODEL: Default
FILE NAME: p:\w\blamroom\dot\illinois\gov\FWIDOT\Documents\DOT_Offices\District_9\Projects\78829\CAD\Draws\CAD\Draws\Plan_Sheets.dgn

USER NAME = adamsam	DESIGNED -	REVISED -
PLOT SCALE = 94.4444' / in.	CHECKED -	REVISED -
PLOT DATE = 8/11/2021	DATE -	REVISED -

**STATE OF ILLINOIS
DEPARTMENT OF TRANSPORTATION**

DISTRICT STANDARDS	
SCALE:	SHEET OF SHEETS STA. TO STA.

F.A.P. RTE.	SECTION	COUNTY	TOTAL SHEETS	SHEET NO.
132	102B-1	MASSAC	13	13
CONTRACT NO. 78829				ILLINOIS FED. AID PROJECT