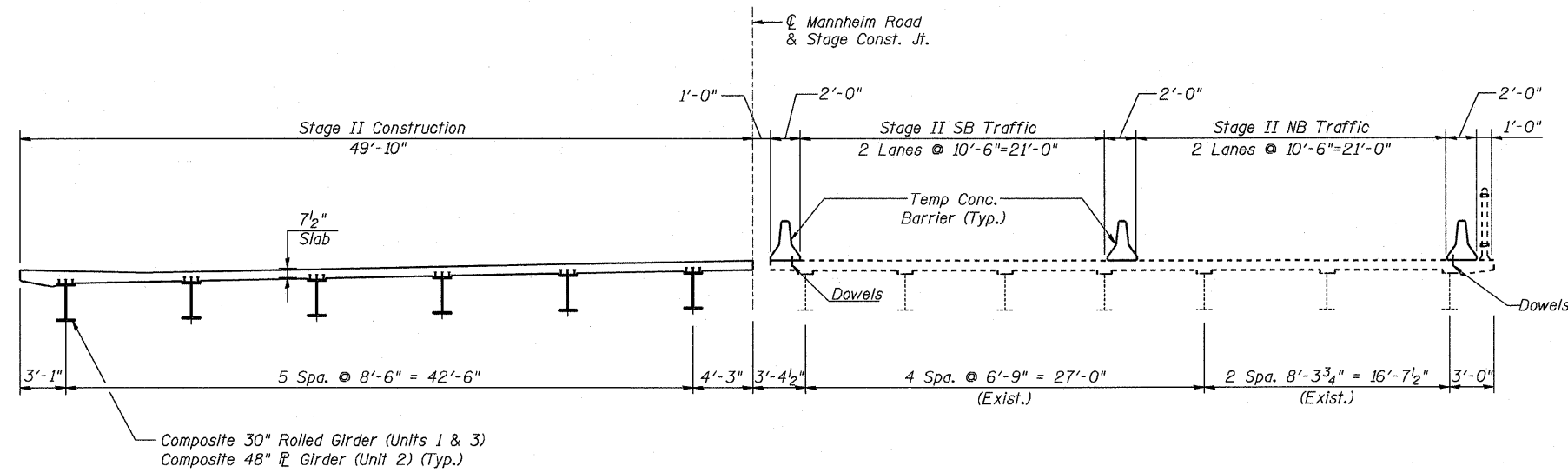
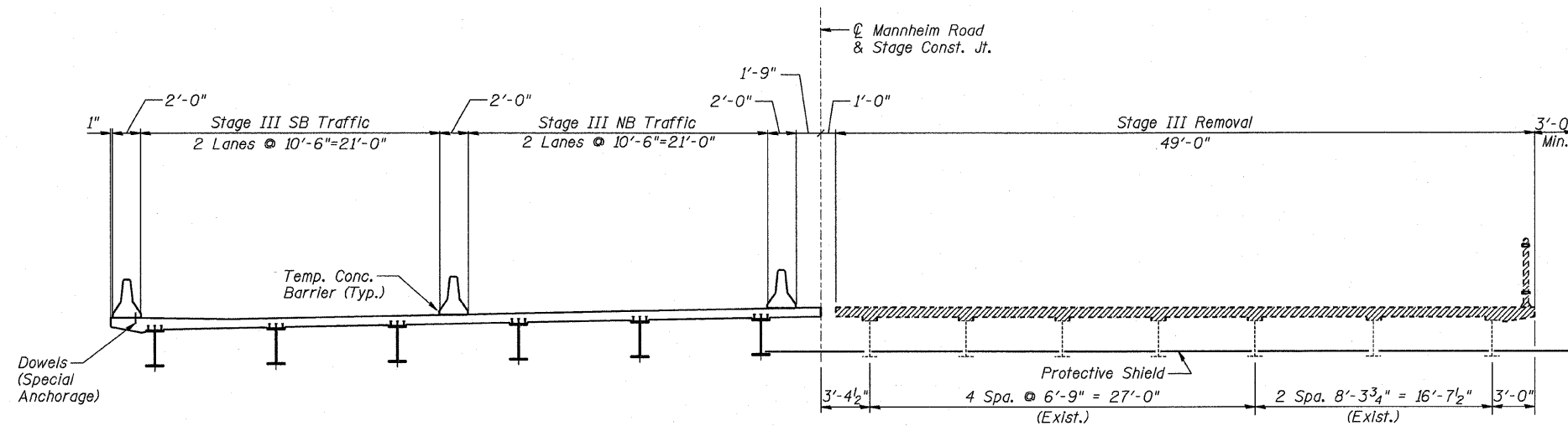


F.A.P.	SECTION	COUNTY	TOTAL SHEETS	SHEET NO.
330	465 VB-R-1	COOK	103	37
STA. 173+50 TO STA. 195+00		ILLINOIS FED. AID PROJECT		
FED. ROAD DIST. NO. 7		FED. AID PROJECT		
Contract # 60407		SHEET NO. 54 of 560		



STAGE II CONSTRUCTION
(Looking Upstation)



STAGE III REMOVAL
(Looking Upstation)

Notes:

1. Work this sheet with Sheets S3-S5.
2. See Sheet S1 for limits of Protective Shield.
3. See Sheet S46 for Temp. Concrete Barrier.
4. See Roadway plans for Temporary Concrete Barrier quantities.

REVISIONS		ILLINOIS DEPARTMENT OF TRANSPORTATION CONSTRUCTION STAGING II
NAME	DATE	
		FAP 330 US 12/45 (MANNHEIM RD.) OVER 500 LINE RR & FRANKLIN AVE. STRUCTURE NO. 016-2815 SECTION 465 VB-R-1 STA. 183+33.30 COOK COUNTY DRAWN BY JHR DATE 7/2009 CHECKED BY CLS

EARTH TECH | AECOM