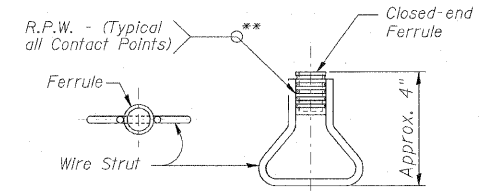
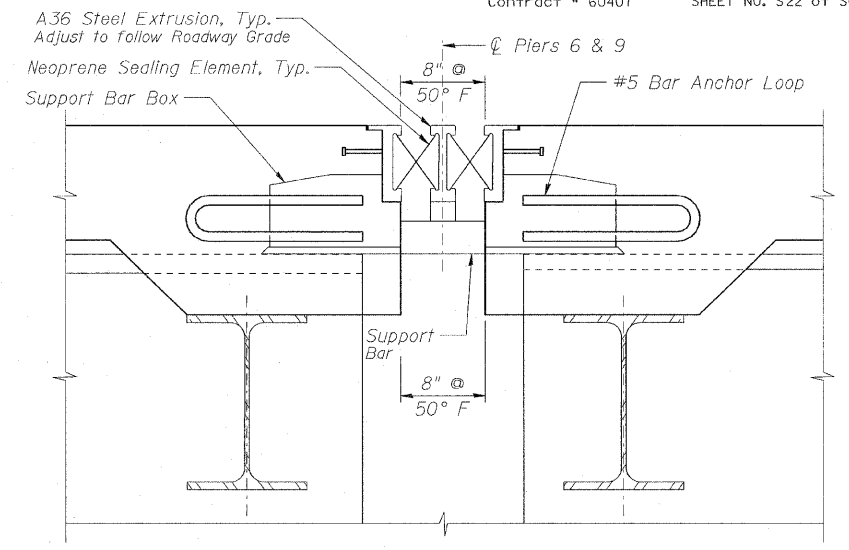


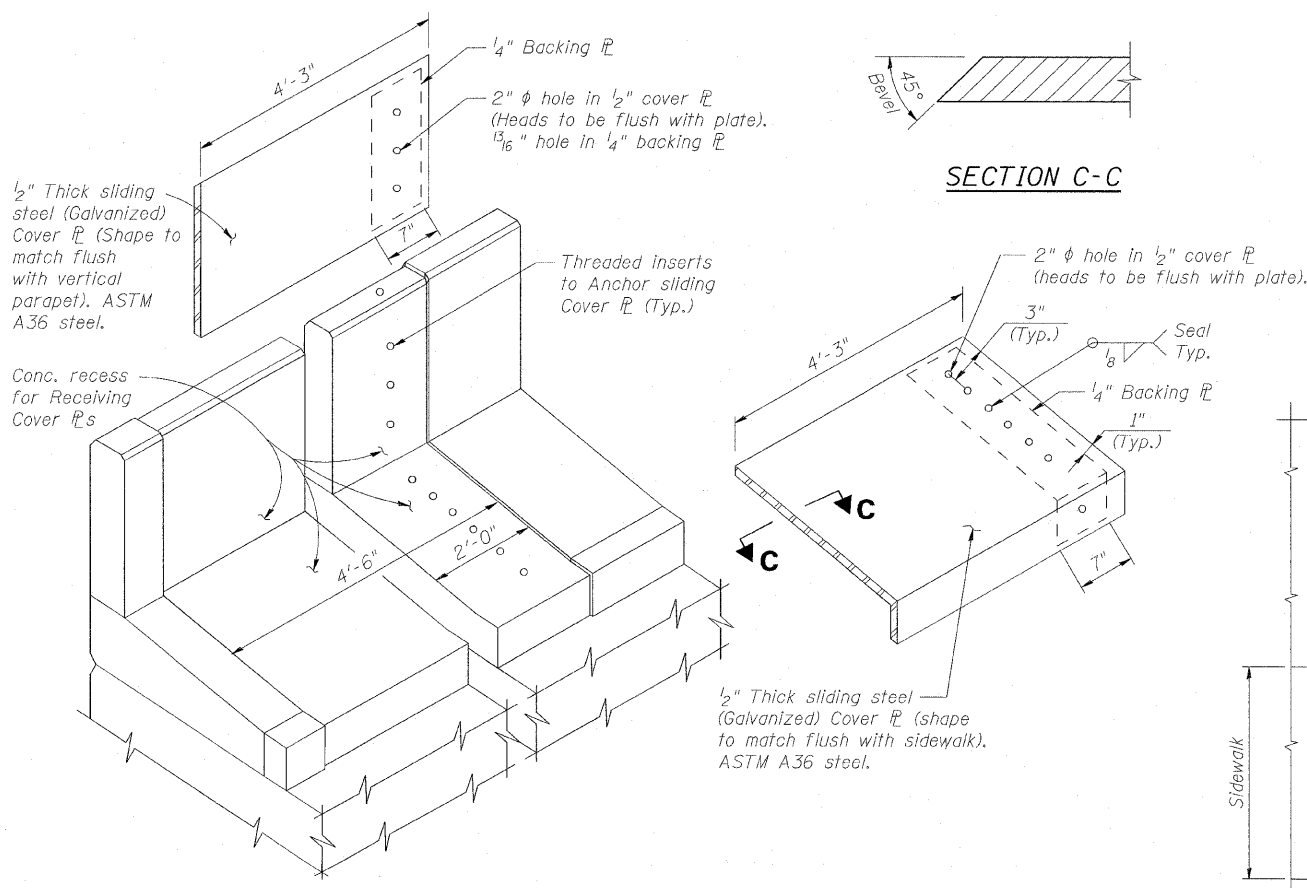
*** Concrete recess dimensions:**
 $\frac{13}{16}$ " for the side of the joint having the $\frac{1}{2}$ " cover plate with a $\frac{1}{4}$ " backing plate.
 $\frac{9}{16}$ " for the side of the joint having only the $\frac{1}{2}$ " cover plate.



PLAN ELEVATION CONCRETE INSERT
 ** Each welded attachment of wire to ferrule shall develop the tensile strength of the wire.

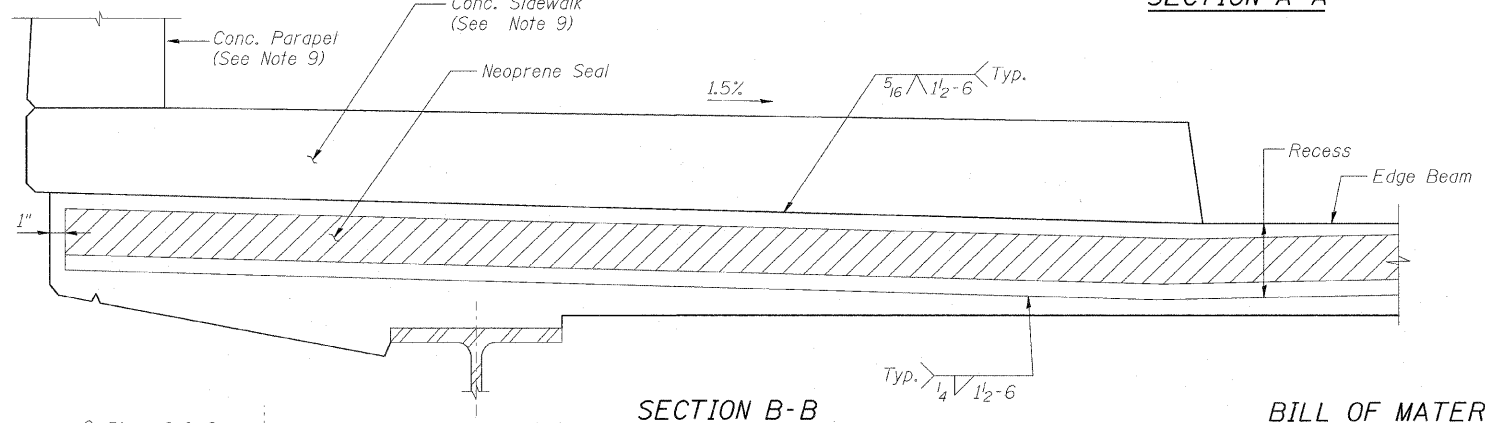


SECTION A-A



COVER PLATE DETAIL FOR VERTICAL PARAPET WITH SIDEWALK

	Total Movement along ϕ Mannheim
Pier 6	$4\frac{5}{16}$ "
Pier 9	$5\frac{3}{8}$ "



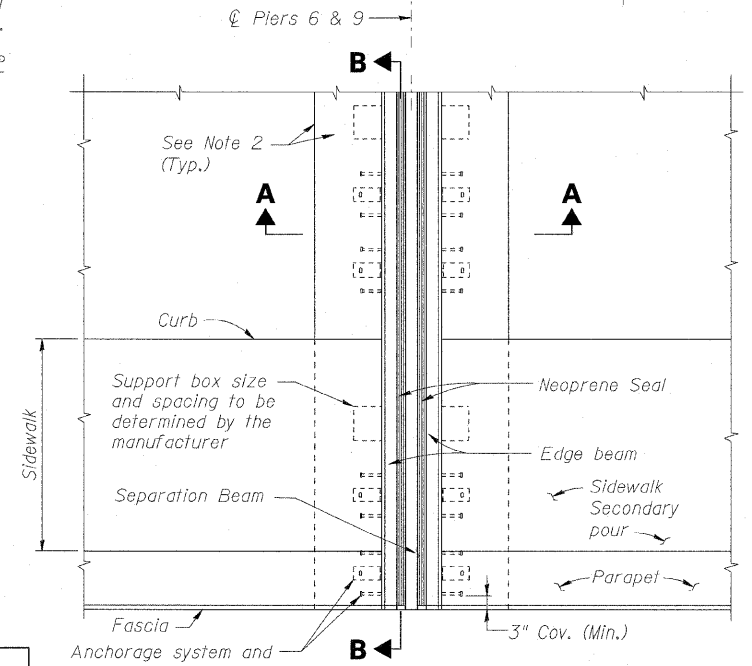
SECTION B-B

BILL OF MATERIAL

Item	Unit	Total
Modular Expansion Joint 6"	Foot	199

Notes:

1. Thoroughly coat the bottom and vertical surfaces of the recess with epoxy polysulfide grout or portland cement bonding grout. The cost of furnishing and placing the material shall be included in the unit price bid for Concrete Superstructure.
2. Actual modular joint supplied may vary from the one shown here. It is the contractor's responsibility to adjust the blockout dimensions to accommodate the actual modular joint supplied in the field.
3. End of seal to be capped with neoprene sponge.
4. The $\frac{3}{4}$ " ϕ Hex Head bolts shall conform to ASTM F593 Alloy 304 stainless steel.
5. The $\frac{3}{4}$ " concrete inserts shall be closed-end ferrules with looped wire struts attached to them. The inserts shall conform to AASHTO M169, Grade 12L14 and shall have a proof load of 6,600 lbs. tension.
6. Cost of cover plate, concrete inserts, and all associated work shall be included in the cost of Modular Expansion Joint.
7. See Modular Joint Special Provision for more information.
8. Modular expansion joints shall be assembled in their final relative position with the ends in place for shop inspection and acceptance.
9. The area above the modular expansion joints must be blocked out prior to pouring concrete for the sidewalks or parapets.



PARTIAL PLAN

(Sidewalk cover plate not shown for clarity)

EARTH TECH | AECOM

REVISIONS	
NAME	DATE

ILLINOIS DEPARTMENT OF TRANSPORTATION
MODULAR EXPANSION JOINT
 FAP 330 US 12/45 (MANNHEIM RD.) OVER
 500 LINE RR & FRANKLIN AVE.
 STRUCTURE NO. 016-2815
 SECTION 465 VB-R-1
 STA. 183+33.30
 DATE 7/2009
 COOK COUNTY
 DRAWN BY JHR
 CHECKED BY CLS