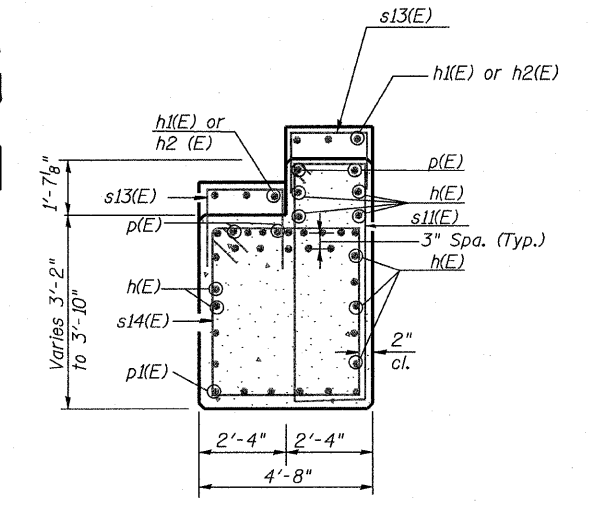
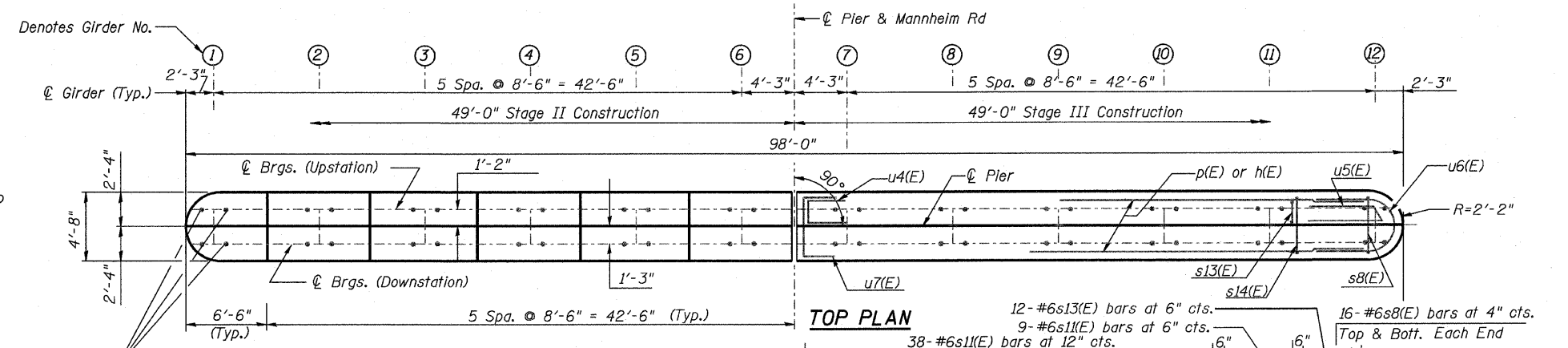
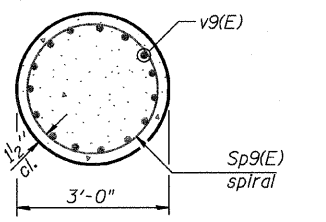


F.A.P.	SECTION	COUNTY	TOTAL SHEETS	SHEET NO.
330	465 VB-R-1	COOK	103	73
STA. 173+50 TO STA. 195+00				
FED. ROAD DIST. NO. 7 ILLINOIS FED. AID PROJECT				
Contract # 60407			SHEET NO. 540 of 560	

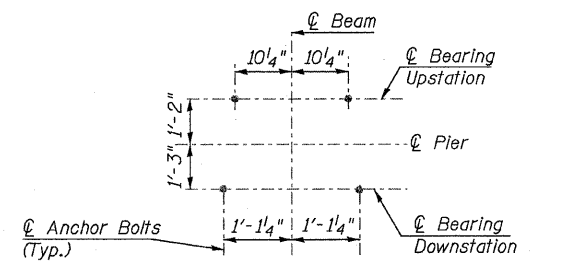
**PILE DATA**  
 Type: HP 14x73  
 Nominal Req'd Bearing: 578 Kip  
 Allowable Resistance: 192 Kip  
 Est. Length: 50'  
 No. Production Piles: 35  
 No. Test Piles: 1.



**SEC. M-M**



**SEC. N-N**



**DETAIL 'C' BEARING ANCHOR BOLTS LOCATION**

**Notes:**

- Space reinforcement in cap to miss anchor bolts. Pour steps monolithically with cap.
- Pier cap reinforcement is the same on both sides of 1" gap.
- See Sheet S42 for bill of material & Sheet S43 for details.

Min. Lap Splice  
 #5 = 1'-8"  
 #8 = 4'-6"  
 #10 = 7'-3"

REVISIONS		ILLINOIS DEPARTMENT OF TRANSPORTATION
NAME	DATE	
		<b>PIER 9</b> FAP 330 US 12/45 (MANNHEIM RD.) OVER 500 LINE RR & FRANKLIN AVE. STRUCTURE NO. 016-2815 SECTION 465 VB-R-1 STA. 183+33.30 DATE 7/2009

**EARTH TECH | AECOM**