

F.A.P.	SECTION	COUNTY	TOTAL SHEETS	SHEET NO.
330	465 VB-R-1	COOK	103	78
STA. 173+50 TO STA. 195+00				
FED. ROAD DIST. NO. 7		ILLINOIS	FED. AID PROJECT	
Contract # 60407		SHEET NO. 545 of 560		

Notes:

All cast iron parts shall be gray iron conforming to the requirements of AASHTO M 105, Class 35B.

Bolts, anchor studs, washers and nuts shall conform to the requirements of ASTM A 307 and shall be galvanized according to AASHTO M 232.

Downspouts located on the exterior side of a painted steel fascia beam shall be painted with the finish coat specified for the exterior side of the fascia beam.

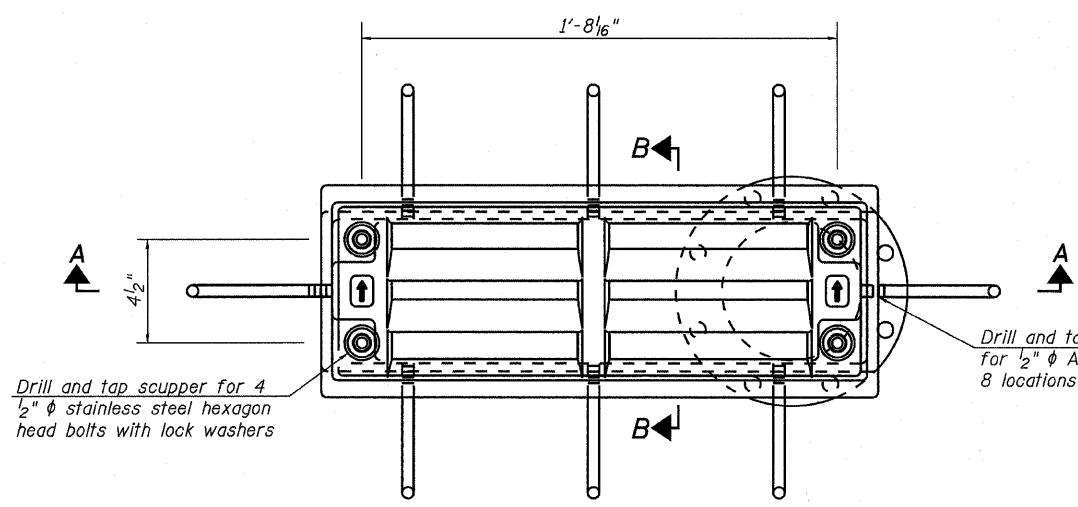
As an alternate, bolts, anchor studs, washers and nuts may be stainless steel according to Article 1006.29(d) of the Standard Specifications.

Structural steel weldments of equal sections and of the same configuration may be substituted for the cast iron scupper frame. Fillet or full penetration welds shall be used for the weldments. Details shall be submitted to the Engineer for approval. Structural steel weldments shall not be substituted for the cast iron scupper grate. Structural steel frames and downspouts shall be galvanized according to AASHTO M111.

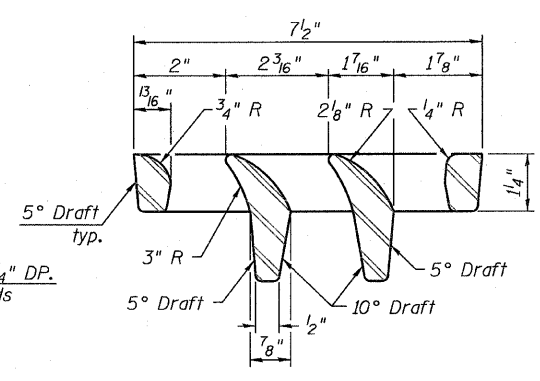
The Contractor shall take appropriate measures to assure that Protective Coat is not applied to the scupper.

Cost of the Grate, Frame, Downspout, Anchor Studs, Bolts, Washers and Nuts including complete installation of the scupper shall be paid for at the contract unit price each for Drainage Scupper, DS-12.

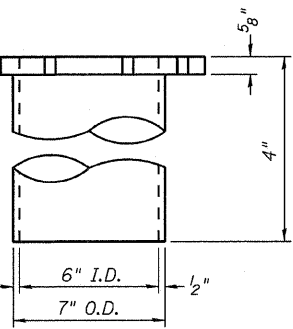
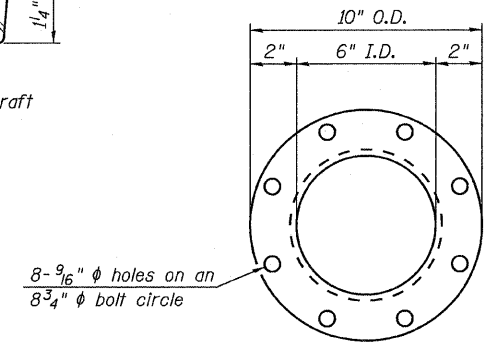
Alternate fiberglass downspout conforming to ASTM D 2996 with a short-time rupture strength hoop tensile stress of 30,000 psi min. may be used in lieu of the cast iron or steel equivalent.



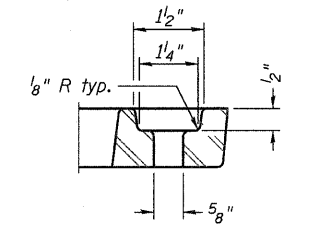
PLAN



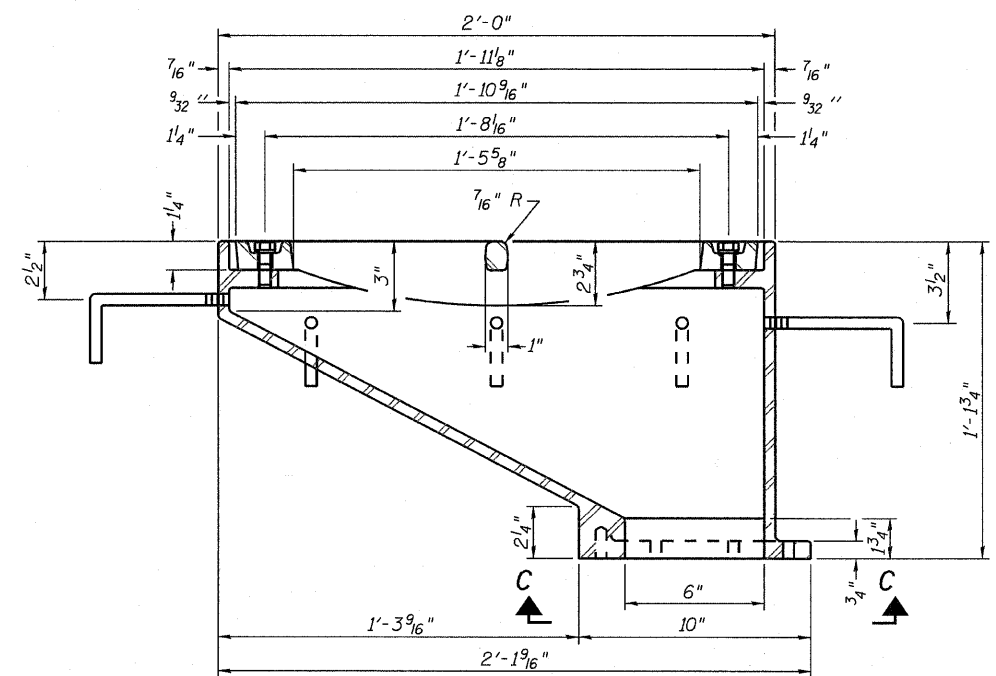
VANE GRATE DETAIL



DOWNSPOUT

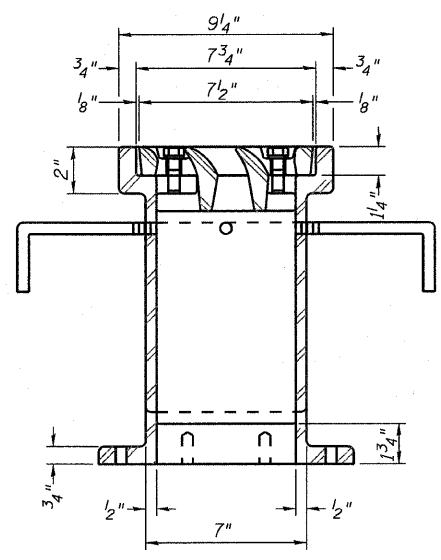


BOLT HOLE DETAIL



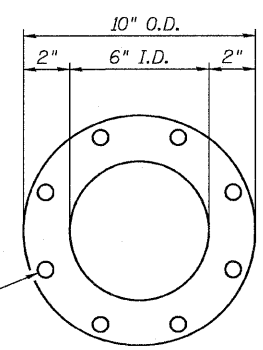
SECTION A-A

See sheet of for scupper location relative to parapet.

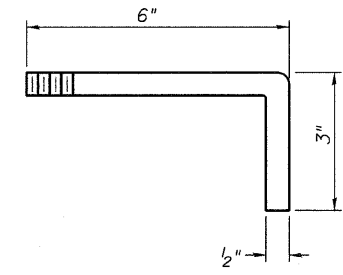


SECTION B-B

Drill and tap 8 holes for 1/2"-13 bolts on an 8 3/4"  $\phi$  bolt circle. (2 blind holes are 1 1/4" deep, 6 thru holes)



VIEW C-C



ANCHOR STUD DETAIL

BILL OF MATERIAL

Item	Unit	Total
Drainage Scuppers, DS-12	Each	16

REVISIONS		ILLINOIS DEPARTMENT OF TRANSPORTATION
NAME	DATE	
		<b>DRAINAGE SCUPPER DS-12</b> FAP 330 US 12/45 (MANNHEIM RD.) OVER 500 LINE RR & FRANKLIN AVE. STRUCTURE NO. 016-2815 SECTION 465 VB-R-1 COOK COUNTY STA. 183+33.30 DRAWN BY JHR DATE 7/2009 CHECKED BY CLS

EARTHTECH | AECOM