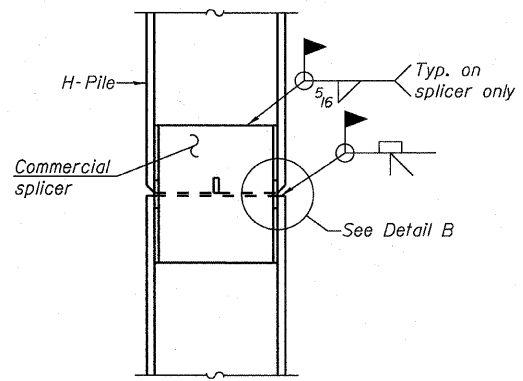
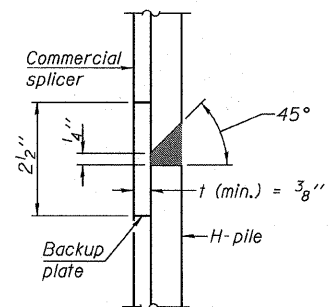


STEEL PILE TABLE

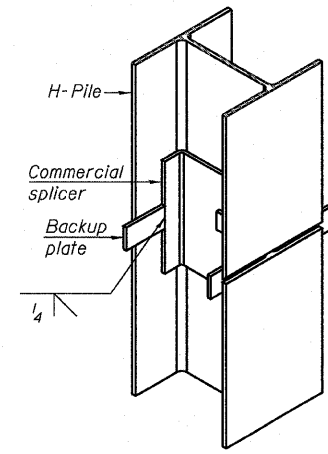
Designation	Depth d	Flange width bf	Web and Flange thickness t	Encasement diameter A
HP 14x117	14 1/4"	14 7/8"	1 3/16"	30"
x102	14"	14 3/4"	1 1/16"	30"
x89	13 7/8"	14 3/4"	5/8"	30"
x73	13 5/8"	14 5/8"	1/2"	30"
HP 12x84	12 1/4"	12 1/4"	1 1/16"	24"
x74	12 1/8"	12 1/4"	5/8"	24"
x63	12"	12 1/8"	1/2"	24"
x53	11 3/4"	12"	7/16"	24"
HP 10x57	10"	10 1/4"	9/16"	24"
x42	9 3/4"	10 1/8"	7/16"	24"
HP 8x36	8"	8 1/8"	7/16"	18"



ELEVATION

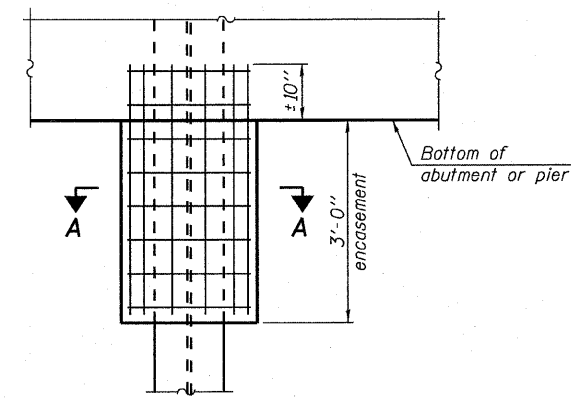


DETAIL "B"

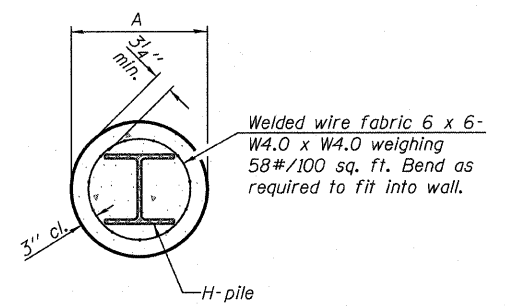


ISOMETRIC VIEW

WELDED COMMERCIAL SPLICE



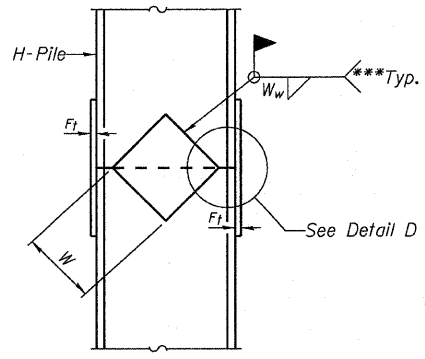
ELEVATION



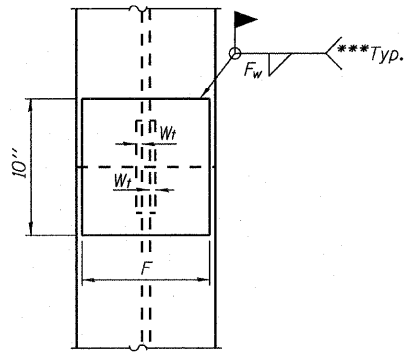
SECTION A-A

Note: Forms for encasement may be omitted when soil conditions permit.

PILE ENCASEMENT

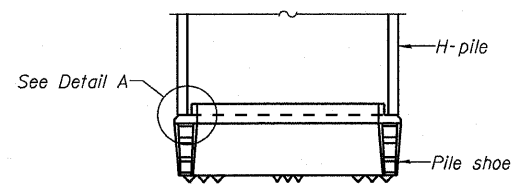


ELEVATION

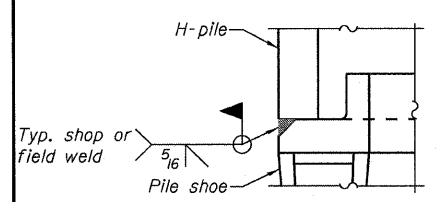


END VIEW

Designation	F	Ft	Fw	W	Wt	Ww
HP 14x117	12 1/2"	1"	7/8"	7 3/4"	5 8/16"	1/2"
x102	12 1/2"	7/8"	3/4"	7 3/4"	5 8/16"	1/2"
x89	12 1/2"	3/4"	1 1/16"	7 3/4"	5 8/16"	1/2"
x73	12 1/2"	5/8"	9/16"	7 3/4"	5 8/16"	1/2"
HP 12x84	10"	7/8"	1 1/16"	6 1/2"	5 8/16"	1/2"
x74	10"	7/8"	1 1/16"	6 1/2"	5 8/16"	1/2"
x63	10"	5/8"	1/2"	6 1/2"	1/2"	3/8"
x53	10"	5/8"	1/2"	6 1/2"	1/2"	3/8"
HP 10x57	8"	3/4"	9/16"	5 1/4"	1/2"	3/8"
x42	8"	5/8"	9/16"	5 1/4"	1/2"	3/8"
HP 8x36	7"	5/8"	7/16"	4 1/4"	1/2"	3/8"

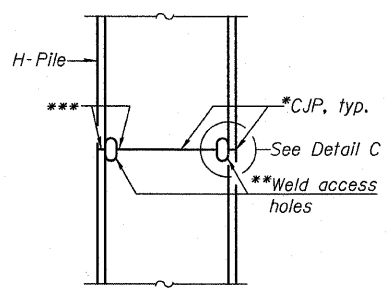


ELEVATION

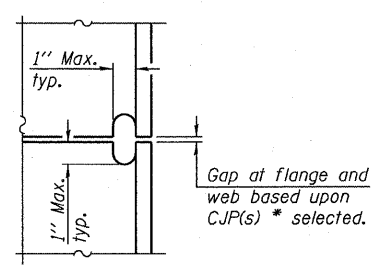


DETAIL A

H-PILE SHOE ATTACHMENT

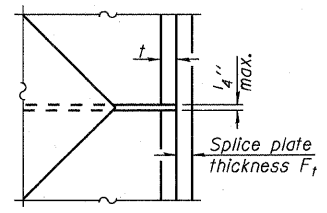


ELEVATION



DETAIL C

COMPLETE PENETRATION WELD SPLICE



DETAIL D

WELDED PLATE FIELD SPLICE

*Use joint conforming to Figure 3.4 in AWS D1.1, Structure Welding Code - Steel.
 **Preparation per Fig. 5.2 in AWS D1.1, Structure Welding Code - Steel.
 ***Interrupt welds 1/4" from end of each pile.

Note: The steel H-piles shall be according to AASHTO M270 Grade 50.

EARTH TECH | AECOM

REVISIONS	
NAME	DATE

ILLINOIS DEPARTMENT OF TRANSPORTATION
STEEL H-PILE DETAILS
 FAP 330 US 12/45 (MANNHEIM RD.) OVER
 SOO LINE RR & FRANKLIN AVE.
 STRUCTURE NO. 016-2815
 SECTION 465 VB-R-1
 STA. 183+33.30
 DATE 7/2009
 COOK COUNTY
 DRAWN BY JHR
 CHECKED BY DEV