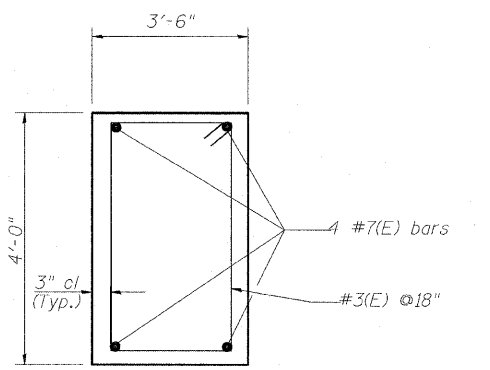
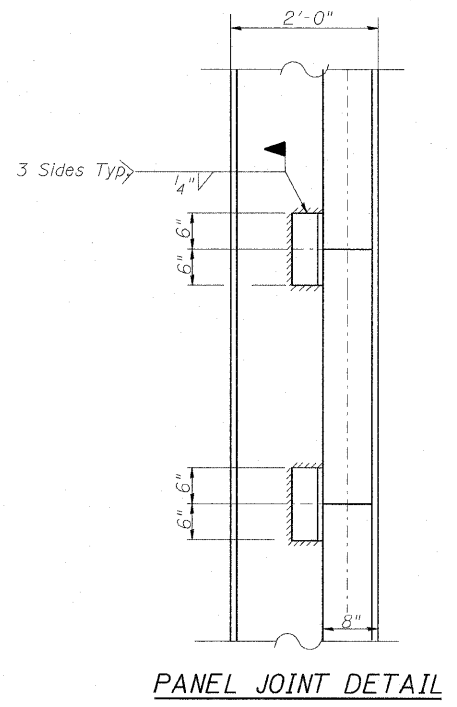
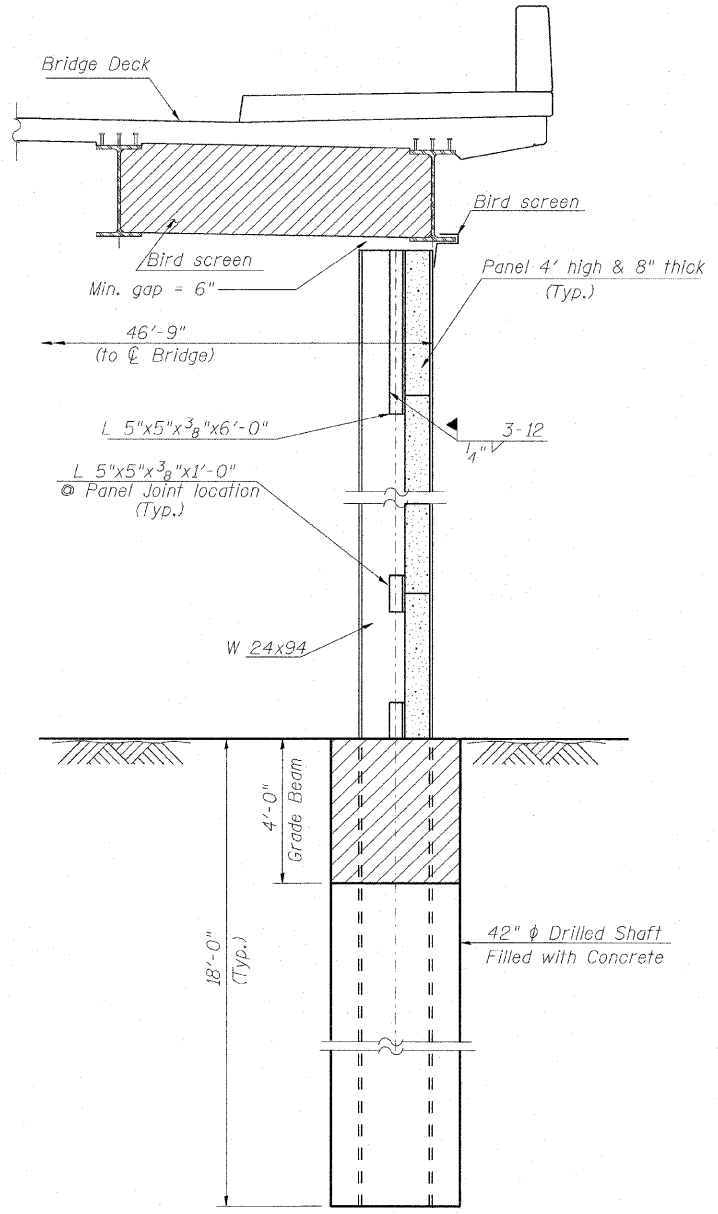
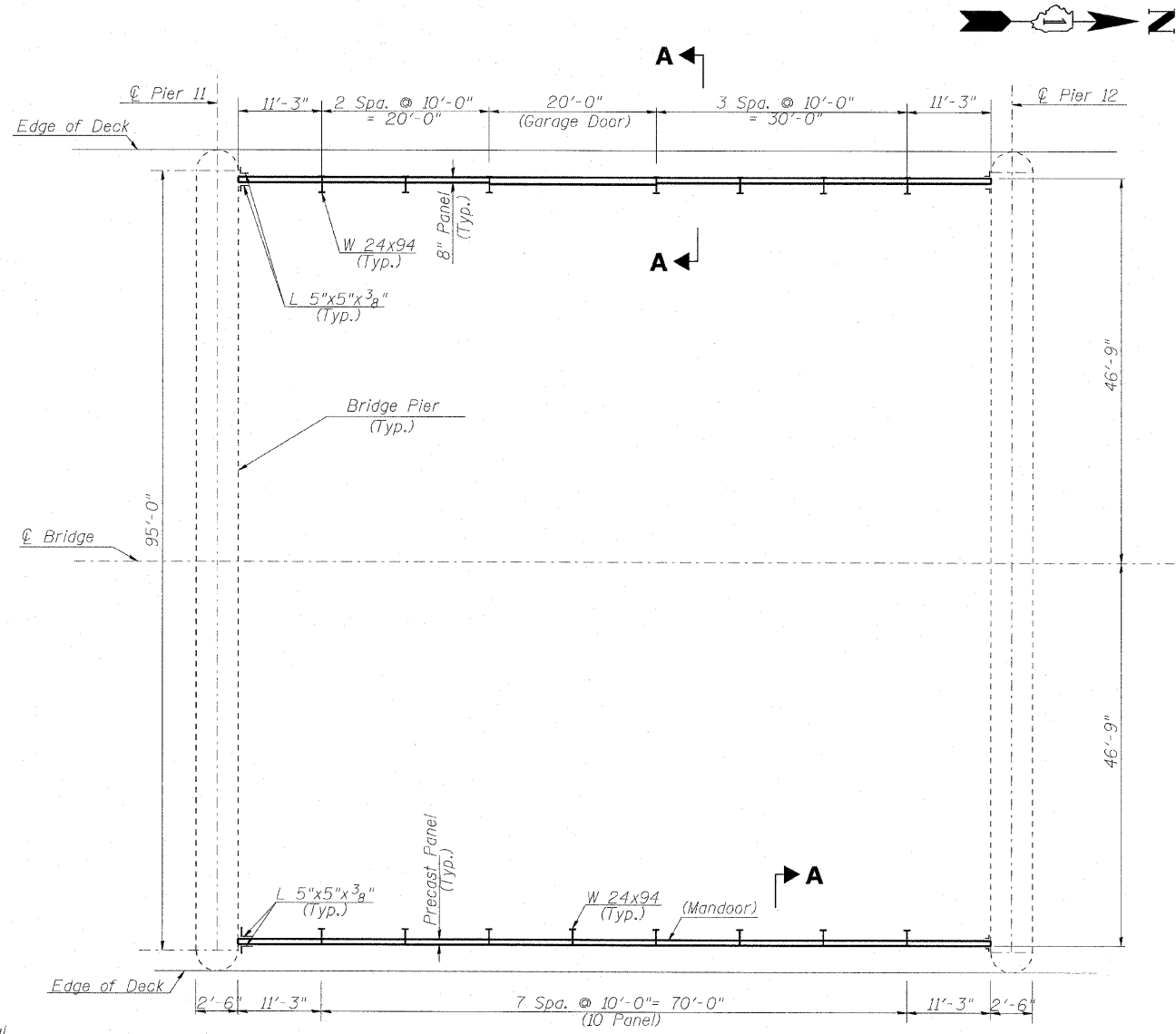


F.A.P.	SECTION	COUNTY	TOTAL SHEETS	SHEET NO.
330	465 VB-R-1	COOK	103	92
STA. 173+50 TO STA. 195+00		FED. ROAD DIST. NO. 7 ILLINOIS FED. AID PROJECT		
Contract # 60407		SHEET NO. S 59 of S60		

NOTES:

1. Calculated weight of Structural Steel Gr 36 = 57,332 Lbs.
2. All structural steel shall be AASHTO M 270 Grade 36 at minimum; piles may be Grade 50.
3. Reinforcement bars shall conform to the requirements of ASTM A 706 Gr 60. See Special Provisions.
4. Reinforcement bars designated (E) shall be epoxy coated.
5. All welds shall be made with E70XX electrodes and conform to the latest AWS Specification.
6. All Concrete shall be Class S1 with a minimum compressive strength of 3,500 psi at 14 days.
7. Contractor is responsible for all temporary bracing.
8. Contractor shall verify location of all utilities prior to installation of drilled shafts.
9. Lighting will be furnished and installed by others.
10. Bird screen, mandoor, and garage door will be furnished and installed by others.
11. Connection, support, and reinforcement details as shown here are minimum requirements. Contractor is responsible for providing final design details and calculations.
12. Soldier pile and precast concrete panel fabricators shall coordinate final dimensions with Contractor prior to member fabrication.



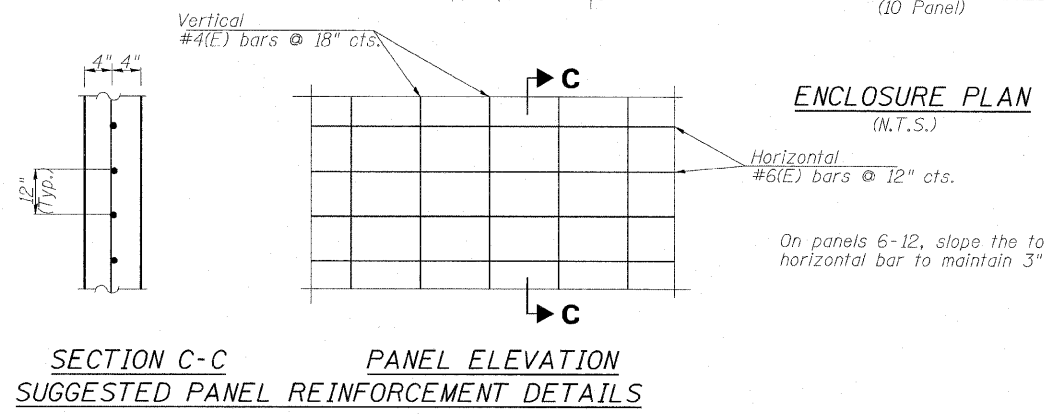
BILL OF MATERIAL

ITEM	UNIT	TOTAL
Maintenance Enclosure	L. Sum	1

SECTION A-A

GRADE BEAM DETAIL

Grade beam reinforcement to extend around the steel piles to develop a continuous beam.



REVISIONS		ILLINOIS DEPARTMENT OF TRANSPORTATION MAINTENANCE ENCLOSURE PLAN
NAME	DATE	
		FAP 330 US 12/45 (MANNHEIM RD.) OVER 500 LINE RR & FRANKLIN AVE. STRUCTURE NO. 016-2815 SECTION 465 VB-R-1 STA. 183+33.30 DATE 7/2009

EARTH TECH | AECOM