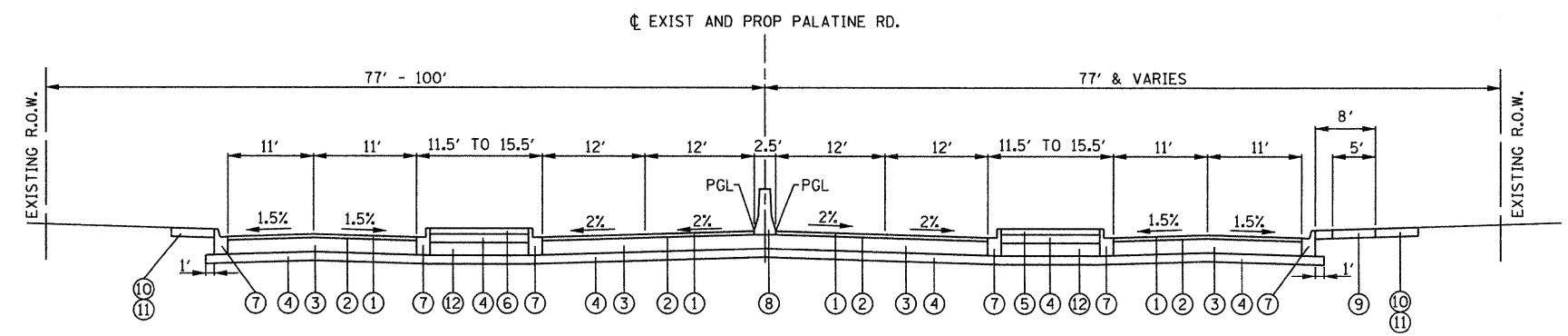


- EXISTING LEGEND**
- (A) HOT-MIX ASPHALT CONCRETE SURFACE (2.5-INCH & VARIES)
 - (B) PORTLAND CEMENT CONCRETE PAVEMENT (10-INCH)
 - (C) SUB-BASE GRANULAR MATERIAL (6-INCH)
 - (D) HOT-MIX ASPHALT/CONCRETE MEDIAN SURFACE
 - (E) COMBINATION CONCRETE CURB AND GUTTER B6.12
 - (F) CONCRETE BARRIER & BASE
 - (G) SIDEWALK
 - (H) TOPSOIL



- PROPOSED LEGEND**
- (1) POLYMERIZED HOT-MIX ASPHALT SURFACE COURSE, MIX F, N90, 1 3/4" (40603595)
 - (2) LEVELING BINDER (MACHINE METHOD), N70, 3/4" (40600635)
 - (3) PORTLAND CEMENT CONCRETE BASE COURSE 10" (35300500)
 - (4) SUB-BASE GRANULAR MATERIAL, TYPE B 6" (31101400)
 - (5) HOT-MIX ASPHALT MEDIAN SURFACE, 4 INCH (60618200)
 - (6) CONCRETE MEDIAN SURFACE, 4 INCH (60618300)
 - (7) COMBINATION CONCRETE CURB AND GUTTER REMOVAL AND REPLACEMENT (44001700)
 - (8) CONCRETE BARRIER, DOUBLE FACE, 32 INCH HEIGHT (63700255)
 - (9) PORTLAND CEMENT CONCRETE SIDEWALK 5 INCH (42400200)
 - (10) TOPSOIL FURNISH AND PLACE, 6" (21101625)
 - (11) SODDING, SALT TOLERANT (25200110)
 - (12) EMBANKMENT

FOR DETAILS OF CURB AND GUTTER CONSTRUCTION
SEE DETAIL BD-24

MIX DESIGNS	AC TYPE	AIR VOIDS
HOT-MIX ASPHALT PAVEMENT		
POLYMERIZED HMA SC, MIX "F", N90, IL-9.5mm (1 3/4")	SBS/SBR PG70-22	4% @ 90 GYRATIONS
LEVELING BINDER (MACHINE METHOD), N70, IL-9.5mm (3/4")	PG64-22	4% @ 70 GYRATIONS
TEMPORARY PAVEMENT - (9.5")		
HMA SURFACE COURSE, MIX "D" N50, IL-9.5mm (1.5")	PG64-22	4% @ 50 GYRATIONS
HMA BINDER COURSE IL-19.0 (8")	PG64-22	4% @ 50 GYRATIONS
MEDIAN SURFACE - (4")		
HMA SURFACE COURSE, MIX "C" N50, IL-9.5mm (4")	PG64-22	4% @ 50 GYRATIONS
GUARDRAIL STABILIZATION - (6")		
HMA SHOULDER (6") (HMA BINDER COURSE, IL-19 mm)	PG64-22	2% @ 30 GYRATIONS

THE UNIT WEIGHT USED TO CALCULATE ALL HOT-MIX ASPHALT MIXTURES IS 112 LBS/SY/IN.