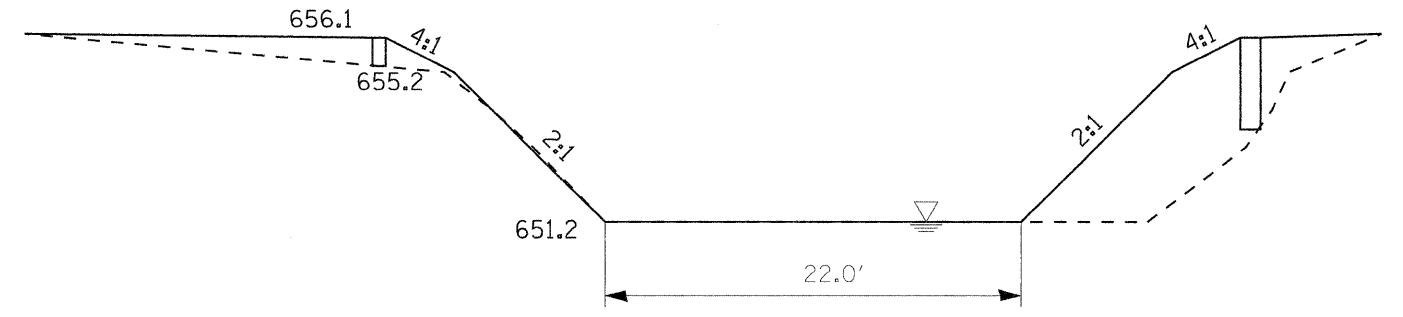
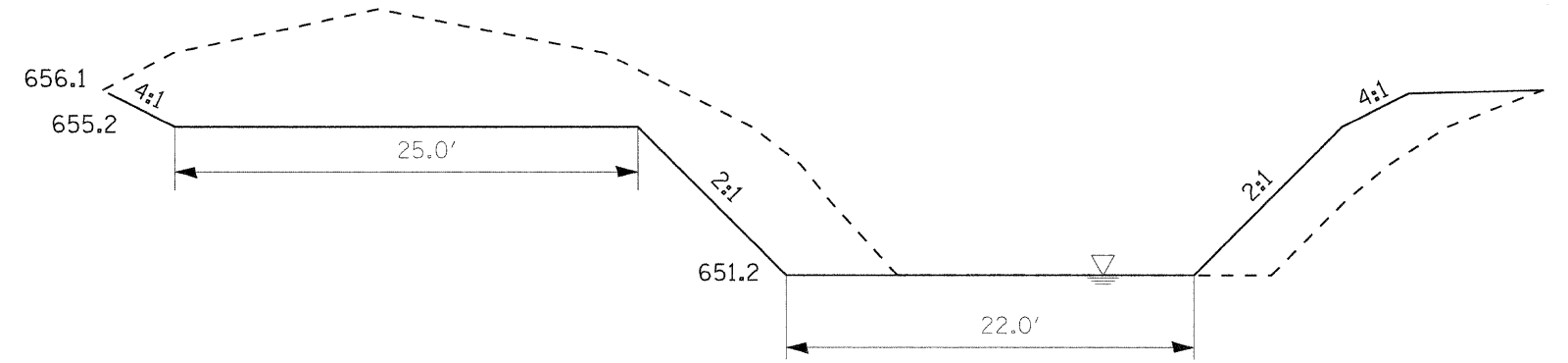


SEE MCDONALD CREEK CULVERT PLAN SHEET

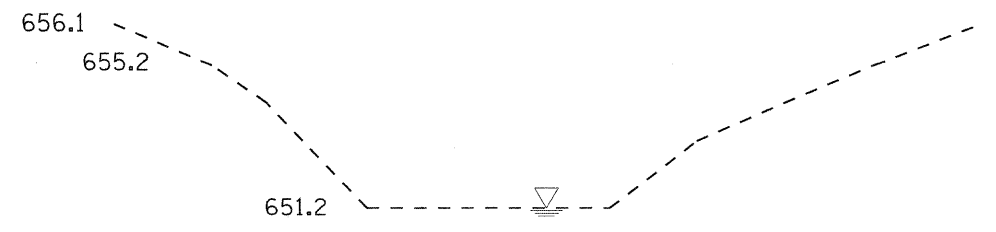
SECTION A



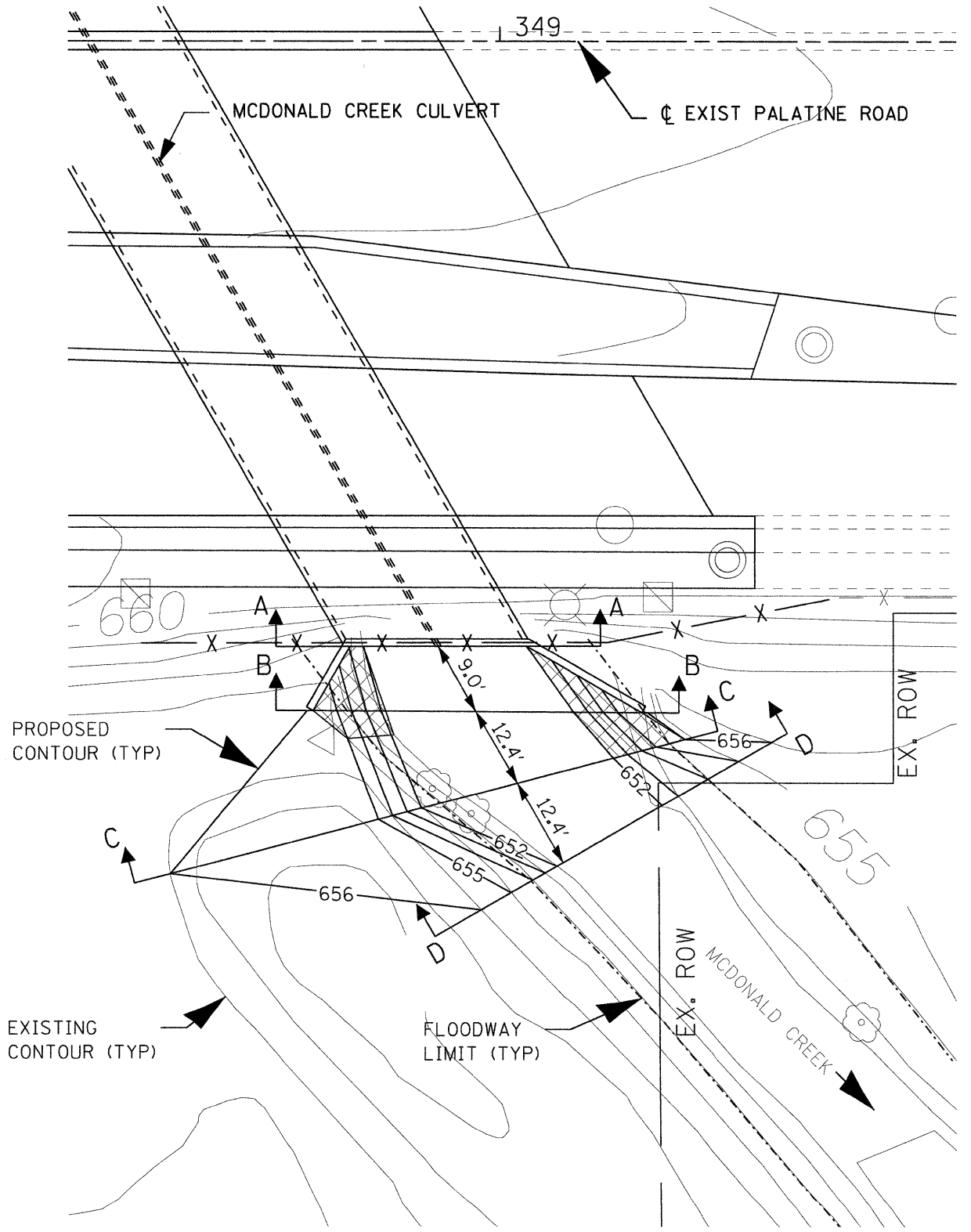
SECTION B

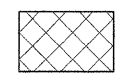


SECTION C



SECTION D



 TURF REINFORCEMENT MAT (25100900)
6.5 SQ YD

FILE NAME =	USER NAME = 2kujawo	DESIGNED - DLP	REVISED - <i>Added 10/9/09</i>
G:\PROJECT\2002305\CADD\Civil\Mod\002\Grading_Exhibit2.dgn		DRAWN - ENTRAN	REVISED -
PLOT SCALE = 10.00' / IN.		CHECKED - TMH	REVISED -
PLOT DATE = 10/09/2009		DATE - 03/09	REVISED -

STATE OF ILLINOIS
DEPARTMENT OF TRANSPORTATION

MCDONALD CREEK CULVERT
CULVERT GRADING PLAN

SCALE: 1" = 20' SHEET NO. OF SHEETS STA. TO STA.

F.A.P. RTE. 305	SECTION 0913.1-T	COUNTY COOK	TOTAL SHEETS 39	SHEET NO. 14A
CONTRACT NO. 60E53				
FED. ROAD DIST. NO. 1 ILLINOIS FED. AID PROJECT				