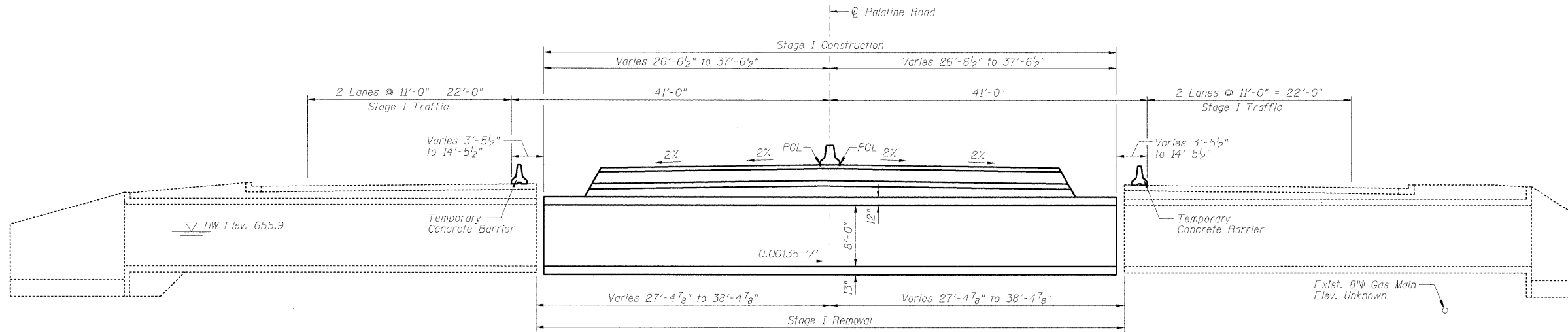
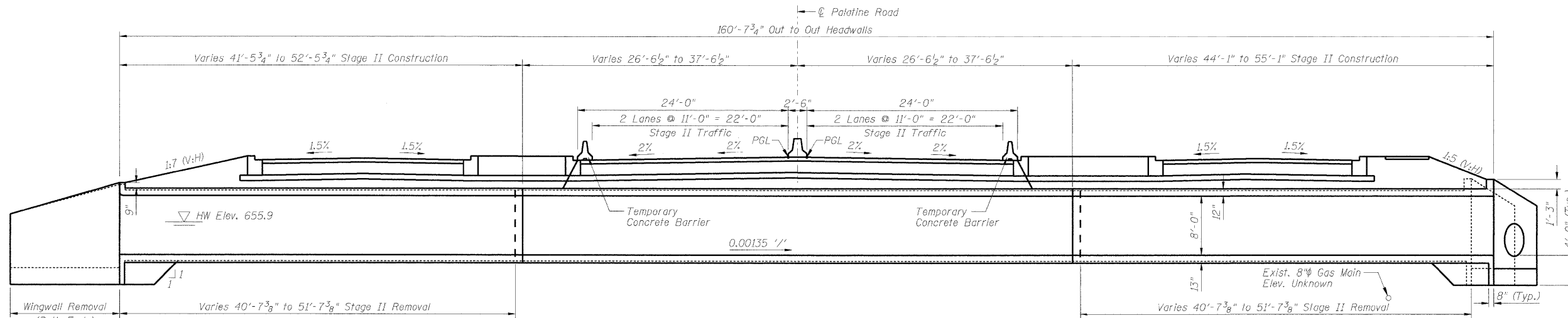


STATE OF ILLINOIS  
DEPARTMENT OF TRANSPORTATION



**STAGE I**

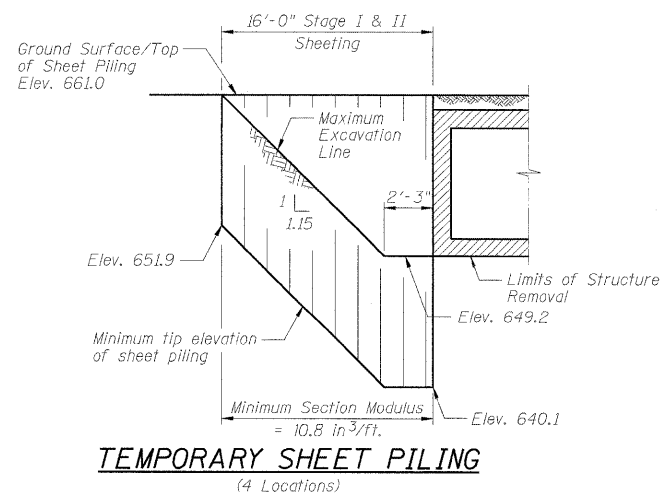
(Horizontal Dimensions @ Rt. L's to @ Palatine Rd.)  
(Looking East)



**STAGE II**

(Horizontal Dimensions @ Rt. L's to @ Palatine Rd.)  
(Looking East)

Note:  
See Roadway Plans for quantity of Temporary Concrete Barrier.



**TEMPORARY SHEET PILING**

(4 Locations)

Notes:  
If the Contractor chooses to alter the temporary cantilevered sheet piling design requirements shown on the plans, a design submittal including plan details and calculations will be required for review and acceptance by the Engineer.

On the west side of culvert, there are various existing and proposed storm sewer pipes. For sizes and locations see Roadway Plans. The Contractor shall take into consideration locations of storm sewers when installing temporary sheet piling.

**BILL OF MATERIAL**

ITEM	UNIT	QUANTITY
Removal of Existing Structures	Each	1
Temporary Sheet Piling	Sq. Ft.	1,338

**STAGE CONSTRUCTION**  
**PALATINE ROAD OVER McDONALD CREEK**  
**SECTION 0913.1-T**  
**COOK COUNTY**  
**STA. 348+44.50**  
**STRUCTURE NO. 016-7947**

SHEET NO.	F.A.P. RTE.	SECTION	COUNTY	TOTAL SHEETS	SHEET NO.
2	305	0913.1-T	COOK	39	27
OF 8 SHEETS		SN 016-7947		CONTRACT NO. 60E53	
FED. ROAD DIST. NO. 7 ILLINOIS FED. AID PROJECT					

6/29/2009 5:33:00 PM G:\p\proj\2008\2305\Subcons\plan\Zroka\016-7947-002-StageC\016-7947-002-StageC.dgn