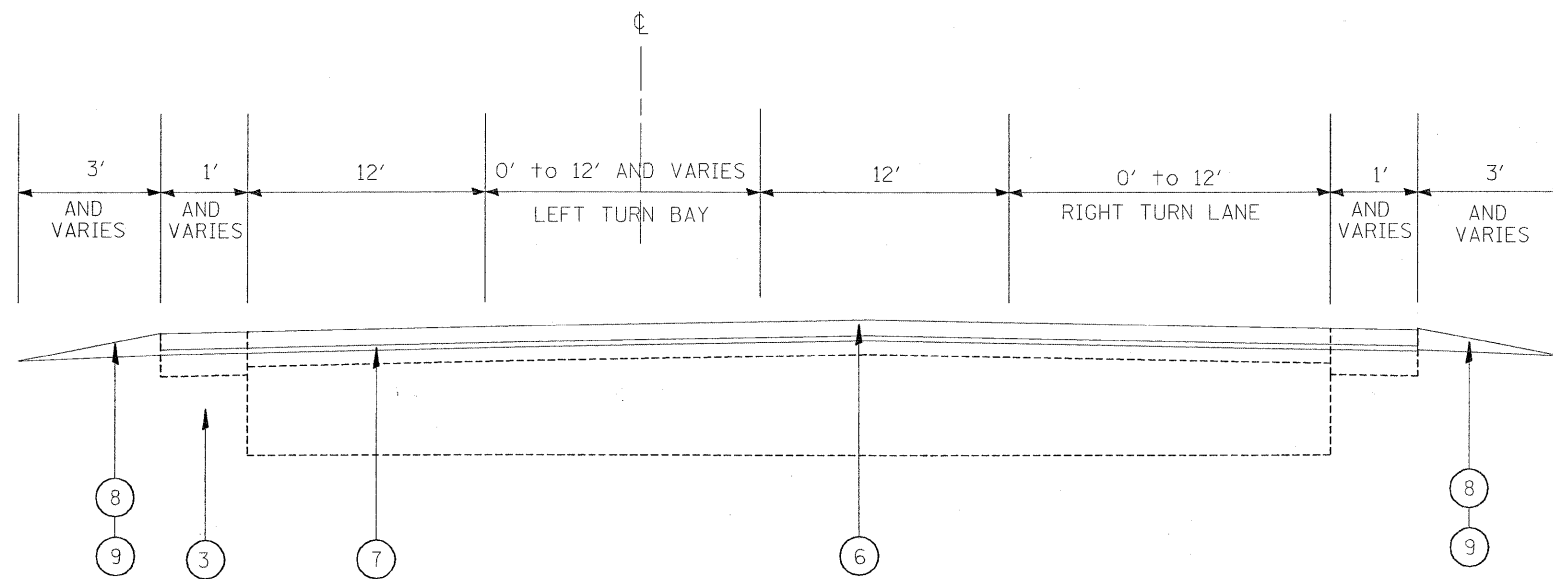


LAKE-COOK ROAD
EXISTING TYPICAL SECTION
STA. 171+00 TO STA. 182+00



LAKE-COOK ROAD
PROPOSED TYPICAL SECTION
STA. 171+00 TO STA. 182+00

LEGEND

- ① EXISTING HOT-MIX ASPHALT SURFACE, 5 1/4" (+/-)
- ② EXISTING P.C.C. BASE COURSE, 9" (+/-)
- ③ EXISTING COMBINATION CONCRETE CURB & GUTTER, TYPE B-6.12
- ④ EXISTING AGGREGATE SHOULDER
- ⑤ PROPOSED HOT-MIX ASPHALT SURFACE REMOVAL, 2 1/4"
- ⑥ PROPOSED HOT-MIX ASPHALT SURFACE COURSE, MIX "D", N70, 1 1/2"
- ⑦ PROPOSED POLYMERIZED LEVELING BINDER (MACHINE METHOD), IL-4.5, N50, 3/4"
- ⑧ PROPOSED AGGREGATE WEDGE SHOULDER TYPE B
- ⑨ PROPOSED GRADING AND SHAPING SHOULDERS

* C & G FROM STA. 172+00 TO STA. 175+01 ON RIGHT

MILLING TO BE DONE BEFORE PATCHING

FILE NAME =	USER NAME = banks1	DESIGNED -	REVISED -	STATE OF ILLINOIS DEPARTMENT OF TRANSPORTATION	LAKE-COOK RD./MAIN STREET: KANE/MCHENRY/COOK COUNTY LINE EXISTING AND PROPOSED TYPICAL CROSS SECTIONS	F.A.P. RTE.	SECTION	COUNTY	TOTAL SHEETS	SHEET NO.	
cr:\pw\work\p1\dot\banks1\08142768\017578	9-shr-plan.dgn	DRAWN -	REVISED -			1270	3017 RS-3	COOK	21	5	
	PLOT SCALE = 49.9999' / IN.	CHECKED -	REVISED -			SCALE: SHEET NO. OF SHEETS STA. TO STA.		FED. ROAD DIST. NO. 1 [ILLINOIS] FED. AID PROJECT			
	PLOT DATE = 6/22/2009	DATE -	REVISED -			CONTRACT NO. 60H59					