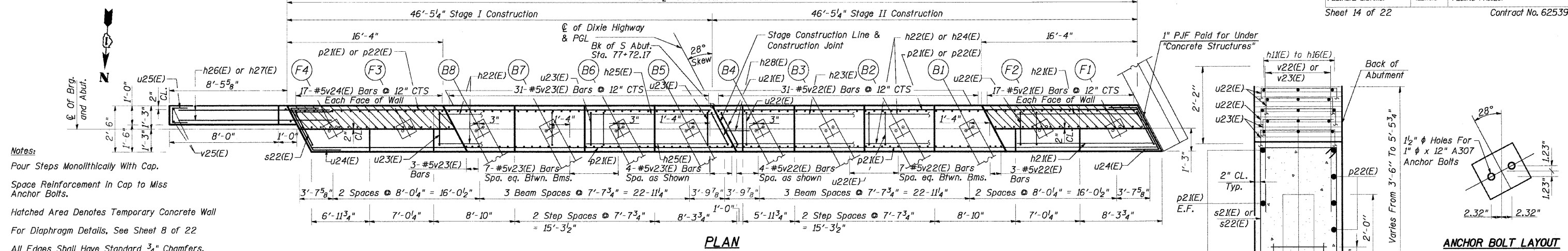


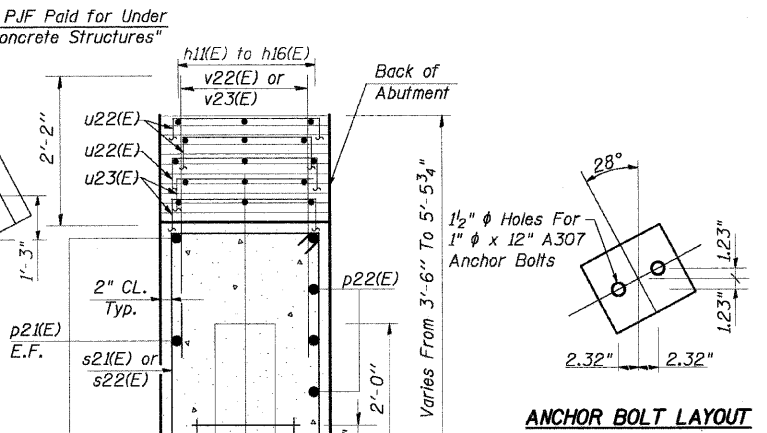
STATE OF ILLINOIS  
DEPARTMENT OF TRANSPORTATION

F.A.R.T.E.	SECTION	COUNTY	TOTAL SHEETS	SHEET NO.
2843	3249B-R	COOK	64	38
FED. ROAD DIST. NO.	ILLINOIS	FED. AID PROJECT		
Sheet 14 of 22		Contract No. 62539		

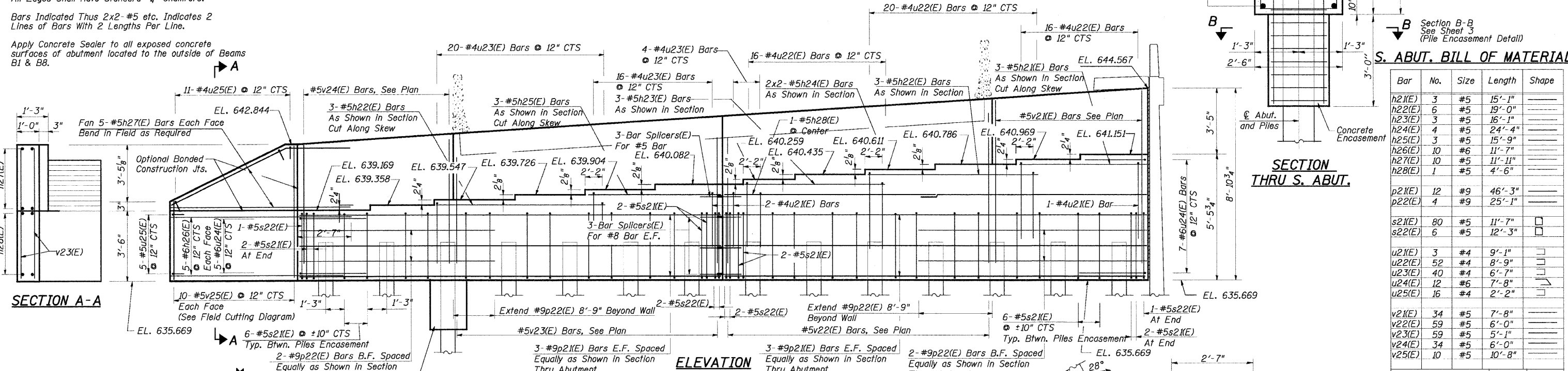
92'-10 1/2" Out to Out South Abutment



**Notes:**  
 Pour Steps Monolithically With Cap.  
 Space Reinforcement in Cap to Miss Anchor Bolts.  
 Hatched Area Denotes Temporary Concrete Wall  
 For Diaphragm Details, See Sheet 8 of 22  
 All Edges Shall Have Standard 3/4" Chamfers.  
 Bars Indicated Thus 2x2-#5 etc. Indicates 2 Lines of Bars With 2 Lengths Per Line.  
 Apply Concrete Sealer to all exposed concrete surfaces of abutment located to the outside of Beams B1 & B8.



PLAN



SECTION A-A

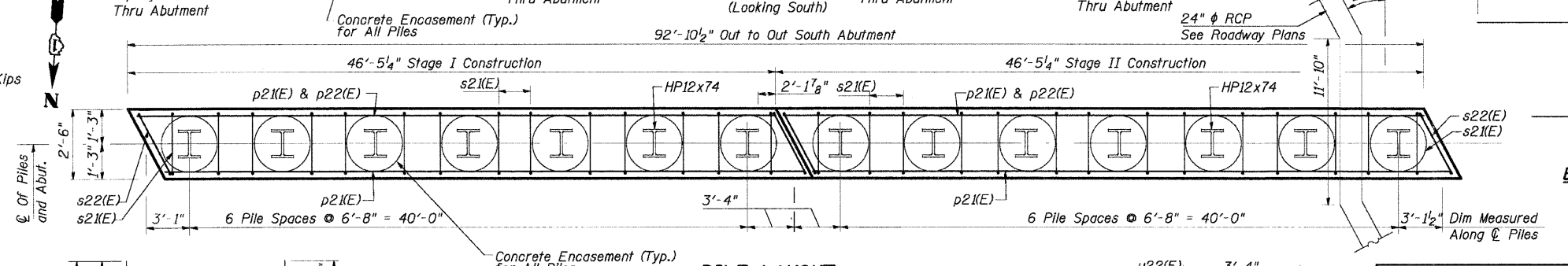
SECTION THRU S. ABUT.

S. ABUT. BILL OF MATERIAL

Bar	No.	Size	Length	Shape
h21(E)	3	#5	15'-1"	—
h22(E)	6	#5	19'-0"	—
h23(E)	3	#5	16'-1"	—
h24(E)	4	#5	24'-4"	—
h25(E)	3	#5	15'-9"	—
h26(E)	10	#6	11'-7"	—
h27(E)	10	#5	11'-11"	—
h28(E)	1	#5	4'-6"	—
p21(E)	12	#9	46'-3"	—
p22(E)	4	#9	25'-1"	—
s21(E)	80	#5	11'-7"	□
s22(E)	6	#5	12'-3"	□
u21(E)	3	#4	9'-1"	□
u22(E)	52	#4	8'-9"	□
u23(E)	40	#4	6'-7"	□
u24(E)	12	#6	7'-8"	□
u25(E)	16	#4	2'-2"	□
v21(E)	34	#5	7'-8"	—
v22(E)	59	#5	6'-0"	—
v23(E)	59	#5	5'-1"	—
v24(E)	34	#5	6'-0"	—
v25(E)	10	#5	10'-8"	—
Reinforcement Bars, Epoxy Coated	Pound		6,000	
Concrete Structures	Cu. Yd.		40	
Bar Splicers	Each		9	
Furnishing Steel Piles HP12x74	Foot		600	
Driving Piles	Foot		600	
Test Pile Steel, HP12x74	Each		1	
Pile Shoes	Each		13	
Structure Excavation	Cu. Yd.		15	
Concrete Sealer	Sq. Ft.		480	
Concrete Encasement	Cu. Yd.		5	

**PILE DATA**

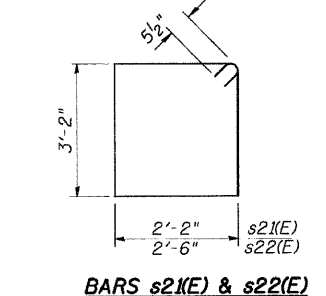
Type: HP12x74  
 Nominal Required Bearing: 589 Kips  
 Allowable Resistance Available: 196 Kips  
 Est. Total Length: 45'-0"  
 No. Required: 13 + 1 Test Pile  
 Negative Skin Friction: 30 Kips/Pile  
 Provide Pile Shoes for all Piles



PILE LAYOUT

**LEGEND**

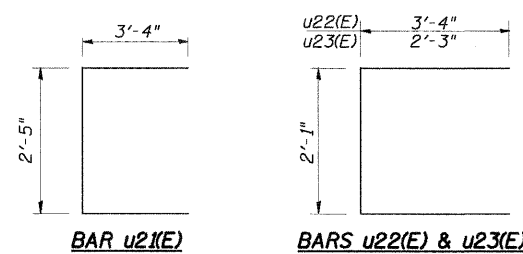
- Indicates Temporary Wall
- B.F. Indicates Back Face of Abutment
- E.F. Indicates Each Face of Abutment



BARS s21(E) & s22(E)

**FIELD CUTTING DIAGRAM**

Order v25(E) Full Length. Cut as Shown and Use Remainder of Bars in Opposite Face.



BARS u21(E) BARS u22(E) & u23(E)

REVISIONS	
NAME	DATE

**SOUTH ABUTMENT**

DIXIE HIGHWAY OVER  
 BUTTERFIELD CREEK  
 F.A.U. ROUTE 2843 SECTION 3249B-R  
 STA. 78+55.00  
 COOK COUNTY  
 STRUCTURE NUMBER 016-7946

SCALE: NOT-TO-SCALE  
 DATE 6-25-09

DRAWN BY BY  
 DESIGNED BY BS  
 CHECKED BY PK



\$PINTB.\$S  
 \$PL.DRV\$  
 \$FILES\$  
 \$DATES\$  
 \$TIME\$