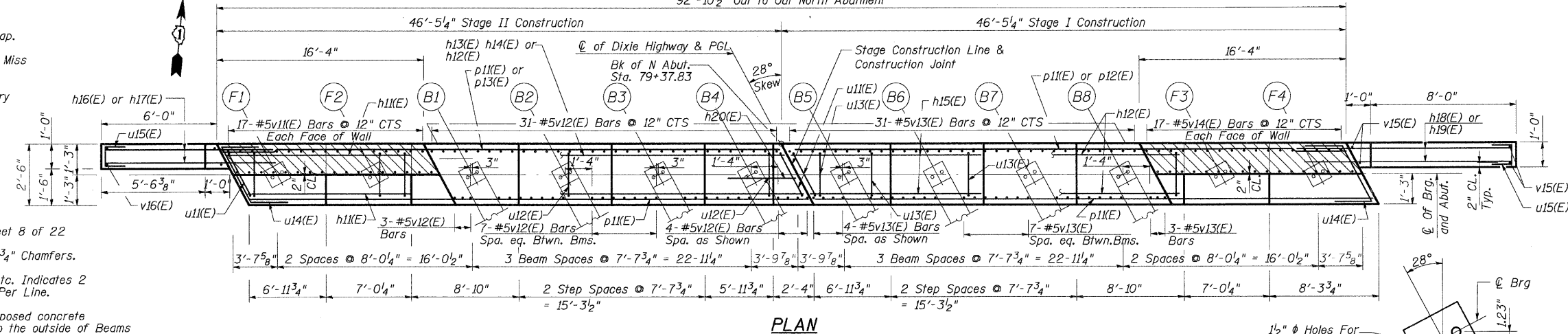


STATE OF ILLINOIS
DEPARTMENT OF TRANSPORTATION

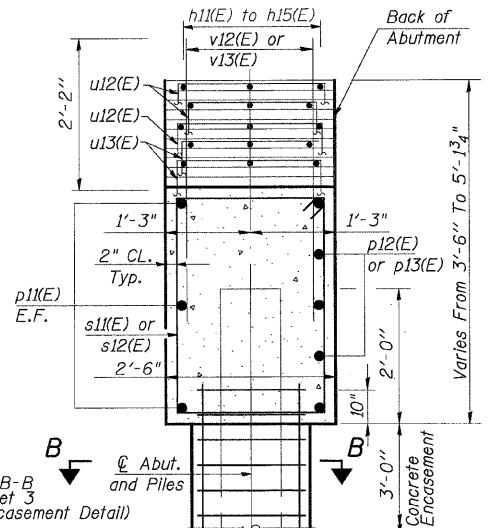
F.A.R.T.E.	SECTION	COUNTY	TOTAL SHEETS	SHEET NO.
2843	3249B-R	COOK	64	39

FED. ROAD DIST. NO. ILLINOIS FED. AID PROJECT-
Sheet 15 of 22 Contract No. 62539

Notes:
Pour Steps Monolithically With Cap.
Space Reinforcement in Cap to Miss Anchor Bolts.
Hatched Area Denotes Temporary Concrete Wall

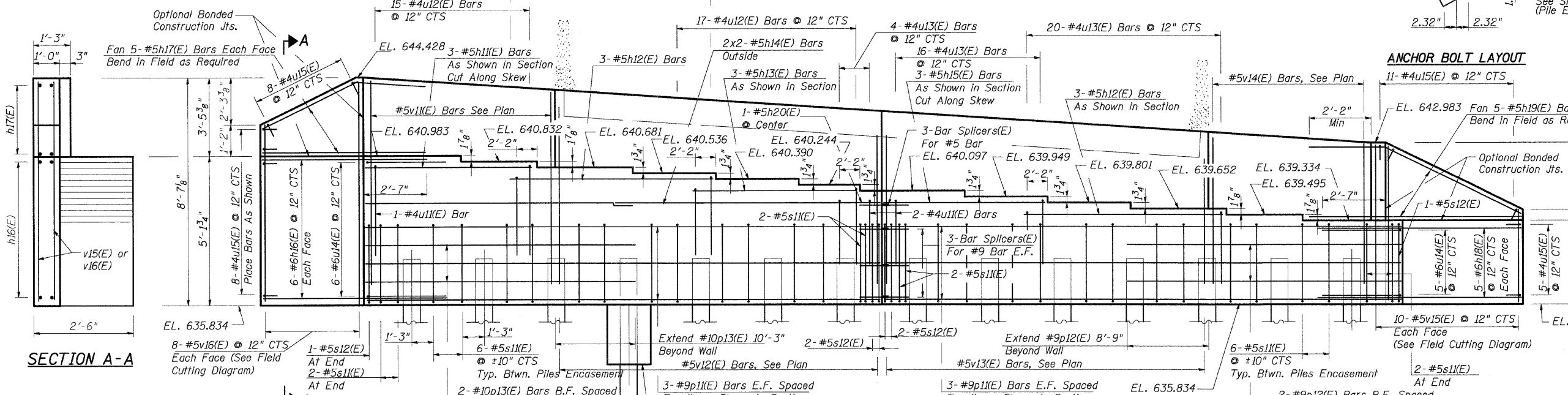


For Diaphragm Details, See Sheet 8 of 22
All Edges Shall Have Standard 3/4" Chamfers.
Bars Indicated Thus 2x2-#5 etc. Indicates 2 Lines of Bars With 2 Lengths Per Line.
Apply Concrete Sealer to all exposed concrete surfaces of abutment located to the outside of Beams B1 & B8.



SECTION THRU N. ABUT.
N. ABUT. BILL OF MATERIAL

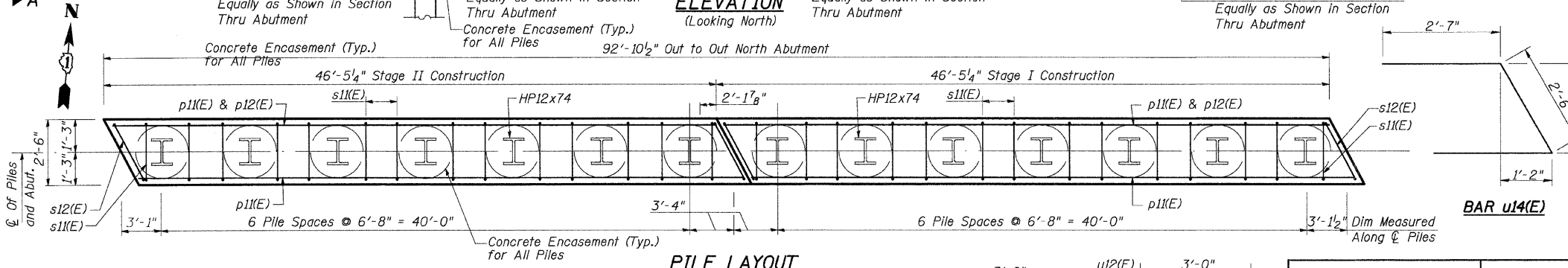
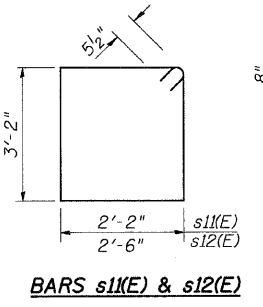
Bar	No.	Size	Length	Shape
h1(E)	3	#5	15'-1"	
h2(E)	6	#5	18'-8"	
h3(E)	3	#5	15'-10"	
h4(E)	4	#5	24'-4"	
h5(E)	3	#5	15'-9"	
h6(E)	12	#6	9'-1"	
h7(E)	10	#5	9'-1"	
h8(E)	10	#6	11'-7"	
h9(E)	10	#5	11'-10"	
h20(E)	1	#5	4'-6"	
p1(E)	12	#9	46'-3"	
p2(E)	2	#9	25'-1"	
p3(E)	2	#10	26'-7"	
s1(E)	80	#5	11'-7"	
s2(E)	6	#5	12'-3"	
u1(E)	3	#4	8'-5"	
u2(E)	52	#4	8'-1"	
u3(E)	40	#4	6'-3"	
u4(E)	11	#6	7'-8"	
u5(E)	32	#4	2'-2"	
v1(E)	34	#5	7'-4"	
v2(E)	59	#5	6'-0"	
v3(E)	59	#5	5'-1"	
v4(E)	34	#5	6'-0"	
v5(E)	10	#5	10'-5"	
v6(E)	8	#5	14'-5"	
Reinforcement Bars, Epoxy Coated	Pound		6,300	
Concrete Structures	Cu. Yds.		42	
Bar Splicers	Each		9	
Furnishing Steel Piles HP12x74	Foot		590	
Driving Piles	Foot		590	
Test Pile Steel, HP12x74	Each		1	
Pile Shoes	Each		13	
Structure Excavation	Cu. Yd.		15	
Concrete Sealer	Sq. Ft.		520	
Concrete Encasement	Cu. Yds.		5	



SECTION A-A

PILE DATA

Type: HP12x74
Nominal Required Bearing: 589 Kips
Allowable Resistance Available: 196 Kips
Est. Total Length: 45'-0"
No. Required: 13 + 1 Test Pile
Negative Skin Friction: 30 Kips/Pile
Provide Pile Shoes for all Piles



LEGEND

- Indicates Temporary Wall
- B.F. Indicates Back Face of Abutment
- E.F. Indicates Each Face of Abutment

FIELD CUTTING DIAGRAM
Order v15(E) Full Length. Cut as Shown and Use Remainder of Bars in Opposite Face.
FIELD CUTTING DIAGRAM
Order v16(E) Full Length. Cut as Shown and Use Remainder of Bars in Opposite Face.

REVISIONS	
NAME	DATE

NORTH ABUTMENT

DIXIE HIGHWAY OVER BUTTERFIELD CREEK
F.A.U. ROUTE 2843 SECTION 3249B-R
STA. 78+55.00
COOK COUNTY
STRUCTURE NUMBER 016-7946

SCALE: NOT-TO-SCALE
DATE 6-25-09

DRAWN BY BV
DESIGNED BY BS
CHECKED BY PK



FILES# #DAYS# #TIME#