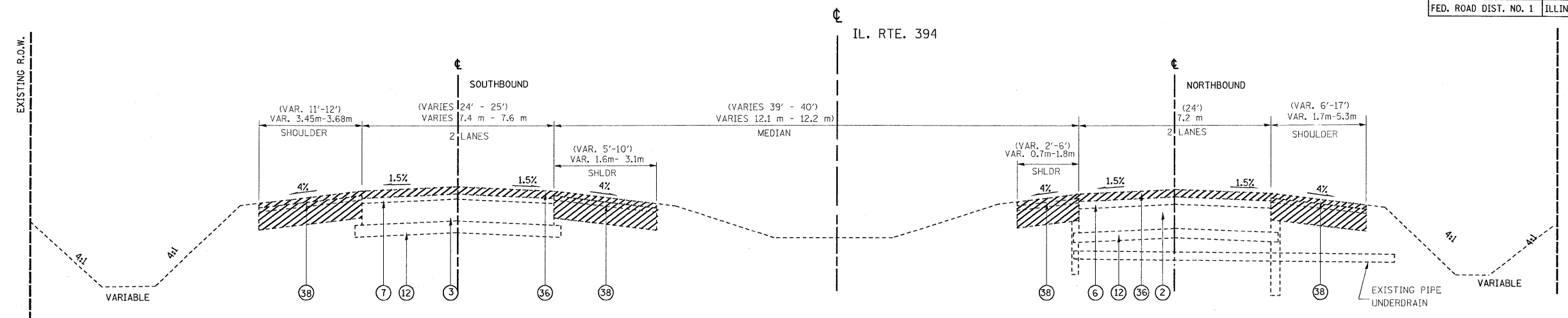
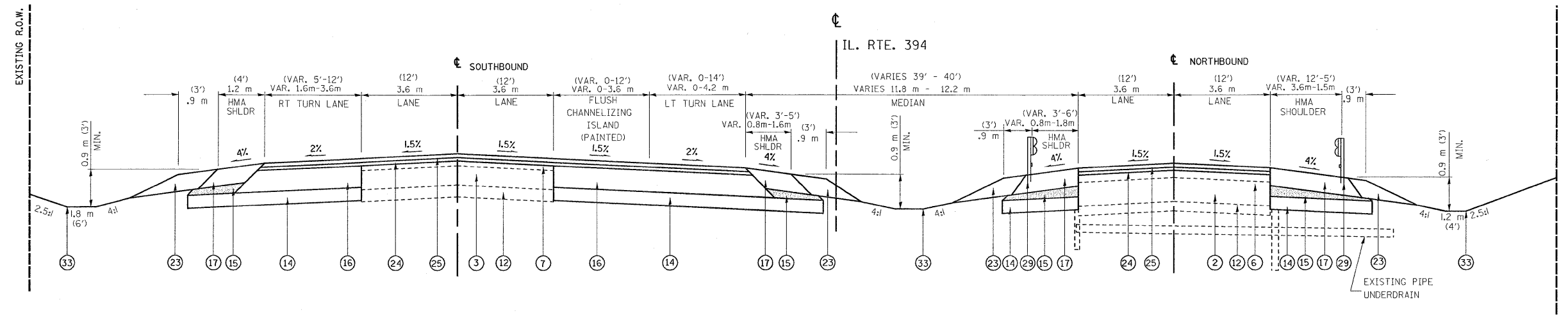


REF-
REF-
REF-

F.A.P. RTE.	SECTION	COUNTY	TOTAL SHEETS	SHEET NO.
332/876	2002-113R	WILL	242	14
STA. 60+500	TO STA. 60+592.713			
FED. ROAD DIST. NO. 1	ILLINOIS	FED. AID PROJECT		



EXISTING TYPICAL SECTION
IL. RTE. 394
STA 60+500 TO STA 60+592.713



PROPOSED TYPICAL SECTION
IL. RTE. 394
STA 60+500 TO STA 60+592.713

LEGEND:

- | | | | | |
|---|---|---|--|--|
| ① EXIST. PCC PAVEMENT 140 mm (5.5") | ⑬ PROP. PAVEMENT REMOVAL (STA. 61+375-61+475) | ⑳ PROP. LEVELING BINDER (MM), N70, 19 mm (0.75") | ⑳ PROP. SODDING, SALT TOLERANT WITH 100 mm TOPSOIL PLACEMENT | ④① PROP. HMA SURF. CRSE., MIX "D", N50, 38 mm (1.5") |
| ② EXIST. PCC PAVEMENT 265 mm (10.5") | ⑭ PROP. AGGREGATE SUBGRADE, 300 mm (12") | ㉑ PROP. POLYMERIZED HMA SURFACE CRSE, MIX "F", N90, 44 mm (1.75") | ⑳ PROP. HMA SURFACE REMOVAL 40 mm (1.5") | ④② PROP. NORSE ABUTEMENT WALL, GROUND MOUNTED |
| ③ EXIST. PCC PAVEMENT 260 mm (10.25") | ⑮ PROP. SUBBASE GRANULAR MATERIAL, TYPE C | ⑳ PROP. HMA SHOULDER, 150 mm (6") | ⑳ PROP. HMA SURFACE REMOVAL, 60 mm (2.25") | ④③ PROP. HMA BASE CRSE., N50, 115 mm |
| ④ EXIST. CAM/PCC PAVEMENT 165 mm (6.5") | ⑯ PROP. POLYMERIZED HMA BINDER CRSE. IL-19, N90, 395 mm (15.5"), (IN 4 LIFTS) | ㉑ PROP. PCC BASE COURSE, 245 mm (9.5") | ㉑ PROP. HMA SURFACE REMOVAL, 25 mm (1") | ④④ PROP. HMA SURF. CRSE., MIX "C", N50, 50 mm (2.0"), TYP. |
| ⑤ EXIST. HMA PAVEMENT 250 mm (9.75") | ⑰ PROP. HMA SHOULDER, 255 mm (10") (IN 3 LIFTS) | ㉒ PROP. HMA SURFACE REMOVAL 65 mm (2.5") | ⑳ PROP. PAVED SHOULDER REMOVAL | ④④ PROP. HMA BASE CRSE., 200 mm |
| ⑥ EXIST. HMA PAVEMENT, 210 mm (8.25") | ⑱ PROP. STABILIZED SUBBASE (HMA BINDER, IL-19.00 mm) | ㉓ PROP. STEEL PLATE BEAM GUARDRAIL | ④① PROP. AGGREGATE SHOULDER REMOVAL (PAID FOR AS REMOVAL AND DISPOSAL OF UNSUITABLE MATERIAL), TYP | ④④ PROP. HMA SURF. CRSE., MIX "C", N50, 50 mm (2.0") |
| ⑦ EXIST. HMA PAVEMENT, 90 mm (3.5") | ⑲ PROP. JOINTED PCC PAVEMENT, 240 mm (9.375") | ⑳ PROP. HMA SHOULDER, 200 mm (8") | ④② No. 19 TIE BARS GROUTED IN PLACE AT 600 mm (24") O.C. INCLUDED IN COST OF PCC PAVEMENT AND PCC SHOULDER | |
| ⑧ EXIST. HMA PAVEMENT, 180 mm (7.25") | ⑳ PROP. LEVELING BINDER (MM), N70, 25 mm (1") | ㉑ PROP. COMBINATION CURB & GUTTER TYPE M-10.30 | | |
| ⑨ EXIST. HMA PAVEMENT, 240 mm (9.375") | ㉑ PROP. HMA SURF. CRSE., MIX "D", N70, 38 mm (1.5") | ㉒ PROP. COMBINATION CURB & GUTTER TYPE B-15.30 | | |
| ⑩ EXIST. HMA PAVEMENT, 127 mm (5") | ㉒ PROP. SUBBASE GRANULAR MATERIAL, TYPE B, 100 mm (4") | ㉓ PROP. TOPSOIL FURNISH & PLACE, 100mm (FORESLOPE) SEEDING CLASS 2A | | |
| ⑪ EXIST. HMA PAVEMENT, 120 mm (4.625") | ㉓ PROP. AGGREGATE SHOULDER, TYPE B, 6" | ㉔ COMPOST FURNISH & PLACE, 100mm (BLACKSLOPE) SEEDING CLASS 4 | | |
| ⑫ EXIST. AGGREGATE BASE, 165 mm (6.5") | | ㉕ EROSION CONTRIL BLANKET | | |

NOTE: 1 * TOP OF THE 395 mm (15-1/2") HMA BINDER CRSE LIFT SHALL BE LEVEL WITH TOP OF MILLED SURFACE OF EXISTING AC OVERLAY
2 * TOP OF NEW BASE COURSE SHALL BE LEVEL WITH TOP OF MILLED SURFACE OF EXISTING AC OVERLAY.
3 * ILL. RTE. 1 STATION INCREASES FROM NORTH TO SOUTH

CONTRACTOR SHALL MILL FIRST BEFORE PATCHING

REVISIONS	
NAME	DATE

ILLINOIS DEPARTMENT OF TRANSPORTATION
ILL. RTE. 394
EXISTING AND PROPOSED
TYPICAL SECTIONS

SCALE: NONE
DATE: 8/27/2009
DRAWN BY C.F.
CHECKED BY R.K.