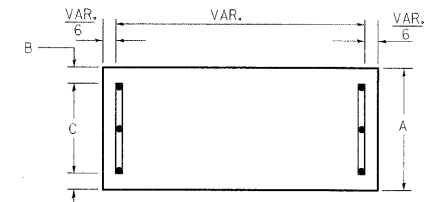
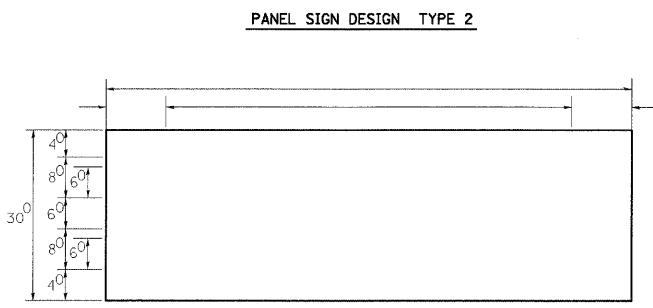


— Sq. M. each
 — Sq. Ft. each
 — Required
 Design Series D
 0.84 Sq. M. each
 — Sq. Ft. each
 2 Required
 Design Series D

SUPPORTING CHANNELS

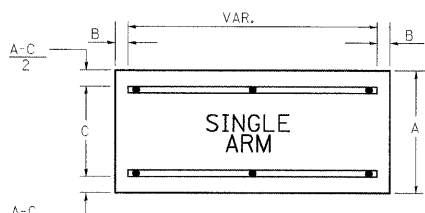


A	B	C
18"	2"	14"

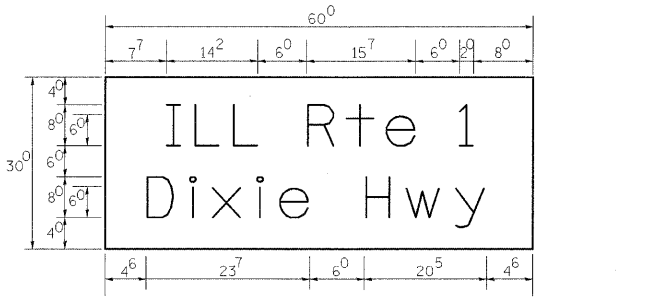


— Sq. M. each
 — Sq. Ft. each
 — Required
 Design Series D
 1.16 Sq. M. each
 — Sq. Ft. each
 2 Required
 Design Series D

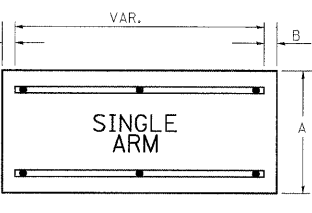
SUPPORTING CHANNELS



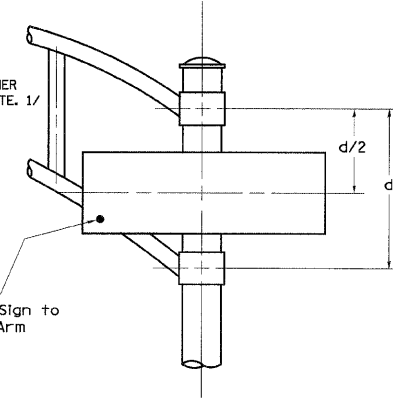
A	B	C
18"	2"	12"
30"	2"	22"



— Sq. M. each
 — Sq. Ft. each
 — Required
 Design Series C
 1.39 Sq. M. each
 — Sq. Ft. each
 2 Required
 Design Series C



A	B	C
18"	2"	12"
30"	2"	22"



SIGNFIX ALUMINUM CHANNEL FRAMING SYSTEM
 Shall be used. See Note #5.

Upper Case to Lower Case
 Spacing Chart 8-6 Inch Series "C & D"

SERIES	SECOND LETTER																					
	a	c	d	e	g	o	q	b	h	k	l	i	f	w	J	s	t	v	y	x	z	
A W X	12	14	14	15	12	14	06	10	11	14	06	10	11	14	06	10	11	14	12	14	12	14
B	14	15	20	21	14	15	11	12	14	15	12	14	12	14	12	14	14	15	14	15	14	15
C E G	14	15	20	21	12	14	06	10	12	14	12	14	14	15	14	15	14	15	14	15	14	15
D O Q R	14	15	20	21	14	15	06	10	12	14	12	14	14	15	14	15	14	15	14	15	14	15
F	05	06	14	15	06	10	05	06	06	10	06	10	06	10	11	12	11	12	11	12	11	12
H I M N	20	21	22	24	20	21	14	15	16	17	16	17	20	21	20	21	14	15	16	17	16	17
J U	20	21	20	21	16	17	14	15	16	17	16	17	16	17	16	17	16	17	16	17	20	21
K L	11	12	16	17	11	12	05	06	11	12	11	12	11	12	11	12	11	12	11	12	11	12
P	12	14	14	15	12	14	05	06	11	12	11	12	11	12	11	12	11	12	11	12	11	12
S	12	14	16	17	12	14	06	10	12	14	12	14	12	14	12	14	12	14	12	14	12	14
T	11	12	16	17	06	10	06	10	11	12	11	12	11	12	11	12	11	12	11	12	11	12
V	06	10	14	15	11	12	06	10	12	14	12	14	12	14	12	14	12	14	12	14	12	14
Y	05	06	14	15	06	10	05	06	05	07	05	06	06	10	11	12	11	12	11	12	11	12
Z	16	17	22	24	16	17	12	14	16	17	16	17	16	17	16	17	16	17	16	17	20	21

Lower Case to Lower Case
 Spacing Chart 6 Inch Series "C & D"

SERIES	SECOND LETTER																					
	a	c	d	e	g	o	q	b	h	k	l	i	f	w	J	s	t	v	y	x	z	
ad h g i j	16	17	22	24	16	17	12	14	14	15	14	15	16	17	16	17	16	17	16	17	16	17
l m n q u	16	17	22	24	16	17	12	14	14	15	14	15	16	17	16	17	16	17	16	17	16	17
b f k o p s	12	14	16	17	11	12	05	06	11	12	11	12	12	14	12	14	12	14	12	14	12	14
c e	12	14	16	17	12	14	06	10	12	14	12	14	12	14	12	14	12	14	12	14	12	14
r	06	10	12	14	06	10	03	03	05	06	05	06	06	10	06	10	06	10	06	10	06	10
t z	12	14	16	17	12	14	06	10	11	12	11	12	11	12	11	12	11	12	11	12	11	12
v y	11	12	14	15	11	12	05	06	06	10	06	10	11	12	11	12	11	12	11	12	11	12
w	11	12	14	15	11	12	05	06	11	12	11	12	11	12	11	12	11	12	11	12	11	12
x	12	14	16	17	11	12	05	06	11	12	11	12	11	12	11	12	11	12	11	12	11	12

Number to Number
 Spacing Chart 8 Inch Series "C & D"

SERIES	SECOND NUMBER																					
	0	1	2	3	4	5	6	7	8	9												
0 9	16	17	16	17	14	15	12	14	14	15	14	15	16	17	12	14	16	17	16	17	16	17
1	20	21	20	21	20	21	16	17	14	15	20	21	20	21	14	15	20	21	20	21	20	21
2 3 4	14	15	14	15	14	15	12	14	14	15	14	15	14	15	11	12	14	15	14	15	14	15
5	14	15	14	15	14	15	11	12	11	12	14	15	14	15	11	12	14	15	14	15	14	15
6	16	17	14	15	14	15	12	15	12	14	14	15	14	15	11	12	14	15	14	15	14	15
7	12	14	12	14	14	15	12	15	05	06	12	14	14	15	11	12	14	15	12	14	12	14
8	16	17	16	17	14	15	12	15	12	14	14	15	16	17	12	14	16	17	16	17	16	17

UPPER AND LOWER CASE
 LETTER WIDTHS

LETTERS	6 INCH UPPER CASE LETTERS		8 INCH UPPER CASE LETTERS		LETTERS	6 INCH LOWER CASE LETTERS	
	C	D	C	D		C	D
A	36	50	50	65	a	35	42
B	32	40	43	53	b	35	42
C	32	40	43	53	c	35	41
D	32	40	43	53	d	35	42
E	30	35	40	47	e	35	42
F	30	35	40	47	f	23	26
G	32	40	43	53	g	35	42
H	32	40	43	53	h	35	42
I	07	07	11	12	i	11	11
J	30	36	40	50	j	20	22
K	32	41	43	54	k	35	42
L	30	35	40	47	l	11	11
M	37	45	51	61	m	60	70
N	32	40	43	53	n	35	42
O	34	42	45	55	o	36	43
P	32	40	43	53	p	35	42
Q	34	42	45	55	q	35	42
R	32	40	43	53	r	26	32
S	32	40	43	53	s	36	42
T	30	35	40	47	t	27	32
U	32	40	43	53	u	35	42
V	35	44	47	60	v	42	47
W	44	52	60	70	w	55	64
X	34	40	45	53	x	44	51
Y	36	50	50	66	y	46	53
Z	32	40	43	53	z	36	43

NUMBER	6 INCH SERIES		8 INCH SERIES	
	C	D	C	D
1	12	14	15	20
2	32	40	43	53
3	32	40	43	53
4	35	43	47	57
5	32	40	43	53
6	32	40	43	53
7	32	40	43	53
8	32	40	43	53
9	32	40	43	53
0	34	42	45	55

- GENERAL NOTES
- WHERE MAST ARM MOUNTED STREET NAME SIGNS ARE SPECIFIED, THE MAST ARM ASSEMBLY AND POLES SHALL BE DESIGNED TO SUPPORT THE LOADINGS CALLED FOR ON STANDARDS 834001, 834006 AND 834011, AS APPLICABLE, PLUS TWO (2) SIGN PANELS 2'-6" x 6'-0" MOUNTED AS SHOWN. THE DESIGN SHALL BE IN ACCORDANCE WITH THE REQUIREMENTS OF THE CURRENT "STANDARD SPECIFICATIONS FOR STRUCTURAL SUPPORTS FOR HIGHWAY SIGNS, LUMINAIRES, AND TRAFFIC SIGNALS" AS PUBLISHED BY THE AMERICAN ASSOCIATION OF STATE HIGHWAY AND TRANSPORTATION OFFICIALS FOR 80 M.P.H. WIND VELOCITY.
 - ALL SIGNS SHALL HAVE A WHITE REFLECTORIZED LEGEND AND BORDER ON A GREEN REFLECTORIZED BACKGROUND, TYPE A SHEETING.
 - THE SIGN LENGTH SHOULD BE INCREASED IN 6-INCH INCREMENTS, BUT THE OVERALL LENGTH SHOULD NOT EXCEED 6'-0".
 - ALL BORDERS SHALL BE 3/4" WIDE AND CORNER RADIUS SHALL BE 2-1/4".
 - SIGNFIX ALUMINUM CHANNEL FRAMING SYSTEM SHALL BE USED FOR ALL SIGNS ATTACHED TO SIGNAL POLES AND POSTS. LOCAL SUPPLIERS OF THE SIGNFIX ALUMINUM CHANNEL FRAMING SYSTEM ARE:
 - * A.K.T. CORPORATION
 - * AMERICAN FABRICATION CO.
 - * SCHAUMBURG, IL
 - * CHICAGO HEIGHTS, IL
 - * TUCKER COMPANY, INC.
 - * WESTERN TRAFFIC CONTROL INC.
 - * WAUWATOSA, WI
 - * CICERO, IL

PARTS LISTING
 SIGN CHANNEL PART #HPN053 (MED. CHANNEL)
 SIGN SCREWS 1/4" x 14 x 1" H.W.H. #3
 BRACKETS PART #HPN034 (UNIVERSAL)
 CHANNEL CLAMPS WITH STAINLESS STEEL STRAPPING
 OTHER BRANDS OF MOUNTING HARDWARE ARE ACCEPTABLE, BASED UPON THE DEPARTMENT'S APPROVAL AND COMPATIBILITY WITH THE CHANNEL/BACKET OF THE ABOVE PRODUCT.

REVISIONS		Illinois Department of Transportation DISTRICT 1
NAME	DATE	
SCALE: VERT. NONE HORIZ. NONE DATE: 08-24-09		DRAWN BY: RDS DESIGNED BY: BAC CHECKED BY: JGG