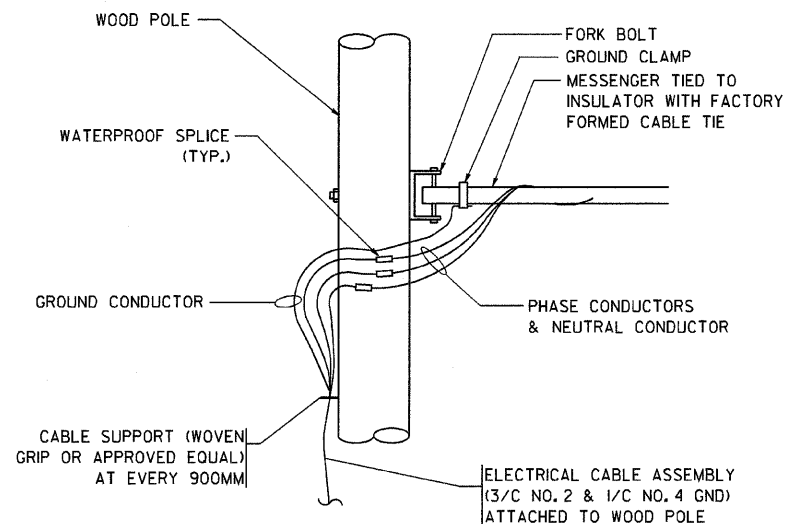
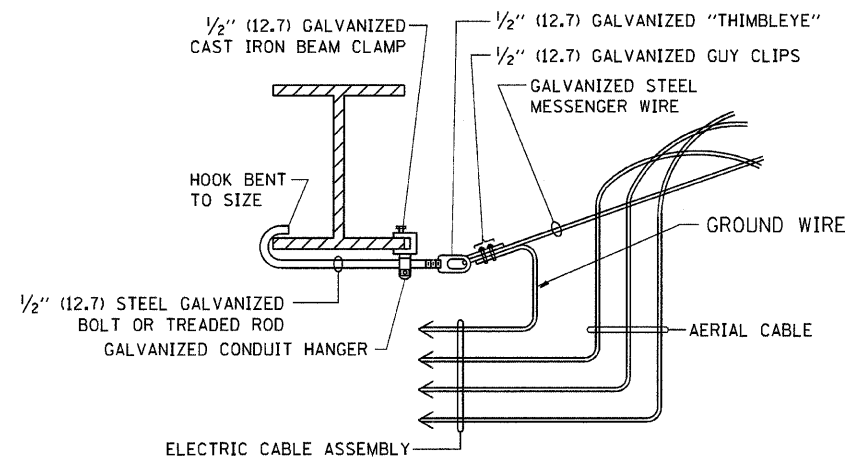


| | | | | |
|---------------------|-----------|---------------------------|--------------|-----------|
| CONTRACT NO. | | | | |
| F.A. RTE. | SECTION | COUNTY | TOTAL SHEETS | SHEET NO. |
| 332/876 | 2002-113R | WILL | 242 | 135 |
| STA. | | TO STA. | | |
| FED. ROAD DIST. NO. | | ILLINOIS FED. AID PROJECT | | |



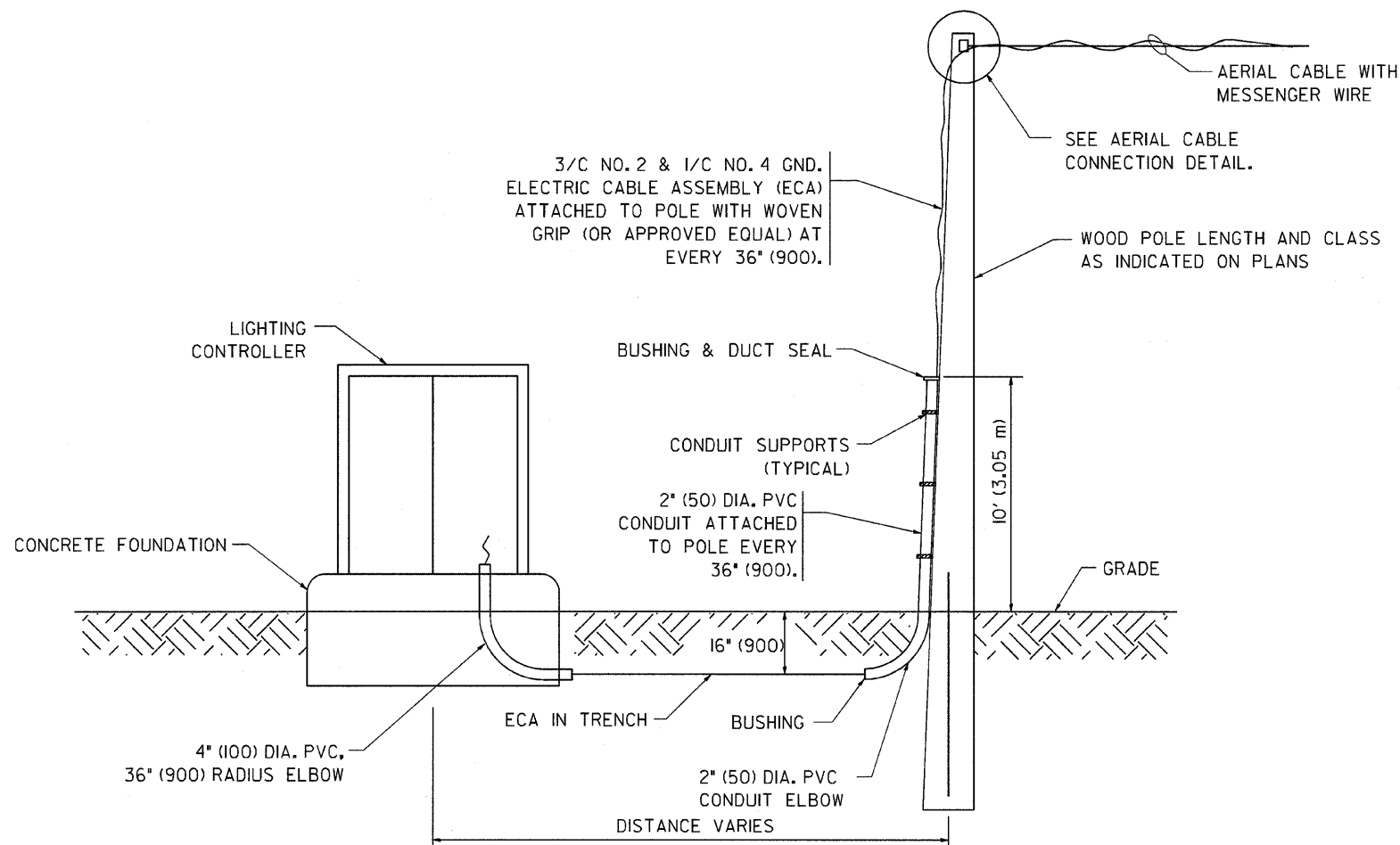
AERIAL CABLE CONNECTION DETAIL
N.T.S.



AERIAL CABLE ATTACHED TO STRUCTURE
NOT TO SCALE

NOTES:

1. ALL DIMENSIONS IN INCHES (MILLIMETERS) UNLESS OTHERWISE INDICATED.
2. SEE PROPOSED LIGHTING PLAN FOR CONDUIT, CABLE AND ROUTING.
3. THE CONTRACTOR SHALL PROVIDE INTERMEDIATE SUPPORTS TO MAINTAIN MINIMUM CLEARANCES. REFER TO AERIAL AERIAL CABLE ATTACHED TO STRUCTURE DETAIL.
4. COST OF SPLICES AND MOUNTING HARDWARE SHALL BE INCLUDED IN THE UNIT PRICE FOR AERIAL CABLE.



WOOD POLE TO LIGHTING CONTROLLER WIRING CONNECTION DETAIL
N.T.S.

| REVISIONS | |
|-----------|----------|
| NAME | DATE |
| | 08/08/03 |
| | |
| | |
| | |
| | |
| | |
| | |
| | |
| | |

ILLINOIS DEPARTMENT OF TRANSPORTATION

TEMPORARY AERIAL CABLE INSTALLATION

SCALE: VERT. NONE
HORIZ.

DRAWN BY
CHECKED BY
BE-801

PLOT DATE = 4/18/2007
FILE NAME = K:\data\st\be801.dgn
USER NAME = B08001 / IN
USER MAKE = B08001