

NOTES:

- For Noise Abatement Wall locations, see Sheets 1 and 2 of 10.
- Select clearing of undesirable trees and brush shall be utilized on either side of the noise wall according to IDOT Standard Specification Section 201. Cost is included with payment for Noise Abatement Wall, Ground Mounted.
- Compost and topsoil shall be thoroughly rototilled to a depth of 250 mm prior to planting.
- Mulch cover shall be placed over compost according to IDOT Standard Specification Section 253.11, except that no weed barrier fabric is required. Cost of mulch cover and associated items is included with payment for Noise Abatement Wall, Ground Mounted.
- Pre-emergent Granular Herbicide shall be placed in mulched beds according to the Special Provision for Weed Control, Pre-Emergent Granular Herbicide. Cost included with payment for Noise Abatement Wall, Ground Mounted.
- Existing ground lines and utilities are subject to normal construction variations. It shall be the Contractor's responsibility to verify ground elevations in the field and make necessary approved adjustments prior to construction or ordering of materials. Such variations shall not be cause for additional compensation for a change in the scope of work; however, the Contractor will be paid for the quantity actually furnished at the unit price bid for the work.
- The panel texturing shall be used for all panels. The panels shall be colored with a light brown stain and the posts painted a matching color. Samples of panel texturing and coloring shall be submitted to the Department for approval in accordance with the Noise Abatement Wall, Ground Mounted Special Provision.
- Riprap shall be placed according to IDOT Standard Specification Section 281. The cost of Riprap and associated items is included with payment for Noise Abatement Wall, Ground Mounted.
- Filter Fabric for use with Riprap shall be placed according to IDOT Standard Specification Section 282. The cost of Filter Fabric for use with Riprap is included with payment for Noise Abatement Wall, Ground Mounted.
- Drilled Shafts shall be constructed according to Section 516 of the Standard Specifications, except that the cost of Drilled Shafts and associated items is included with payment for Noise Abatement Wall, Ground Mounted.
- All dimensions are in millimeters (mm) except as noted.

SOIL PROPERTIES:

Cohesive - $C = 150 \text{ kPa}$ (Shall be reduced to 45 kPa above elevation ± 223 from Station 61+340 to 61+385)

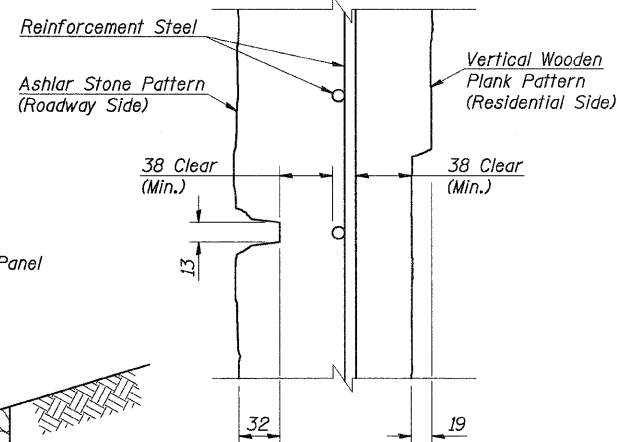
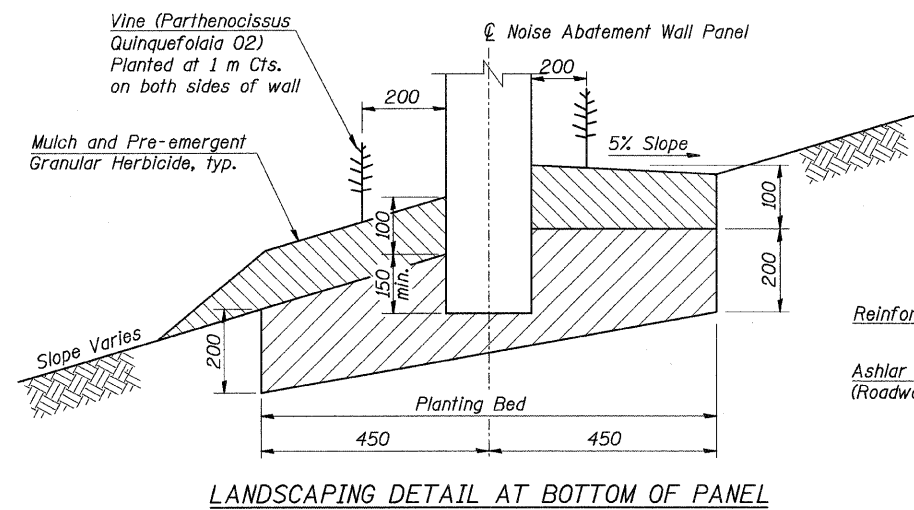
Factor of Safety - 2.0 (Shear Strength)

Notes: The design methods will require modifications when sloped ground or saturated conditions are encountered.

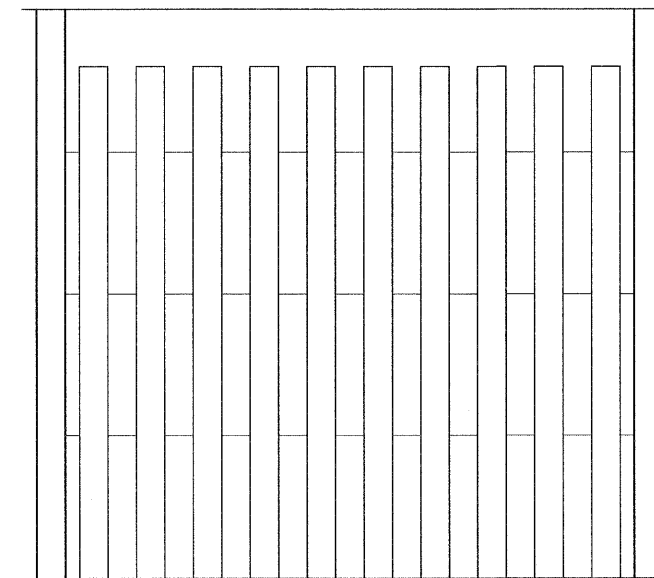
The depth of soil at the ground surface equal to $1\frac{1}{2}$ times the foundation diameter shall be neglected in the foundation analysis.

BILL OF MATERIAL

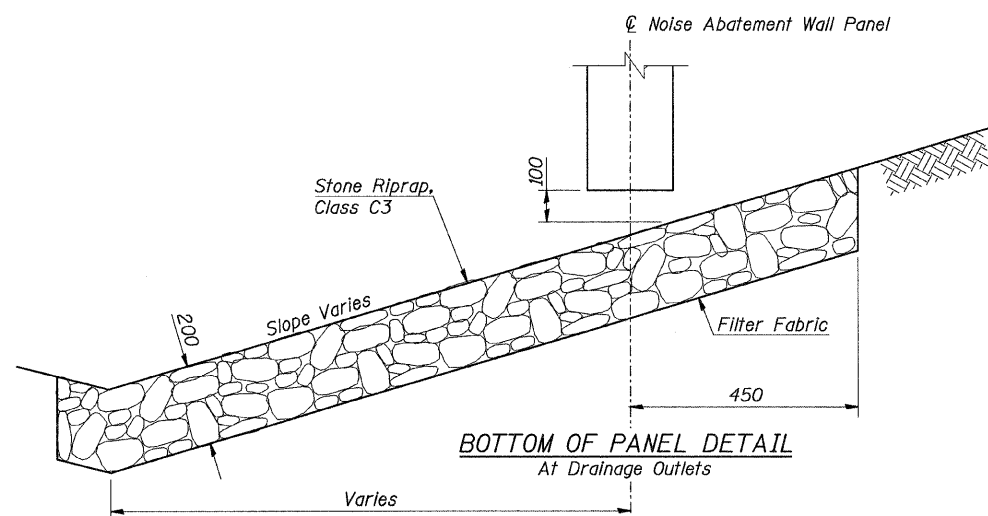
Item	Unit	Total
Noise Abatement Wall, Ground Mounted	Sq. M.	2210



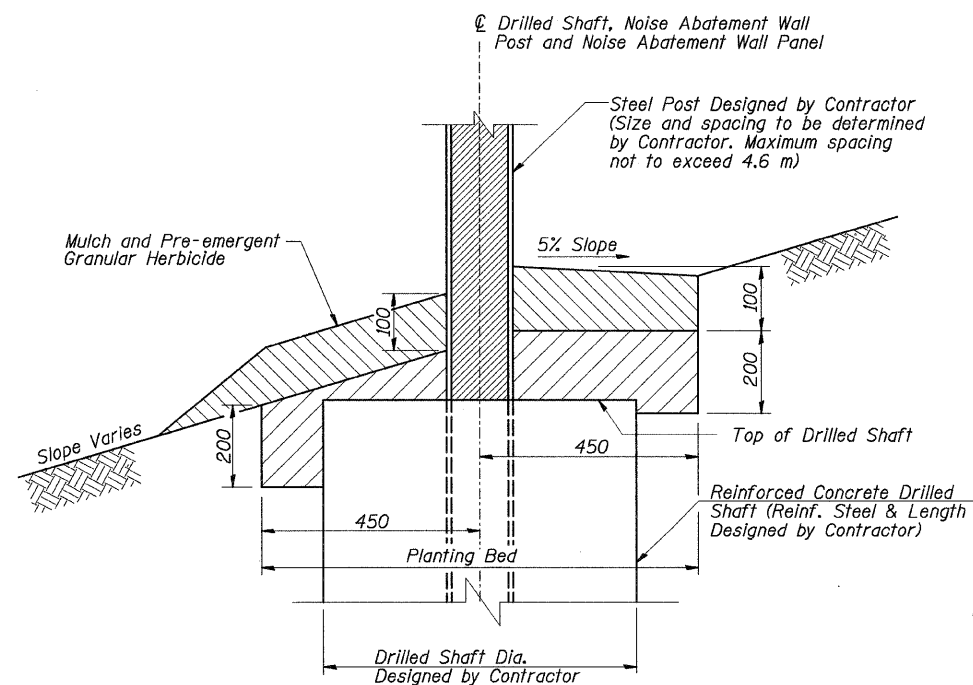
CROSS SECTION PRECAST PANEL



PRESSED IN VERTICAL PLANK PATTERN (Residential Side)



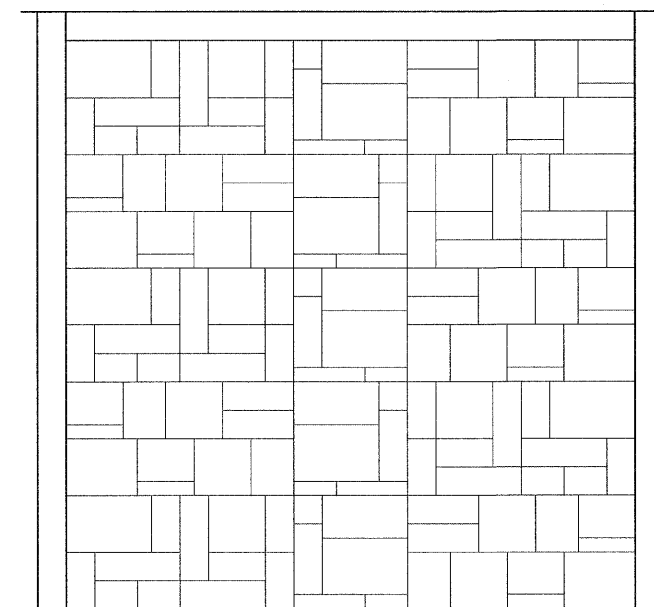
BOTTOM OF PANEL DETAIL At Drainage Outlets



LANDSCAPING DETAIL AT FOUNDATION

LEGEND

- Topsail, 200 mm Furnish & Place
- Compost, 100 mm Furnish & Place



FORMED ASHLAR STONE PATTERN (Roadway Side)

rjngroup
Excellence through Ownership
200 West Front Street
Wheaton, IL 60187

REVISIONS	
NAME	DATE

ILLINOIS DEPARTMENT OF TRANSPORTATION

IL RTE. 394 AT IL RTE. 1
NOISE ABATEMENT WALL
DETAILS

DATE 8/20/2009
DRAWN BY JMT
CHECKED BY BLB