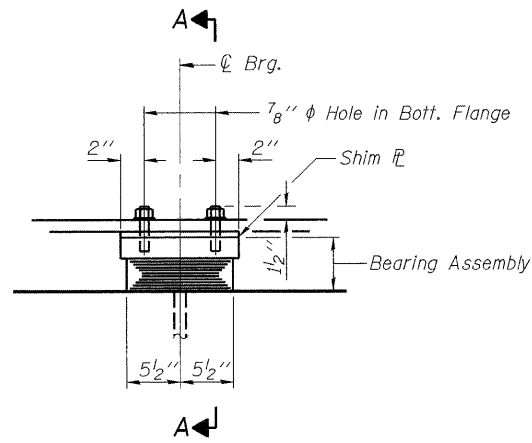
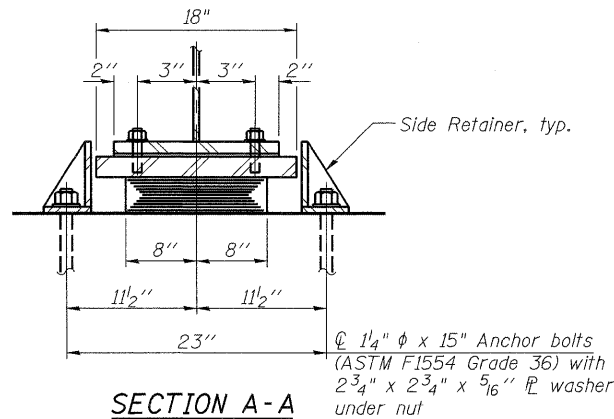


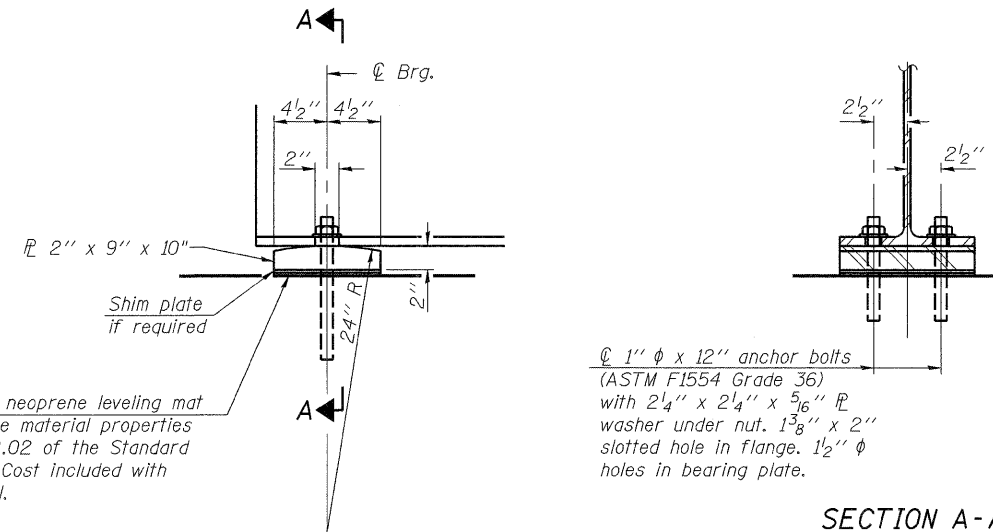
STATE OF ILLINOIS
DEPARTMENT OF TRANSPORTATION



ELEVATION AT PIERS

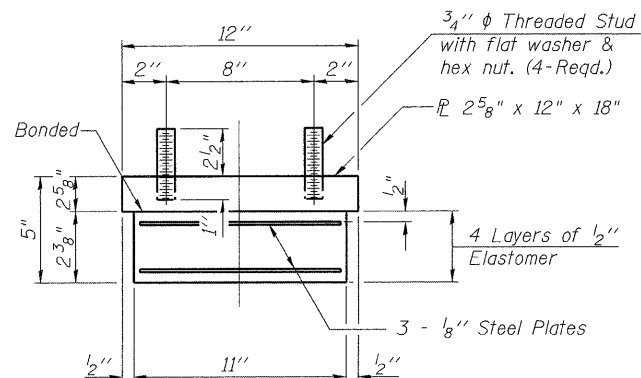


SECTION A-A



SECTION A-A

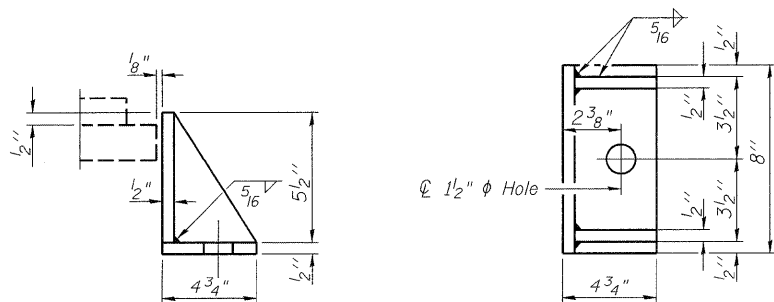
TYPE I ELASTOMERIC EXP. BRG.
(12 Required)



BEARING ASSEMBLY

Note:
Shim plates shall not be placed under Bearing Assembly.

Notes:
Anchor bolts shall be ASTM F1554 all-thread (or an Engineer-approved alternate material) of the grade(s) and diameter(s) specified. ASTM A307 Grade C anchor bolts may be used in lieu of ASTM F1554 Grade 36 (Fy=36ksi). The corresponding specified grade of AASHTO M314 anchor bolts may be used in lieu of ASTM F1554.
Anchor bolts at fixed bearings may be either cast in place or installed in holes drilled after the supported member is in place.
Anchor bolts for side retainers may be cast in place or installed in holes drilled before or after members are in place.
Drilled and set anchor bolts shall be installed according to Article 521.06 of the Standard Specifications.
Side retainers and other steel members required for the bearing assembly shall be included in the cost of Elastomeric Bearing Assembly, Type I.
Two 1/8 in. adjusting shims shall be provided for each bearing in addition to all other plates or shims and placed as shown on bearing details.



SIDE RETAINER

Equivalent rolled angle with stiffeners will be allowed in lieu of welded plates.

DESIGNED	SK/GMK/LCM
CHECKED	GBC/GMK/SMK
DRAWN	RR/LCM/SK
CHECKED	GBC/GMK/SMK

FIXED BEARING AT ABUTMENTS
(12 Required)

BILL OF MATERIAL

Item	Unit	Total
Elastomeric Bearing Assembly Type I	Each	12
Anchor Bolts, 1"	Each	24
Anchor Bolts, 1 1/4"	Each	24

BEARING DETAILS
NORTHBOUND ILLINOIS ROUTE 394 OVER PLUM CREEK
STATION 20+07.55

SHEET NO. 15	F.A.P. RTE.	SECTION	COUNTY	TOTAL SHEETS	SHEET NO.
	332	2002-113R	WILL	242	160
26 SHEETS	SN-099-0147		CONTRACT NO. 62542		
	FED. ROAD DIST. NO. 1 ILLINOIS FED. AID PROJECT				