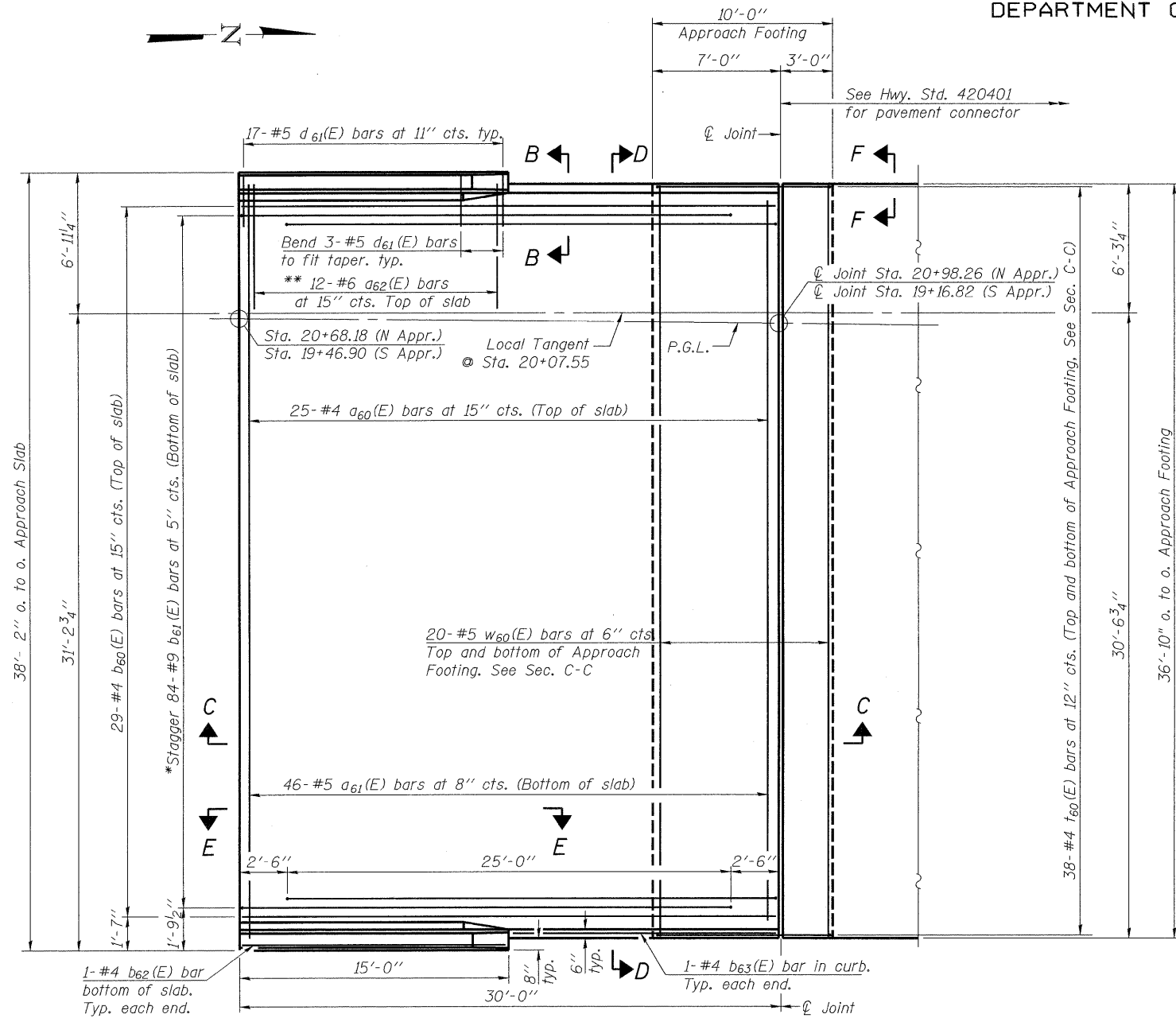


STATE OF ILLINOIS
DEPARTMENT OF TRANSPORTATION

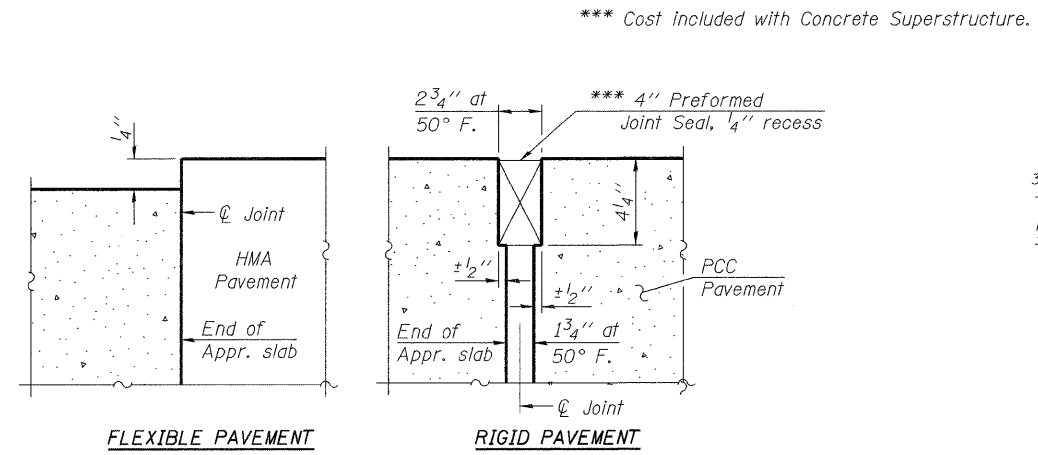
Notes:
See sheet 24 of 26 for Sections C-C & D-D and View E-E.
a(E), a₁(E), and w(E) bar spacings measured perpendicular to the Local Tangent Line.



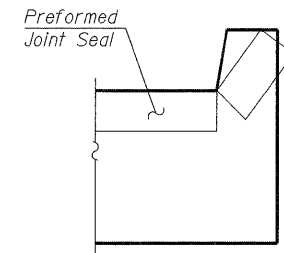
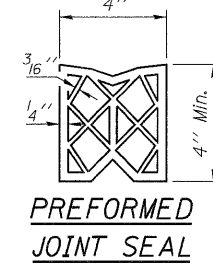
PLAN

(North Approach Slab Shown, South Approach Slab Similar)

- * Tilt #9 b₆₁(E) bars as required to maintain clearance.
- ** Alternate with a₆₂(E) bars, typ. ea. parapet.

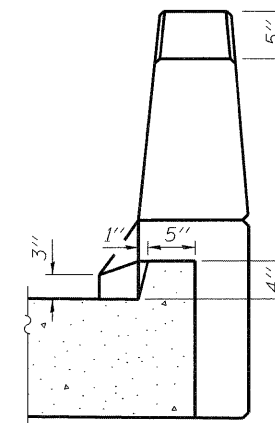


DETAIL A



VIEW F-F

Angle Preformed Joint Seal at 45° at curbs when req'd for drainage.



VIEW B-B

DESIGNED	SK/GMK/LCM
CHECKED	GBC/GMK/SMK
DRAWN	RR/LCM/SK
CHECKED	GBC/GMK/SMK

BA-0

10-31-08

BRIDGE APPROACH SLAB DETAILS-1
NORTHBOUND ILLINOIS ROUTE 394 OVER PLUM CREEK
STATION 20+07.55

SHEET NO. 23 26 SHEETS	F.A.P. RTE.	SECTION	COUNTY	TOTAL SHEETS	SHEET NO.
	332	2002-113R	WILL	242	168
SN-099-0147			CONTRACT NO. 62542		
FED. ROAD DIST. NO. 1 ILLINOIS FED. AID PROJECT					

DEI Delta Engineering, Inc.
CONSULTING ENGINEERS, CONSTRUCTION MANAGERS, SURVEYORS
111 N. Jackson Blvd., Suite 900 Chicago, IL 60604-2001