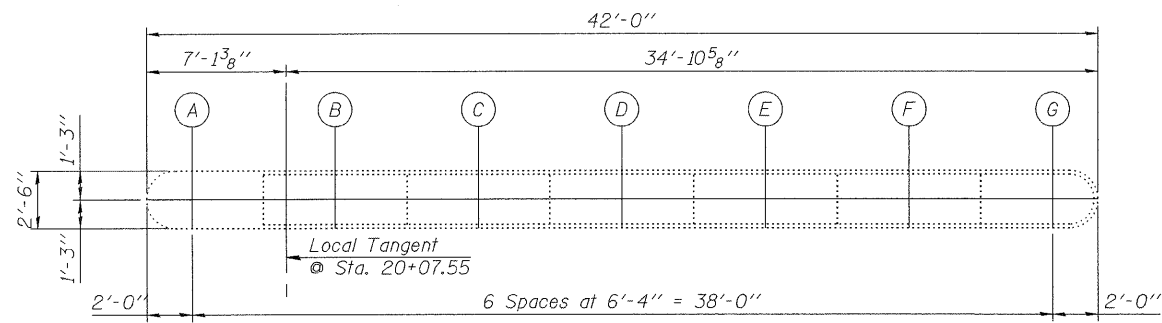
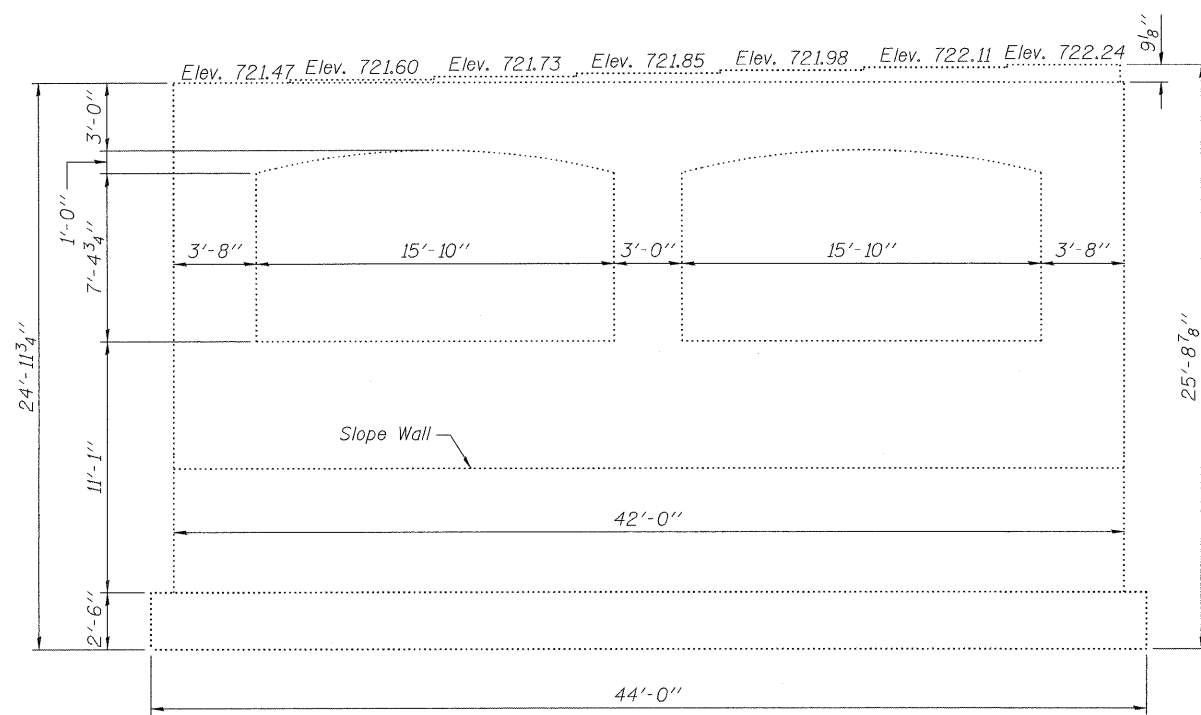


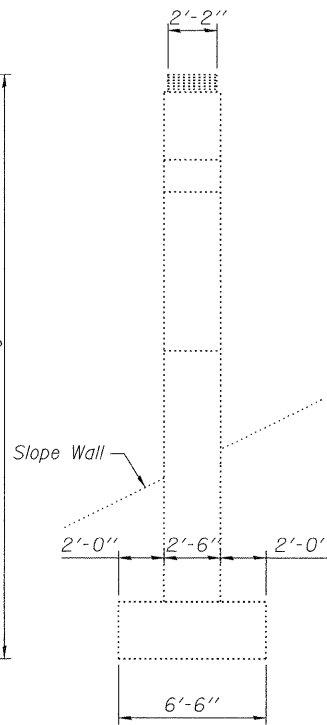
STATE OF ILLINOIS
DEPARTMENT OF TRANSPORTATION



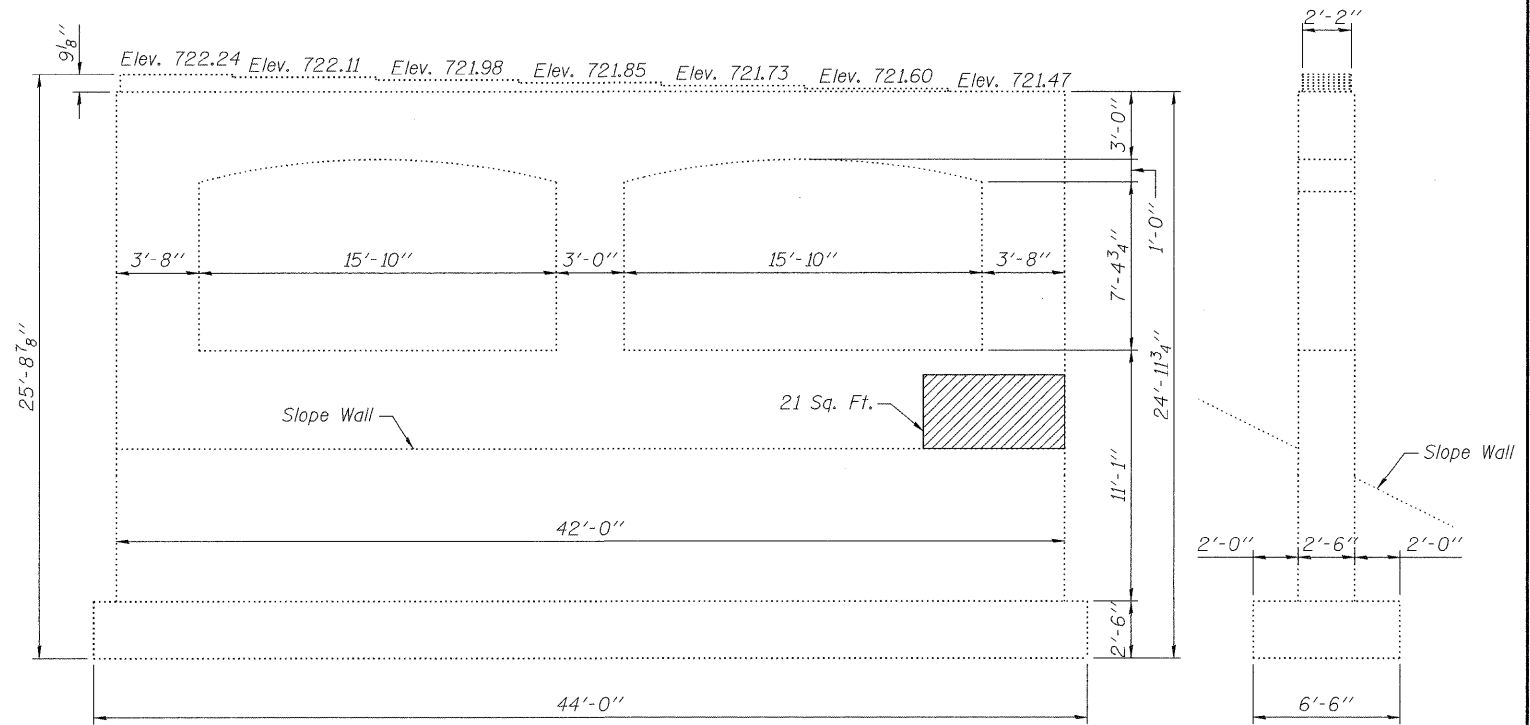
PLAN



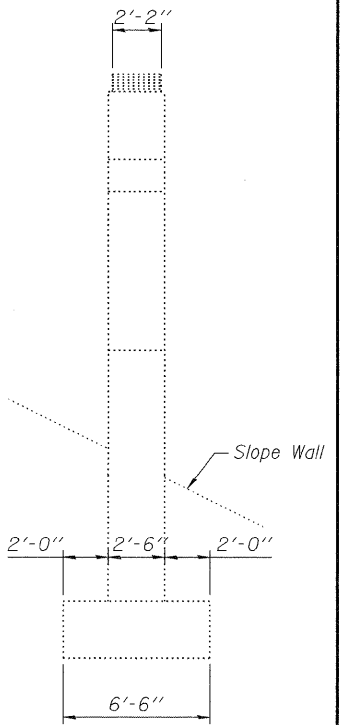
PIER #2
(North Elevation)



END VIEW
(West Elevation)



PIER #2
(South Elevation)



END VIEW
(East Elevation)

LEGEND:

Structural Repair of Concrete
(Depth Greater than 5")

NOTES:

1. All dimensions are to be verified in field.

BILL OF MATERIAL

DESIGNED	SK/GMK/LCM
CHECKED	GBC/GMK/SMK
DRAWN	RR/LCM/SK
CHECKED	GBC/GMK/SMK

ITEM	UNIT	TOTAL
Structural Repair of Concrete (Depth Greater than 5")	Sq. Ft.	21

PIER 2 REPAIRS
SOUTHBOUND ILLINOIS ROUTE 394 OVER PLUM CREEK
STATION 20+07.55

SHEET NO. 18	F.A.P. RTE.	SECTION	COUNTY	TOTAL SHEETS	SHEET NO.
	332	2002-113R	WILL	242	189
23 SHEETS	SN-099-0183		CONTRACT NO. 62542		
	FED. ROAD DIST. NO. 1 ILLINOIS FED. AID PROJECT				

Delta Engineering, Inc.
CONSULTING ENGINEERS, CONSTRUCTION MANAGERS, SURVEYORS
111 N. Jackson Blvd., Suite 110 Chicago, IL 60604-2001