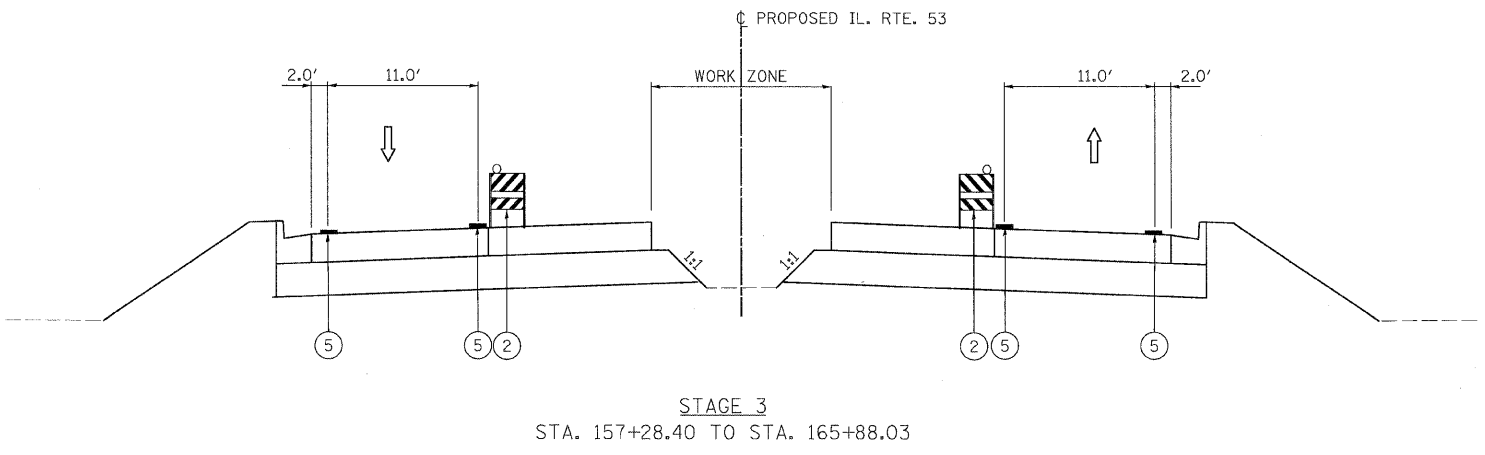


F.A.U. RTE.	SECTION	COUNTY	TOTAL SHEETS	SHEET NO.
2578	532B-1	DU PAGE	117	24
STA.		TO STA.		
FED. ROAD DIST. NO.	ILLINOIS	FED. AID PROJECT		

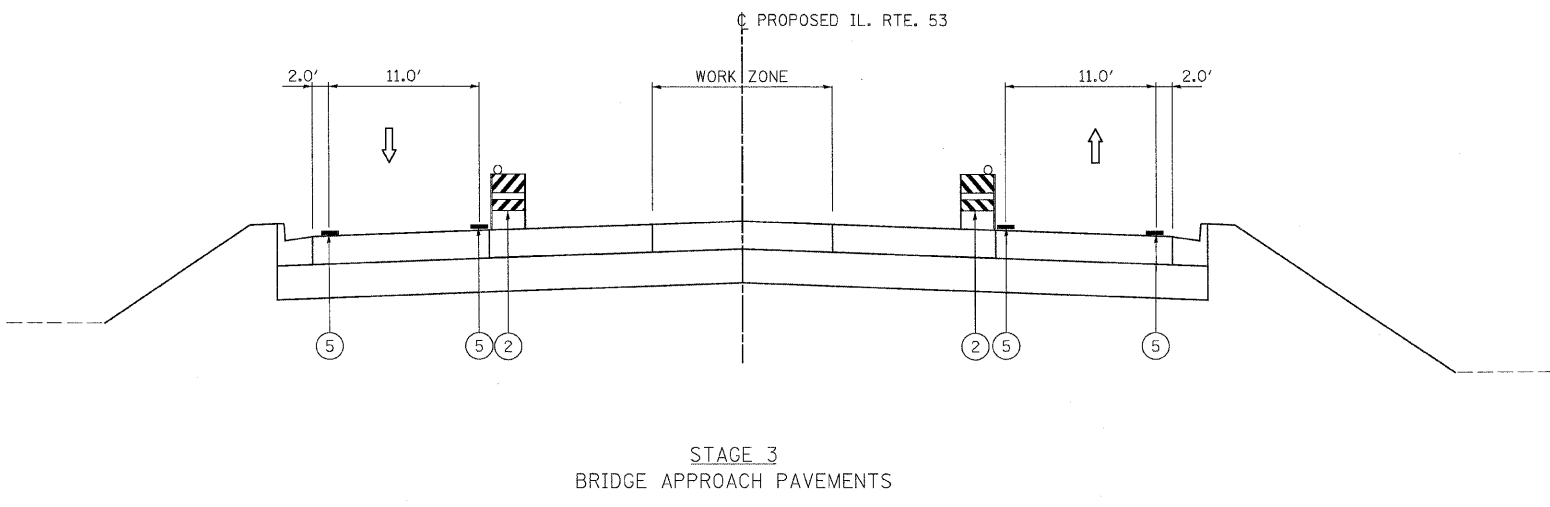
CONTRACT #62881

LEGEND

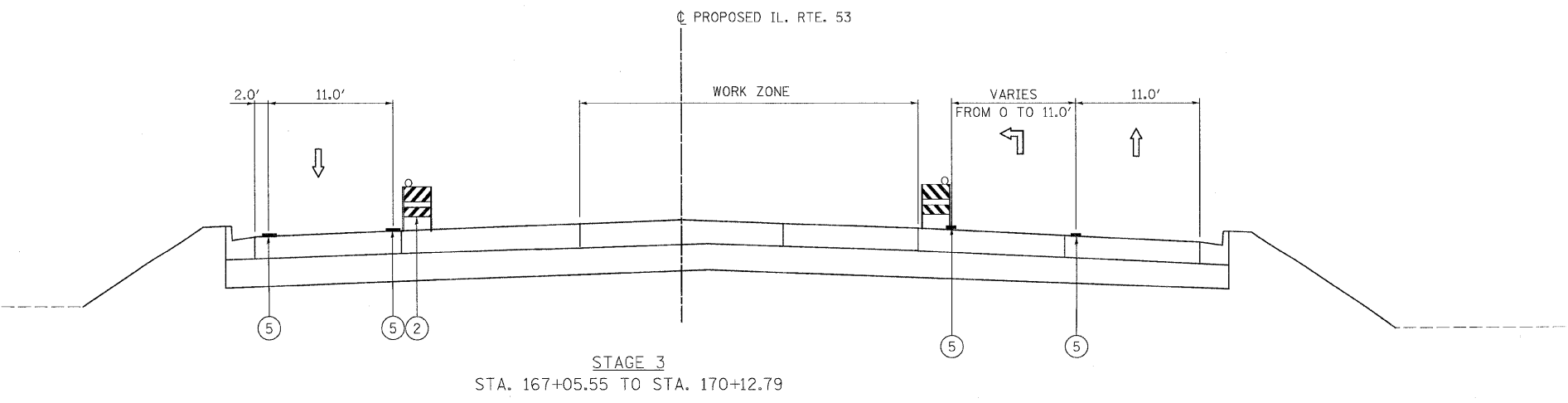
- ① TEMPORARY PAVEMENT (SEE SPECIAL PROVISION)
- ② TYPE II BARRICADES OR DRUMS WITH STEADY BURNING LIGHTS (50 FT C-C; 25 FT @ TAPERS & 12 FT ALONG RADIUS)
- ③ VERTICAL PANELS @ 50 FT C-C WITH STEADY BURNING LIGHTS
- ④ TEMPORARY PAVEMENT MARKING
- ⑤ WET PAVEMENT MARKING TAPE, TY III
- ⑥ TEMPORARY CONCRETE BARRIER WITH VERTICAL PANELS (SEE DETAIL A)
- ⑦ TEMPORARY SOIL RETENTION SYSTEM (SEE SPECIAL PROVISION)



STAGE 3
STA. 157+28.40 TO STA. 165+88.03



STAGE 3
BRIDGE APPROACH PAVEMENTS
BRIDGE OMISSION
STA. 166+18.03 TO STA. 166+75.55
(SEE BRIDGE PLANS FOR STAGING DETAILS)



STAGE 3
STA. 167+05.55 TO STA. 170+12.79

REVISIONS	
NAME	DATE

ILLINOIS DEPARTMENT OF TRANSPORTATION
ILLINOIS ROUTE 53 (FAU 2578)
SUGGESTED STAGES OF CONSTRUCTION
AND TRAFFIC CONTROL TYPICAL SECTIONS
STAGE 3
SCALE: NONE
DATE: 6/12/09
DRAWN BY: CPK
CHECKED BY: JJC

PATRICK ENGINEERING INC. Lisle, Illinois
 6/10/2009 5:06:25 PM PDF(Grey_Large).pdf
 Q:\DOT\9356_A0_(IL53)\Springbrook\Drawings\RDWY\shfts\Typ\3_Mof.typ.dgn