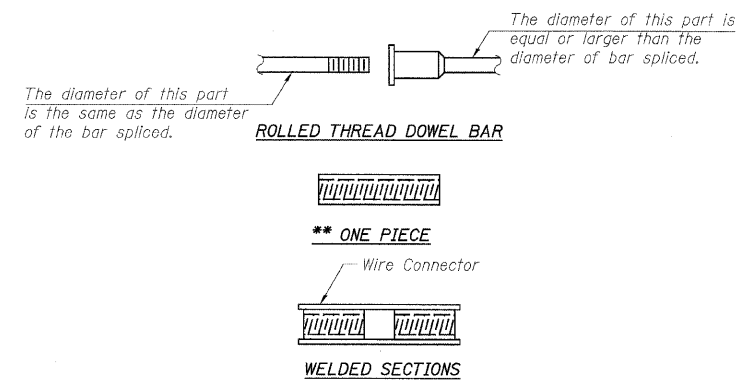


NOTES

Bar splicer assemblies shall be of an approved type and shall develop in tension at least 125 percent of the yield strength of the lapped reinforcement bars.
 Splicer rods shall be of minimum 60 ksi yield strength, threaded or coiled full length.
 All reinforcement bars shall be lapped and tied to the splicer rods or dowel bars.
 Bar splicer assemblies shall be epoxy coated according to the requirements for reinforcement bars.
 Other systems of similar design may be submitted to the Engineer for approval. Approval shall be based on certified test results from an approved testing laboratory that the proposed bar splicer assembly satisfies the following requirements:

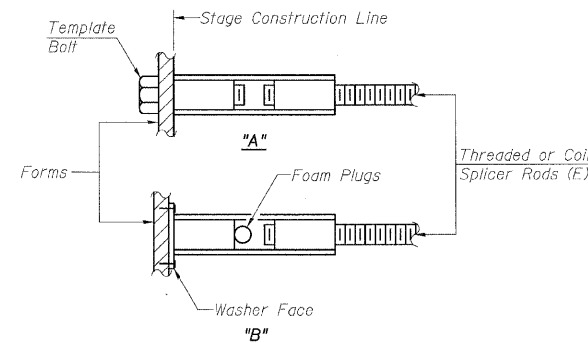
- ① Minimum Capacity (Tension in kips) = $1.25 \times f_y \times A_t$
 - ② Minimum *Pull-out Strength (Tension in kips) = $0.66 \times f_y \times A_t$
- Where f_y = Yield strength of lapped reinforcement bars in ksi.
 A_t = Tensile stress area of lapped reinforcement bars.
 * = 28 day concrete

Bar Size to be Spliced	Splicer Rod or Dowel Bar Length	Strength Requirements	
		Min. Capacity kips - tension	Min. Pull-Out Strength kips - tension
#4	1'-8"	14.7	7.9
#5	2'-2"	23.0	12.3
#6	2'-7"	33.1	17.4
#7	3'-5"	45.1	23.8
#8	4'-6"	58.9	31.3
#9	5'-9"	75.0	39.6
#10	7'-3"	95.0	50.3
#11	9'-0"	117.4	61.8



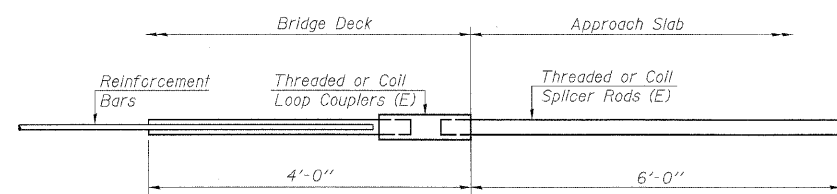
BAR SPLICER ASSEMBLY ALTERNATIVES

**Heavy Hex Nuts conforming to ASTM A 563, Grade C, D or DH may be used.



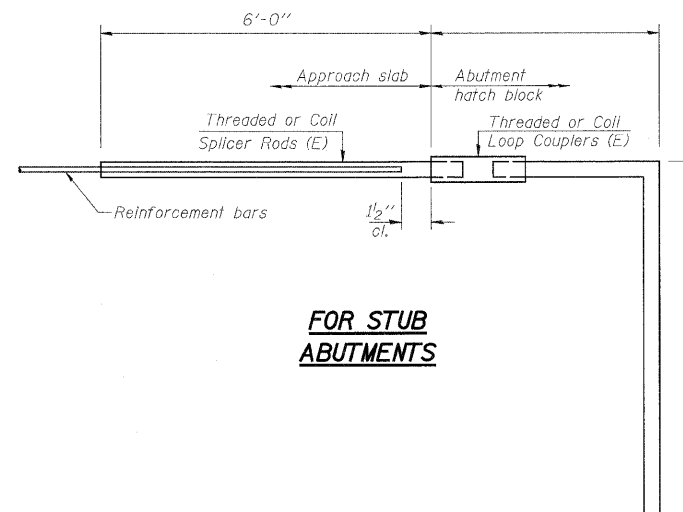
INSTALLATION AND SETTING METHODS

"A" : Set bar splicer assembly by means of a template bolt.
 "B" : Set bar splicer assembly by nailing to wood forms or cementing to steel forms.
 (E) : Indicates epoxy coating.



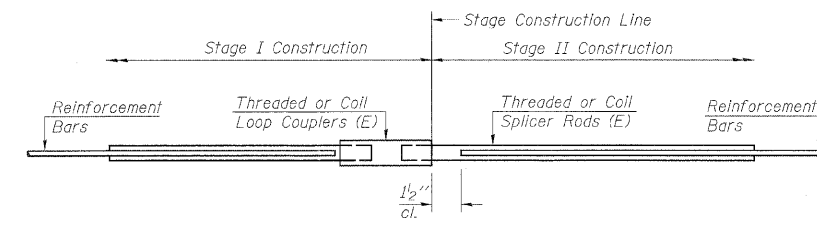
FOR INTEGRAL OR SEMI-INTEGRAL ABUTMENTS

Bar Splicer for #5 bar		
Min. Capacity =	23.0 kips - tension	
Min. Pull-out Strength =	12.3 kips - tension	
No. Required =	142	



FOR STUB ABUTMENTS

Bar Splicer for #5 bar		
Min. Capacity =	23.0 kips - tension	
Min. Pull-out Strength =	12.3 kips - tension	
No. Required =		



STANDARD

Bar Size	No. Assemblies Required	Location
#5	2	S. Abutment
#7	6	S. Abutment
#5	2	N. Abutment
#7	6	N. Abutment
#5	221	Deck
#6	8	S. Diaphragm
#6	8	N. Diaphragm

BAR SPLICER ASSEMBLY DETAILS
STRUCTURE NO.

ILLINOIS DEPARTMENT OF TRANSPORTATION

BAR SPLICER DETAILS

ILLINOIS ROUTE 53 OVER
 SPRING BROOK CREEK
 FAU 2578 SECTION 532B-1
 STRUCTURE NO. 022-0189
 DUPAGE COUNTY STATION 166+46.79

SCALE: NONE DRAWN BY: E. MROTCZEK
 DATE: 6/12/09 CHECKED BY: A. YARGICOGU

REVISIONS	
NAME	DATE