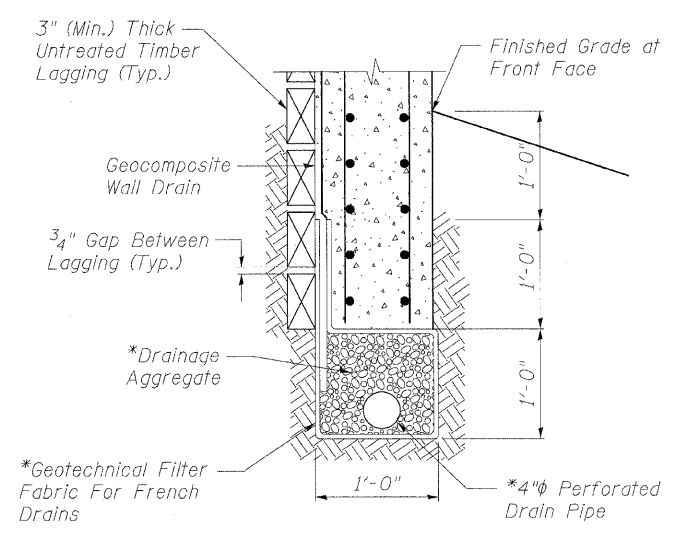
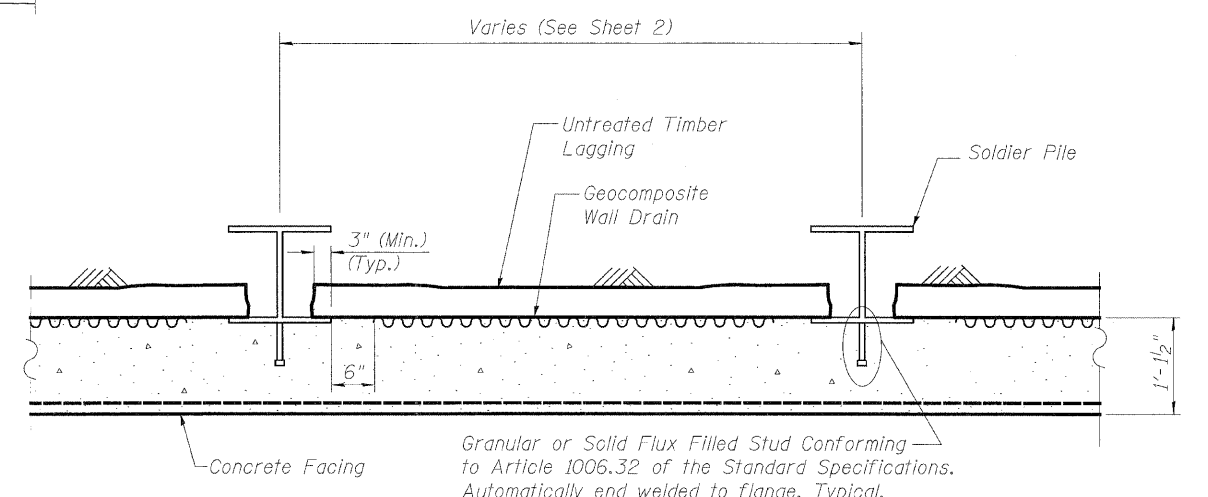


TYPICAL SECTION THRU SOLDIER PILE & LAGGING WALL
(Looking North)

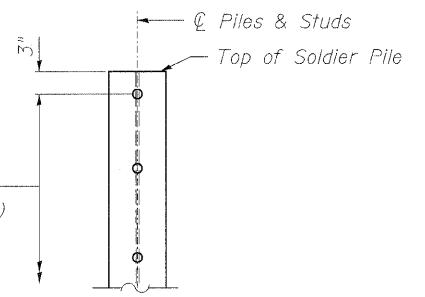


PIPE UNDERDRAIN DETAIL

*Included in the cost of "Pipe Underdrain for Structures, 4"φ"



SECTION A-A



DETAIL OF SHEAR STUD PLACEMENT

TYPICAL SECTIONS & DETAILS
ILLINOIS ROUTE 53 (FAU 2578)
RETAINING WALL
FAU 2578 SECTION 532B
STRUCTURE NO. 022-W031
DUPAGE COUNTY
STA. 168+30.00 TO STA. 170+40.00

SHEET NO. 3 OF 10 SHEETS	F.A.U. RTE. 2578	SECTION 532B	COUNTY DUPAGE	TOTAL SHEETS 117	SHEET NO. 73
	SN 022-W031			CONTRACT NO. 62881	
DATE: 6/12/09	FED. ROAD DIST. NO.	ILLINOIS	FED. AID PROJECT		