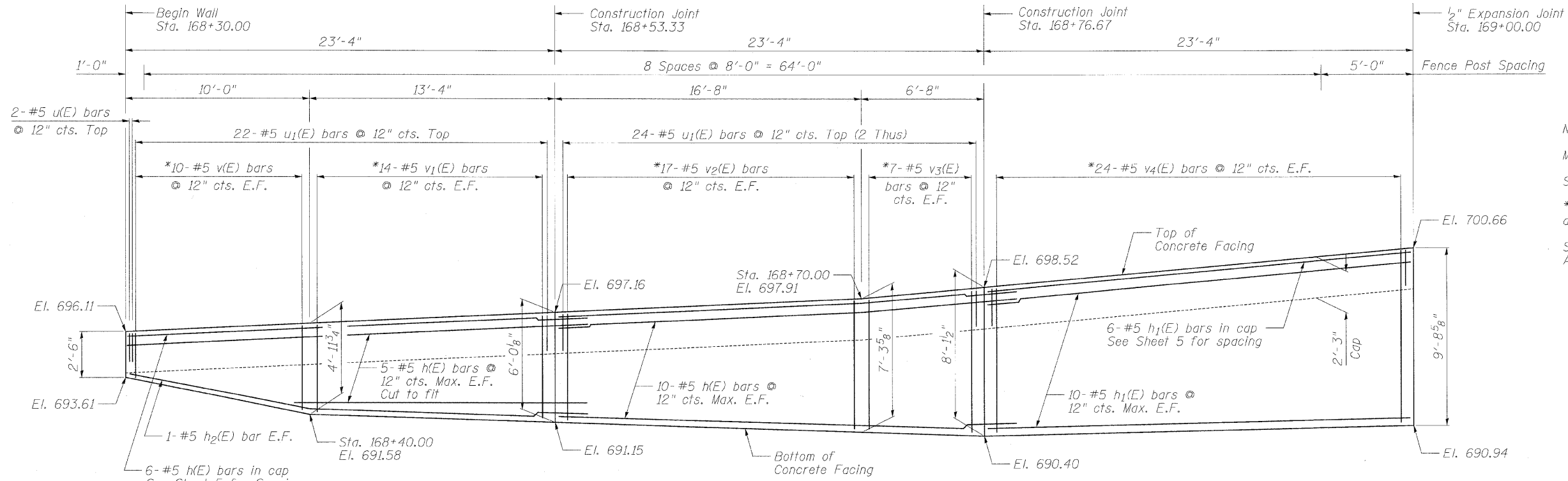
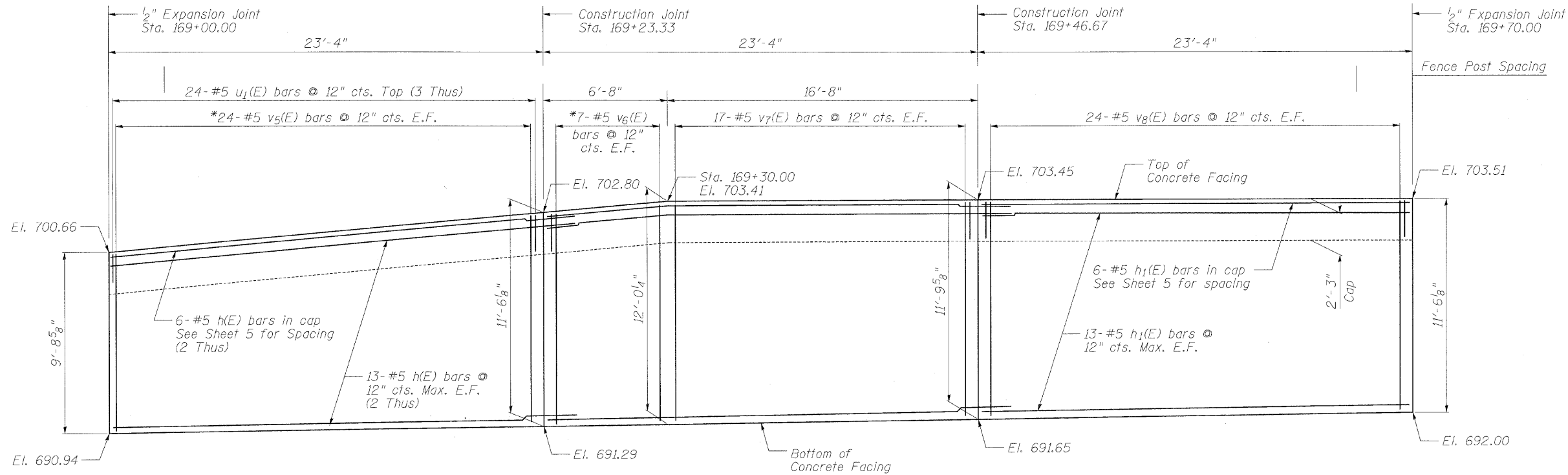


STATE OF ILLINOIS
DEPARTMENT OF TRANSPORTATION



ELEVATION

Notes:
Minimum lap for #5 bar is 2'-2".
Space reinforcement in wall to miss shear studs.
* signifies cut bar. Order per length on Bill of Material. Cut as shown in Cutting Diagram and use half of bars in each face.
See Sheet 5 for Concrete Facing Details, Fence Post Anchor Assembly Details, and Bill of Material.



ELEVATION

CONCRETE FACING
ILLINOIS ROUTE 53 (FAU 2578)
RETAINING WALL
FAU 2578 SECTION 532B
STRUCTURE NO. 022-W031
DUPAGE COUNTY
STA. 168+30.00 TO STA. 170+40.00

SHEET NO. 4 OF 10 SHEETS	F.A.U. RTE. 2578	SECTION 532B	COUNTY DUPAGE	TOTAL SHEETS 117	SHEET NO. 74
	SN 022-W031		CONTRACT NO. 62881		
DATE: 6/12/09	FED. ROAD DIST. NO.		ILLINOIS	FED. AID PROJECT	