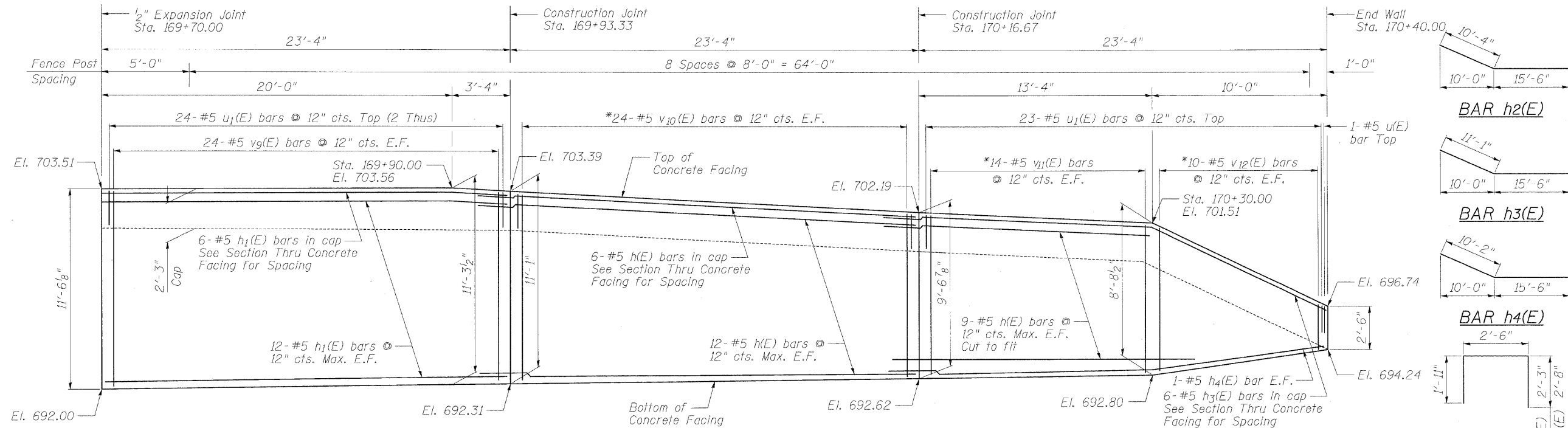


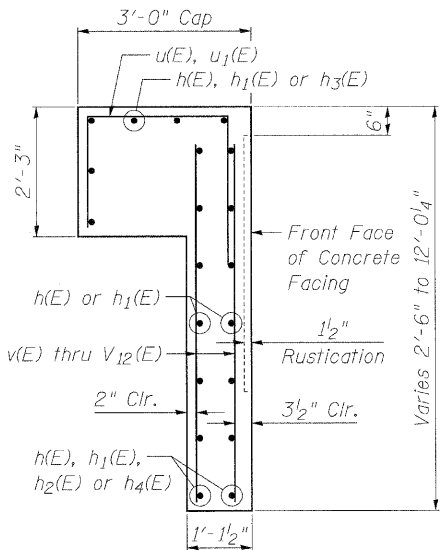
STATE OF ILLINOIS  
DEPARTMENT OF TRANSPORTATION



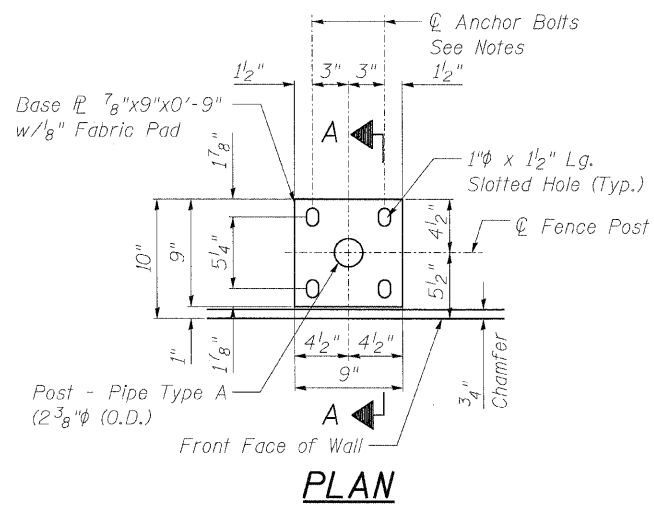
**ELEVATION**

**BILL OF MATERIAL**

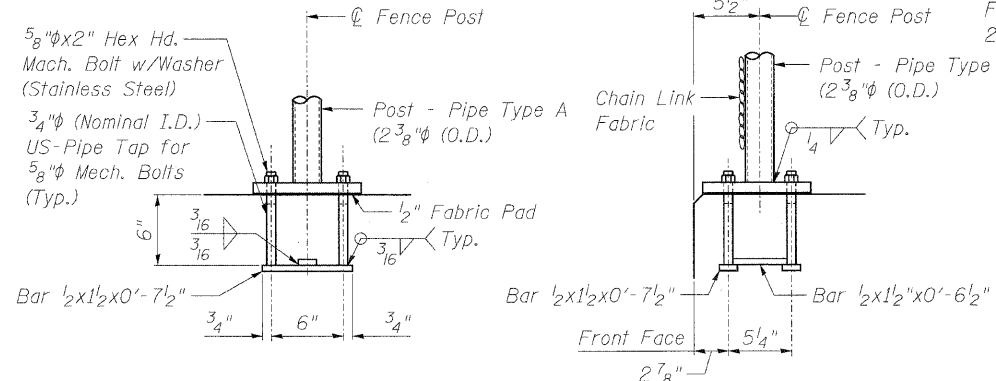
Bar	No.	Size	Length	Shape
h(E)	154	#5	25'-6"	—
h1(E)	88	#5	23'-0"	—
h2(E)	2	#5	25'-10"	—
h3(E)	6	#5	26'-7"	—
h4(E)	2	#5	25'-8"	—
u(E)	3	#5	6'-8"	□
u1(E)	213	#5	7'-1"	□
v(E)	10	#5	6'-8"	—
v1(E)	14	#5	10'-4"	—
v2(E)	17	#5	12'-8"	—
v3(E)	7	#5	14'-9"	—
v4(E)	24	#5	17'-1"	—
v5(E)	24	#5	20'-6"	—
v6(E)	7	#5	22'-9"	—
v7(E)	34	#5	11'-6"	—
v8(E)	48	#5	11'-3"	—
v9(E)	48	#5	10'-10"	—
v10(E)	24	#5	20'-0"	—
v11(E)	14	#5	17'-7"	—
v12(E)	10	#5	10'-6"	—
Item	Unit	Quantity		
Concrete Structures	Cu. Yd.	114.6		
Reinforcement Bars (Epoxy Coated)	Pound	12,110		
Pipe Underdrains for Structures, 4"	Foot	210		
Geocomposite Wall Drain	Sq. Yd.	195		
Form Liner Textured Surface	Sq. Ft.	1,542		



**SECTION THRU CONCRETE FACING**



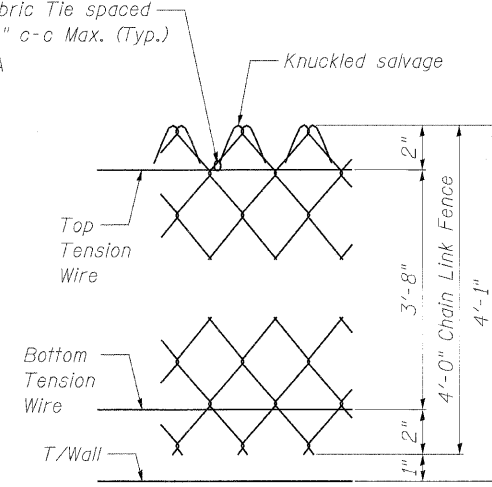
**PLAN**



**ELEVATION**

**SECTION A-A**

**FENCE POST ANCHOR ASSEMBLY DETAILS**

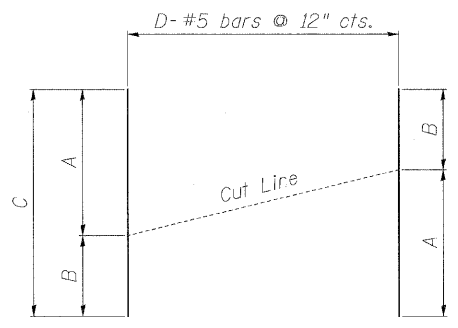


**DETAIL 1**

**Notes:**

- Minimum lap for #5 bar is 2'-2".
- Space reinforcement in wall to miss shear studs.
- \* signifies cut bar. Order per length on Bill of Material. Cut as shown in Cutting Diagram and use half of bars in each face.
- Anchor Bolts: In lieu of the Cast in Place Anchor Bolt Assembly shown, the Contractor has the option of Drilling and Grouting 1/2" Anchor Rods with Hex Nuts 1/4" Washers. Embedment shall be according to Adhesive Anchor Manufacturers Specifications. Weld nuts to Anchor Bolt after installation. Cost included with Chain Link Fence, 4' Attached to Structure.

For additional Chain Link Fence Details, see Std. 664001.



**CUTTING DIAGRAM**

Order bars full length. Cut as shown and use half of bars in each face.

Bar	A	B	C	D
v(E)	2'-3"	4'-5"	6'-8"	10
v1(E)	4'-8"	5'-8"	10'-4"	14
v2(E)	5'-8"	7'-0"	12'-8"	17
v3(E)	7'-0"	7'-9"	14'-9"	7
v4(E)	7'-9"	9'-4"	17'-1"	24
v5(E)	9'-4"	11'-2"	20'-6"	24
v6(E)	11'-2"	11'-7"	22'-9"	7
v10(E)	10'-9"	9'-3"	20'-0"	24
v11(E)	9'-3"	8'-4"	17'-7"	14
v12(E)	8'-3"	2'-3"	10'-6"	10

**CONCRETE FACING & DETAILS**  
**ILLINOIS ROUTE 53 (FAU 2578)**  
**RETAINING WALL**  
**FAU 2578 SECTION 532B**  
**STRUCTURE NO. 022-W031**  
**DUPAGE COUNTY**  
**STA. 168+30.00 TO STA. 170+40.00**

SHEET NO. 5 OF 10 SHEETS	F.A.U. RTE. 2578	SECTION 532B	COUNTY DUPAGE	TOTAL SHEETS 117	SHEET NO. 75
	SN 022-W031		CONTRACT NO. 62881		
DATE: 6/12/09	FED. ROAD DIST. NO.		ILLINOIS	FED. AID PROJECT	