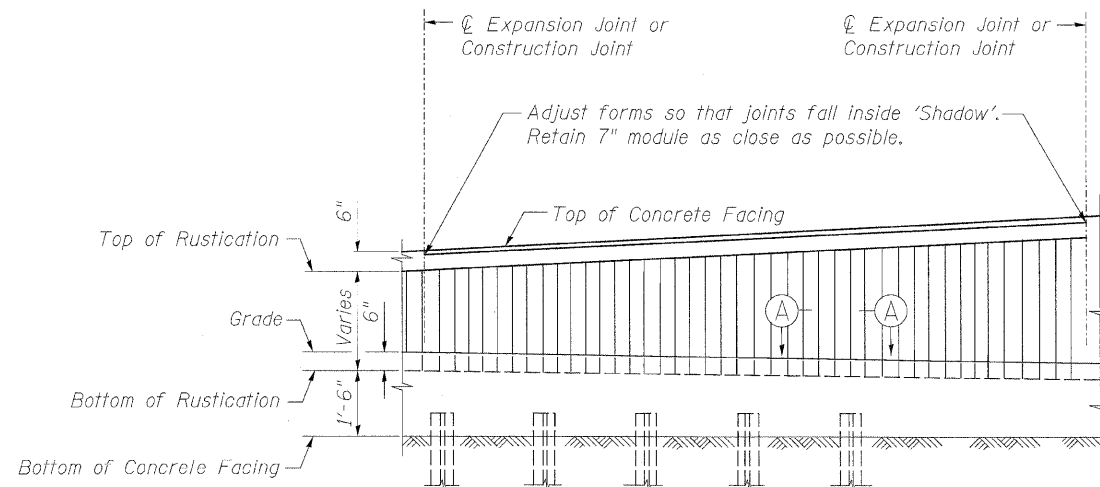
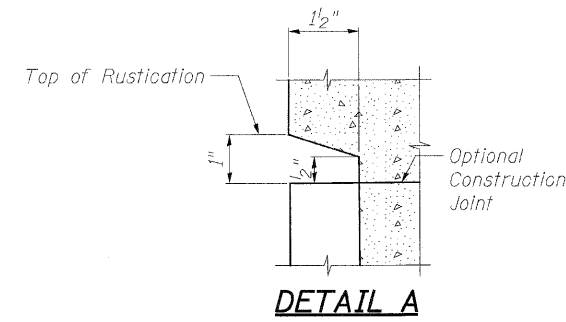


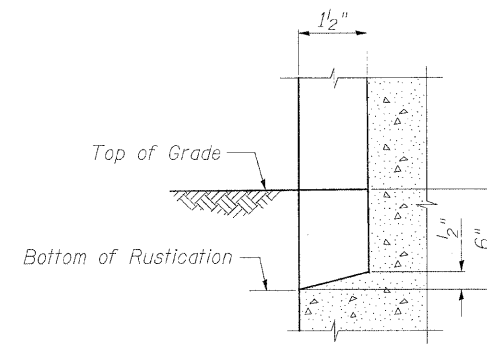
STATE OF ILLINOIS  
DEPARTMENT OF TRANSPORTATION



**ELEVATION-TYPICAL ARCHITECTURAL FINISH**



**DETAIL A**



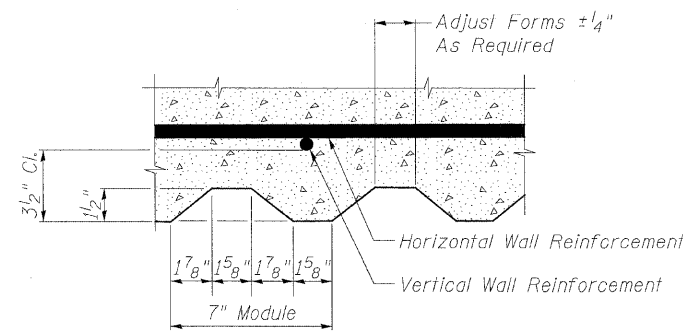
**DETAIL B**

**RUSTICATION ELEVATION TABLE**

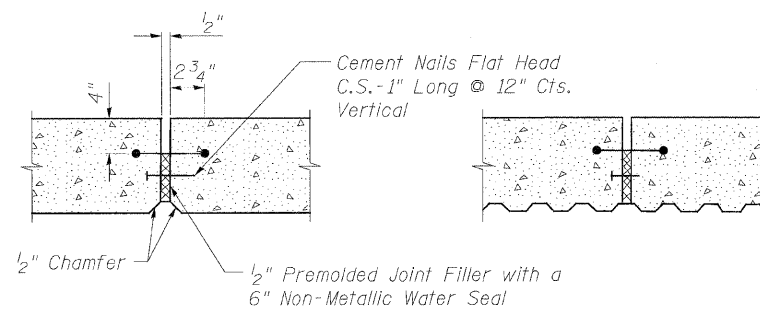
Station	Rustication Top Elevation	Rustication Bottom Elevation
168+30.00	696.11	693.61
168+40.00	696.56	691.58
168+53.33	697.16	691.15
168+70.00	697.91	690.61
168+76.67	698.52	690.40
169+00.00	700.66	690.94
169+23.33	702.80	691.29
169+30.00	703.41	691.39
169+46.67	703.45	691.65
169+70.00	703.51	692.00
169+90.00	703.56	692.27
169+93.33	703.39	692.31
170+16.67	702.19	692.62
170+30.00	701.51	692.80
170+40.00	696.74	694.24

**LOCATION OF EXPANSION AND CONSTRUCTION JOINT TABLE**

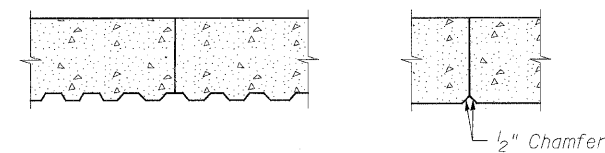
Station	Type of Joint
168+30.00	Start of Wall
168+53.33	Construction
168+76.67	Construction
169+00.00	Expansion
169+23.33	Construction
169+46.67	Construction
169+70.00	Expansion
169+93.33	Construction
170+16.67	Construction
170+40.00	End of Wall



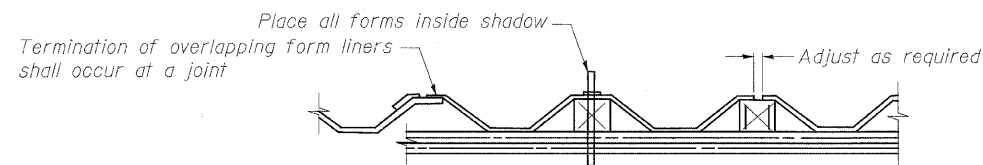
**SECTION A-A**



**EXPANSION JOINT DETAIL**



**CONSTRUCTION JOINT DETAIL**



**SUGGESTED FORMWORK DETAIL**

Rustication Finish shall refer to Form Liner Textured Surface

**RUSTICATION DETAILS  
ILLINOIS ROUTE 53 (FAU 2578)  
RETAINING WALL  
FAU 2578 SECTION 532B  
STRUCTURE NO. 022-W031  
DUPAGE COUNTY  
STA. 168+30.00 TO STA. 170+40.00**

SHEET NO. 6 OF 10 SHEETS	F.A.U. RTE.	SECTION	COUNTY	TOTAL SHEETS	SHEET NO.
	2578	532B	DUPAGE	117	76
DATE: 6/12/09	SN 022-W031		CONTRACT NO. 62881		
FED. ROAD DIST. NO.		ILLINOIS	FED. AID PROJECT		