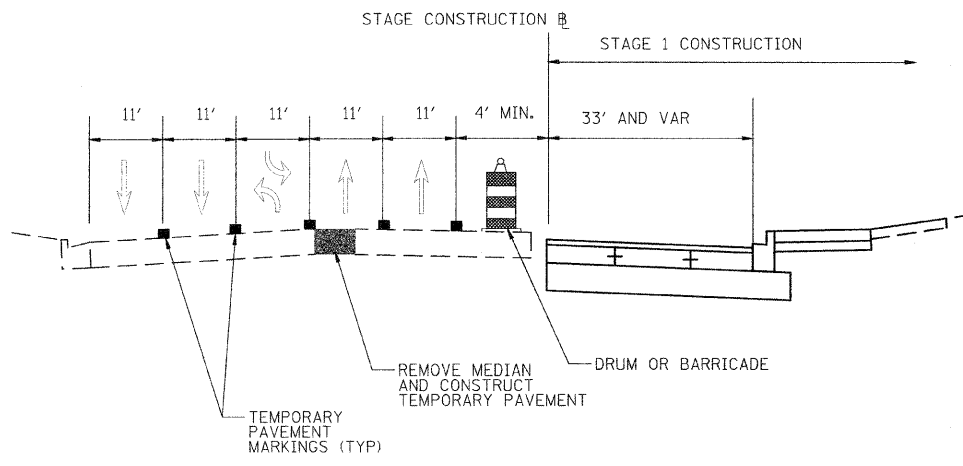
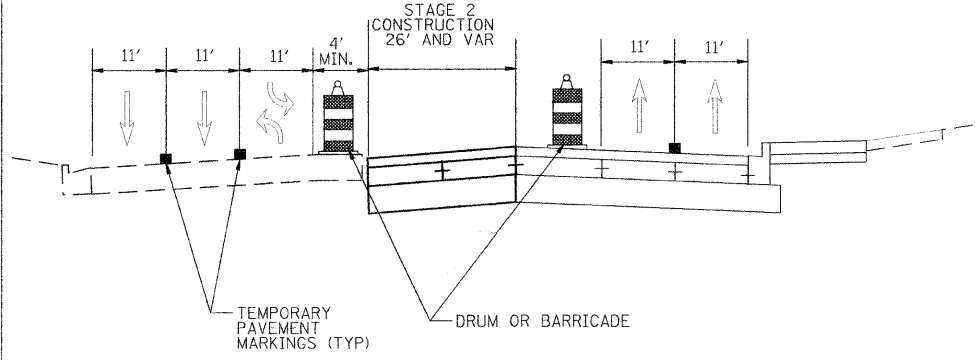


F.A.P. SECTION	COUNTY	TOTAL SHEETS	SHEET NO.
350 00-00242-00-CH	COOK	129	18
STA.	TO STA.		
FED. ROAD DIST. NO. 7 ILLINOIS FED. AID PROJECT			



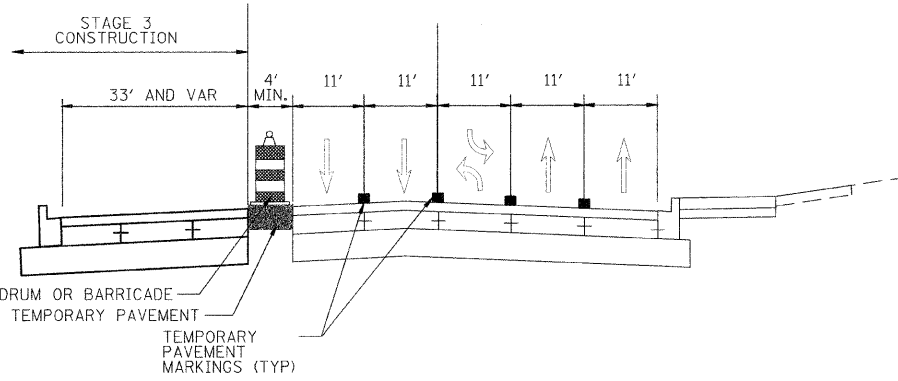
SKOKIE BLVD STAGE 1 TYPICAL SECTION

- STAGE 1:**
1. REMOVE MEDIANS AND ISLANDS AND CONSTRUCT TEMPORARY PAVEMENT. USE TRAFFIC CONTROL STANDARDS 701501, 701601, 701602, 701701, 701801 AND 701901 TO PERFORM THIS WORK.
  2. SET UP TRAFFIC CONTROL STRIPING, SIGNS AND BARRICADES FOR SKOKIE BOULEVARD WITH FIVE LANES OF TRAFFIC (TWO THRU LANES IN EACH DIRECTION AND ONE TURN LANE) ALONG THE WEST SIDE.
  3. SET UP TRAFFIC CONTROL STRIPING, SIGNS AND BARRICADES FOR GOLF ROAD WITH FOUR LANES OF TRAFFIC (ONE THRU LANE, ONE LEFT TURN LANE, AND ONE RIGHT TURN LANE FOR EACH DIRECTION) ALONG NORTH SIDE.
  4. CONSTRUCT WATER MAIN CROSSINGS ON GOLF ROAD AT STATION 201+88 AND 206+06. CONSTRUCT TEMPORARY PAVEMENT AT STA. 201+88 UNTIL PERMANENT PATCH IS CONSTRUCTED
  5. CONSTRUCT MAINLINE STORM SEWER AND STORM LATERALS WITHIN THIS STAGE WORK AREA.
  6. CONSTRUCT THREE NORTHBOUND LANES OF SKOKIE BOULEVARD IN STAGE 1.
  7. CONSTRUCT EAST LEG OF GOLF ROAD IN SUB-STAGES 1A, 1B, 1C, 1D AND 1E.
  8. CONSTRUCT EAST LEG OF FOSTER STREET IN SUB-STAGES 1A AND 1B.
  9. BEGIN CONSTRUCTION OF TRAFFIC SIGNALS AND LIGHTING (WILL BE ONGOING)
  10. CONSTRUCT TEMPORARY PAVEMENT TO BE USED IN STAGE 2.



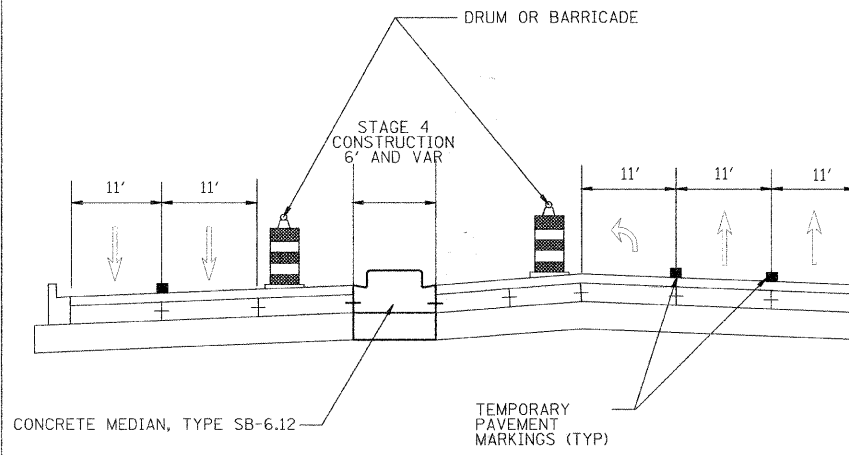
SKOKIE BLVD STAGE 2 TYPICAL SECTION

- STAGE 2:**
1. SET UP TRAFFIC CONTROL STRIPING, SIGNS AND BARRICADES FOR SKOKIE BOULEVARD WITH TWO NORTHBOUND LANES ON NEW PAVEMENT CONSTRUCTED IN STAGE 1 AND TWO SOUTHBOUND LANES AND TURN LANES AS SET UP IN STAGE 1.
  2. SET UP TRAFFIC CONTROL STRIPING, SIGNS AND BARRICADES FOR GOLF ROAD WITH FOUR LANES OF TRAFFIC (ONE THRU LANE, ONE LEFT TURN LANE, AND ONE RIGHT TURN LANE FOR EACH DIRECTION) ALONG NORTH SIDE.
  3. CONSTRUCT STORM SEWER LATERALS WITHIN THIS STAGE WORK AREA.
  4. CONSTRUCT MIDDLE TURN LANES ON SKOKIE BOULEVARD IN STAGE 2.
  5. CONSTRUCT NORTH BOUND TURN LANE TO SOUTH OLD ORCHARD MALL ENTRANCE IN SUB-STAGE 2A.
  6. CONSTRUCT MIDDLE TURN LANES AND INTERSECTION OF GOLF ROAD IN SUB-STAGES 2B, 2C AND 2D.
  7. CONSTRUCT MIDDLE TURN LANES AND INTERSECTION OF FOSTER STREET IN SUB-STAGES 2D, 2E, 2F AND 2G.
  8. CONSTRUCT TEMPORARY PAVEMENT TO BE USED IN STAGE 3.



SKOKIE BLVD STAGE 3 TYPICAL SECTION

- STAGE 3:**
1. SET UP TRAFFIC CONTROL STRIPING, SIGNS AND BARRICADES FOR SKOKIE BOULEVARD WITH FIVE LANES OF TRAFFIC (TWO THRU LANES IN EACH DIRECTION AND ONE TURN LANE) ALONG THE EAST SIDE.
  2. SET UP TRAFFIC CONTROL STRIPING, SIGNS AND BARRICADES FOR GOLF ROAD WITH FOUR LANES OF TRAFFIC (ONE THRU LANE, ONE LEFT TURN LANE AND ONE RIGHT TURN LANE FOR EACH DIRECTION) ALONG NORTH SIDE.
  3. CONSTRUCT WATER MAIN AND STORM SEWER LATERALS WITHIN THIS STAGE WORK AREA.
  4. CONSTRUCT THREE SOUTHBOUND LANES ON SKOKIE BOULEVARD IN STAGE 3.
  5. CONSTRUCT WEST LEG OF GOLF ROAD IN SUB-STAGES 3A, 3B, 3C AND 3D.
  6. CONSTRUCT WEST LEG OF FOSTER STREET IN SUB-STAGES 3A AND 3B.



SKOKIE BLVD STAGE 4 TYPICAL SECTION

- STAGE 4:**
1. SET UP TRAFFIC CONTROL STRIPING, SIGNS AND BARRICADES FOR SKOKIE BOULEVARD AS IN STAGE 2.
  2. SET UP TRAFFIC CONTROL STRIPING, SIGNS AND BARRICADES FOR GOLF ROAD SO TRAFFIC IS SPLIT ON NORTH AND SOUTH SIDES.
  3. CONSTRUCT STORM SEWER LATERALS WITHIN THIS STAGE WORK AREA.
  4. CONSTRUCT CONCRETE MEDIANS.
  5. COMPLETE TRAFFIC SIGNAL INSTALLATIONS.
  6. COMPLETE TRAFFIC LIGHTING INSTALLATION.
  7. CONSTRUCT LANDSCAPING.
  8. PAVE HOT-MIX ASPHALT SURFACE COURSE.
  9. STRIPE PAVEMENT MARKINGS.
  10. PUNCHLIST.

DATE = 11/13/2008  
 PLOT DATE = 11/13/2008  
 PLOT SCALE = 1/8"=1'-0"  
 USER NAME = MUSER

REVISIONS		ILLINOIS DEPARTMENT OF TRANSPORTATION SKOKIE BOULEVARD (U.S. ROUTE 41)
NAME	DATE	
		SUGGESTED TRAFFIC CONTROL PLANS TYPICAL SECTIONS

DATE 11-14-08  
 DRAWN BY SAC  
 CHECKED BY DWB