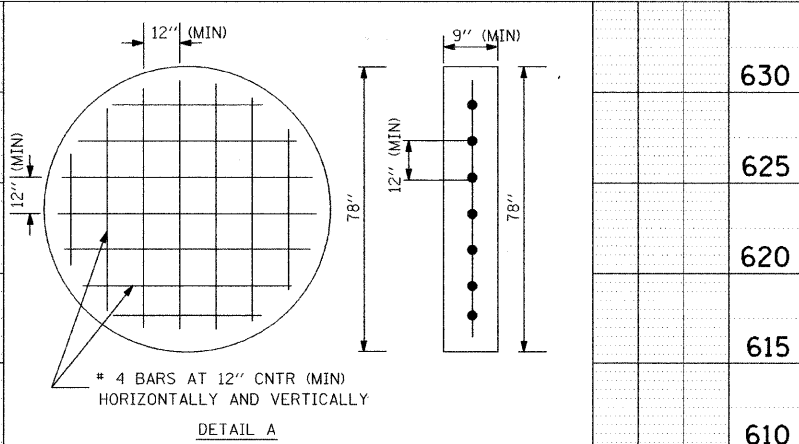
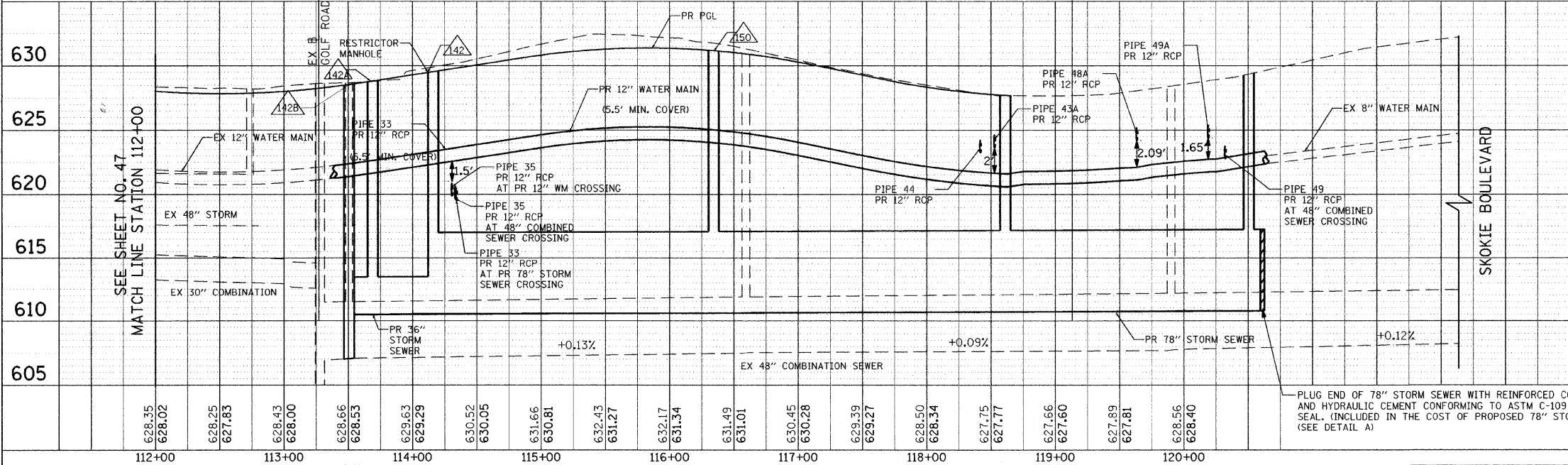
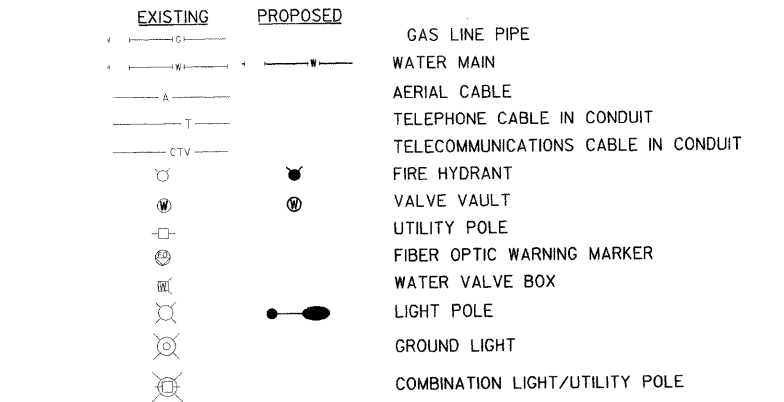
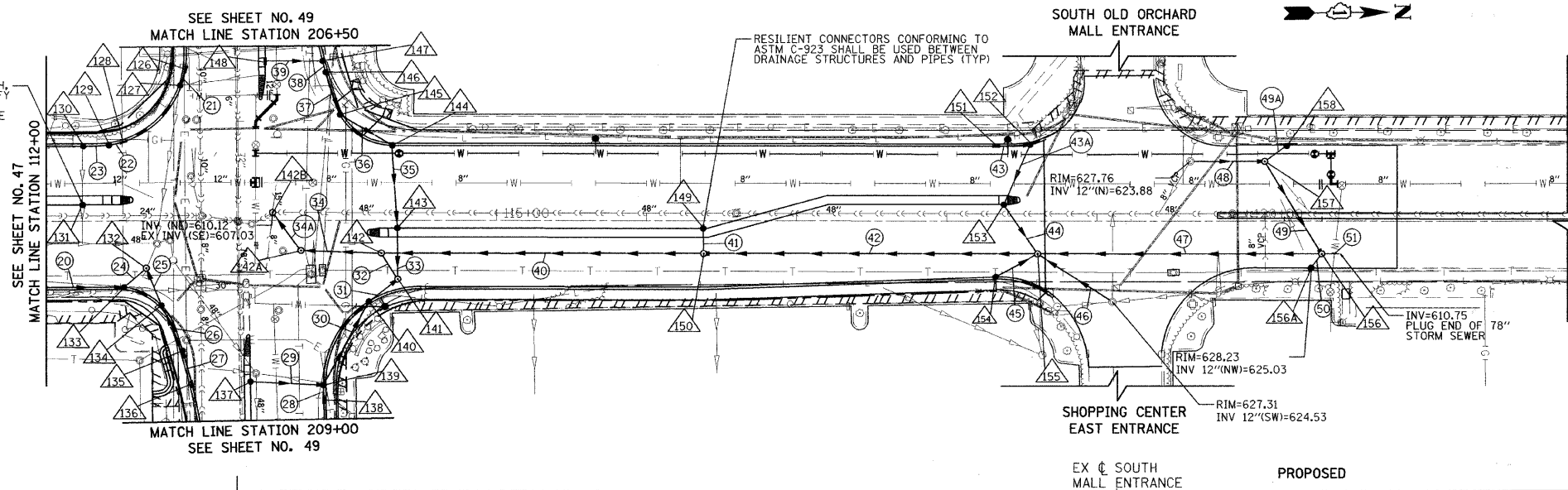
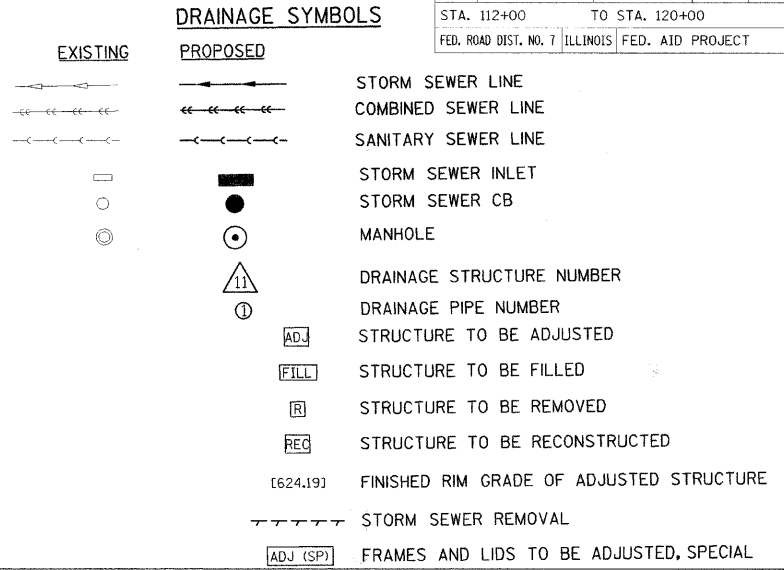
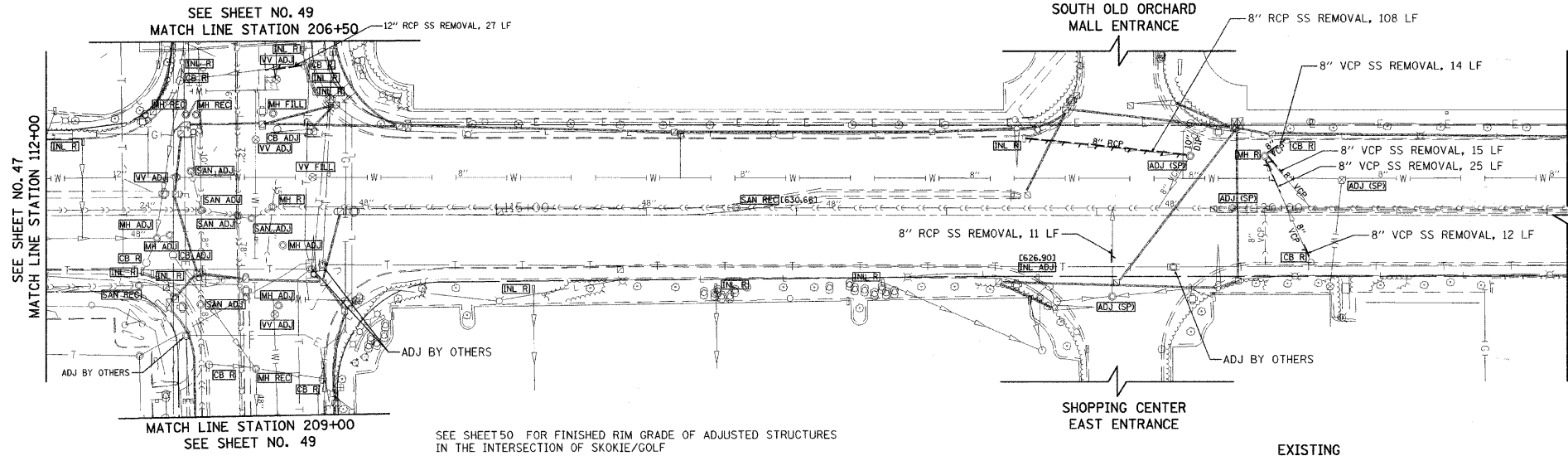


F.A.P. RTE.	SECTION	COUNTY	TOTAL SHEETS	SHEET NO.
350	00-00242-00-CH	COOK	129	48
STA. 112+00		TO STA. 120+00		
FED. ROAD DIST. NO. 7		ILLINOIS FED. AID PROJECT		



REVISIONS	
NAME	DATE

ILLINOIS DEPARTMENT OF TRANSPORTATION
 SKOKIE BOULEVARD (U.S. ROUTE 41)
 SKOKIE BOULEVARD
DRAINAGE AND UTILITIES PLAN
 STA. 112+00 TO STA. 120+00

HORIZ. 50 0 50 DATE 11-14-08
 VERT. 5 0 5 DRAWN BY CEC
 SCALE IN FEET CHECKED BY DWB

DATE	BY

DATE	BY

PLOT DATE = 6/17/2009
 FILE NAME = 6111E
 PLOT SCALE = 1/8"=1'-0"
 USER NAME = BUSER