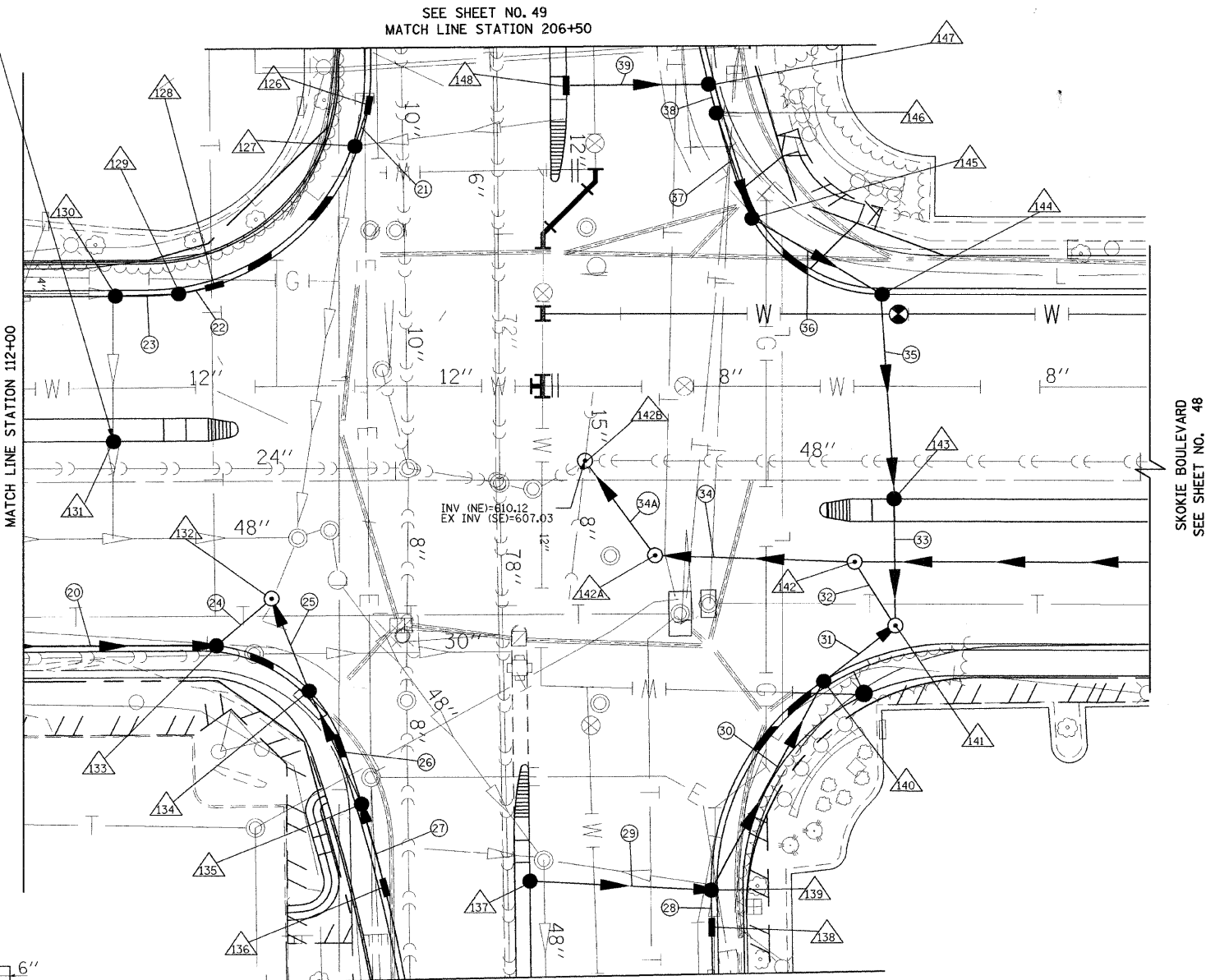
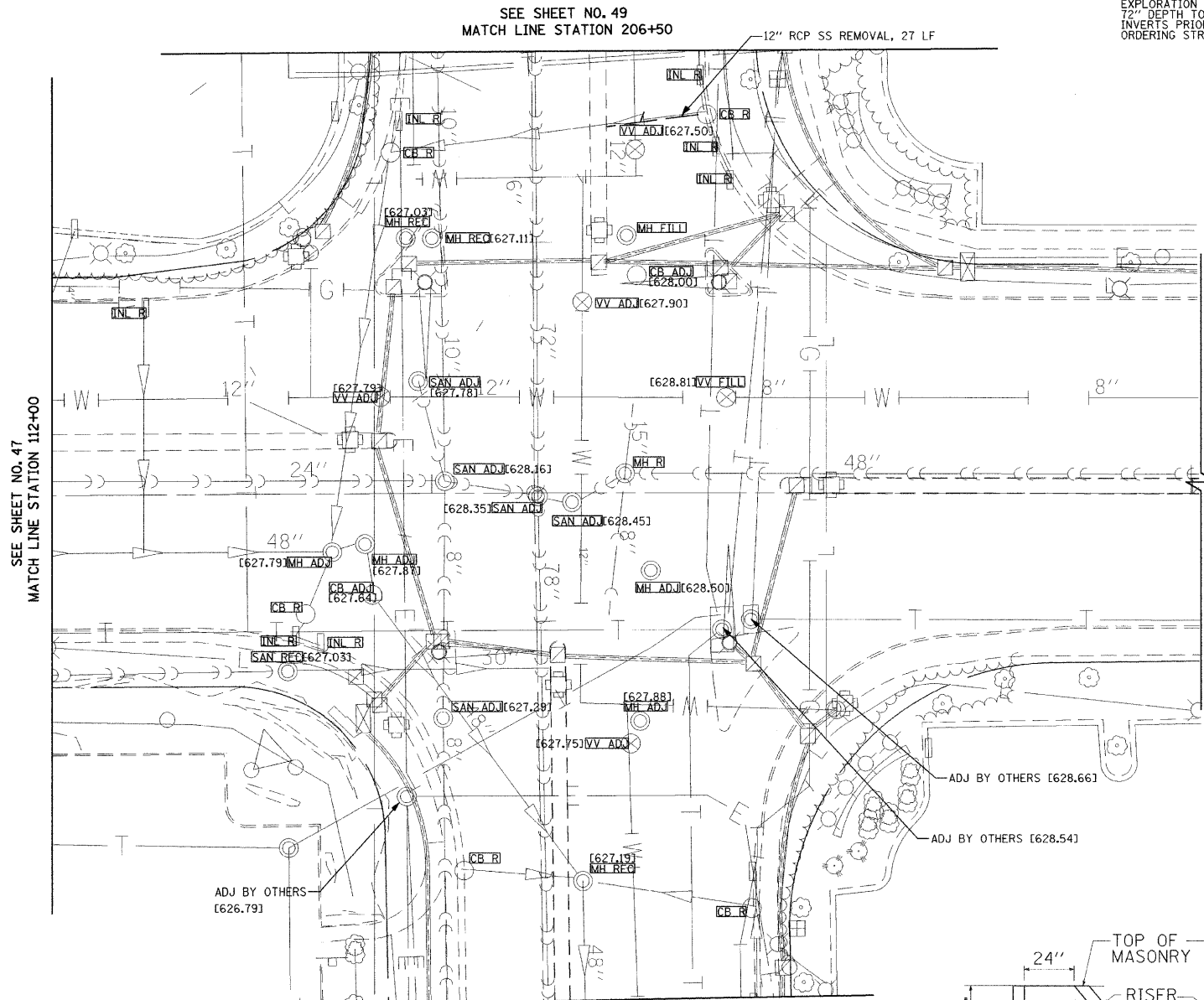
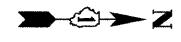
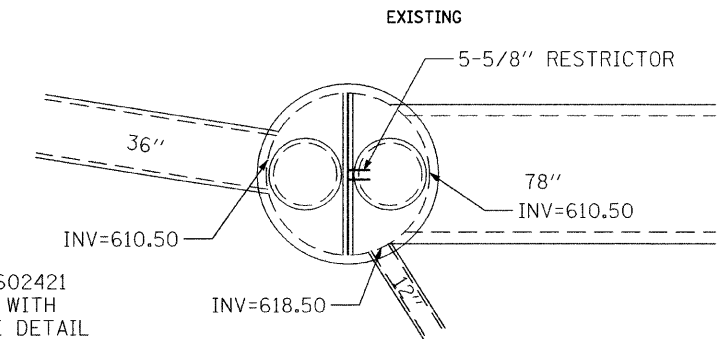


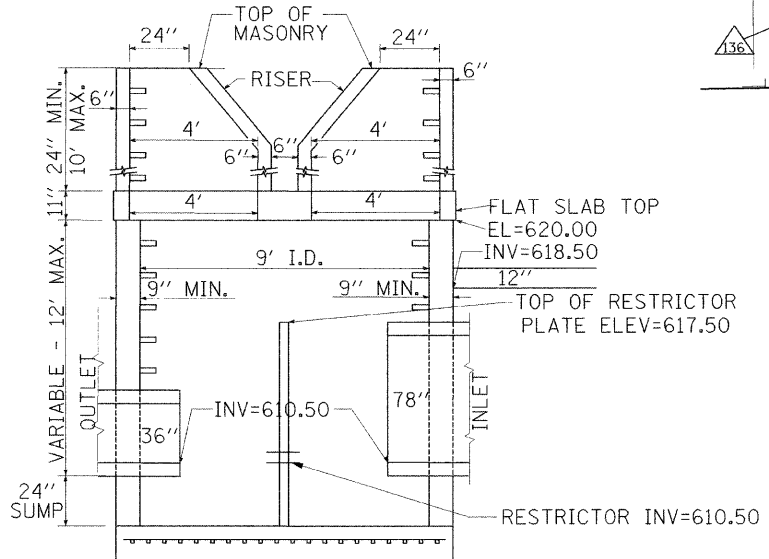
F.A.P. RTE.	SECTION	COUNTY	TOTAL SHEETS	SHEET NO.
350	00-00242-00-CH	COOK	129	50
STA.		TO STA.		
FED. ROAD DIST. NO. 7		ILLINOIS FED. AID PROJECT		



EXPLORATION TRENCH, 72" DEPTH TO VERIFY INVERTS PRIOR TO ORDERING STRUCTURE



EXISTING
MANHOLES, TYPE A, 9'-DIAMETER, TYPE 1 FRAME, CLOSED LID, RESTRICTOR PLATE
MH # 142 PLAN DETAIL



PROPOSED
MANHOLES, TYPE A, 9'-DIAMETER, TYPE 1 FRAME, CLOSED LID, RESTRICTOR PLATE
MH # 142 ELEVATION DETAIL

NOTE: SEE STD. 602421 AND SEE MANHOLE WITH RESTRICTOR PLATE DETAIL (SHEET NO.101)

SEE SHEET 47 FOR DRAINAGE NOTES
SEE SHEET 48 FOR SYMBOLS
SEE SHEET 51 FOR SCHEDULES

REVISIONS	
NAME	DATE

ILLINOIS DEPARTMENT OF TRANSPORTATION
SKOKIE BOULEVARD (U.S. ROUTE 41)
SKOKIE BOULEVARD
DRAINAGE AND UTILITIES PLAN
INTERSECTION OF SKOKIE/GOLF

DATE 11-14-08
DRAWN BY BAW
CHECKED BY CEC

DATE = 6/17/2009
PLOT SCALE = AS SHOWN
USER NAME = AUSER