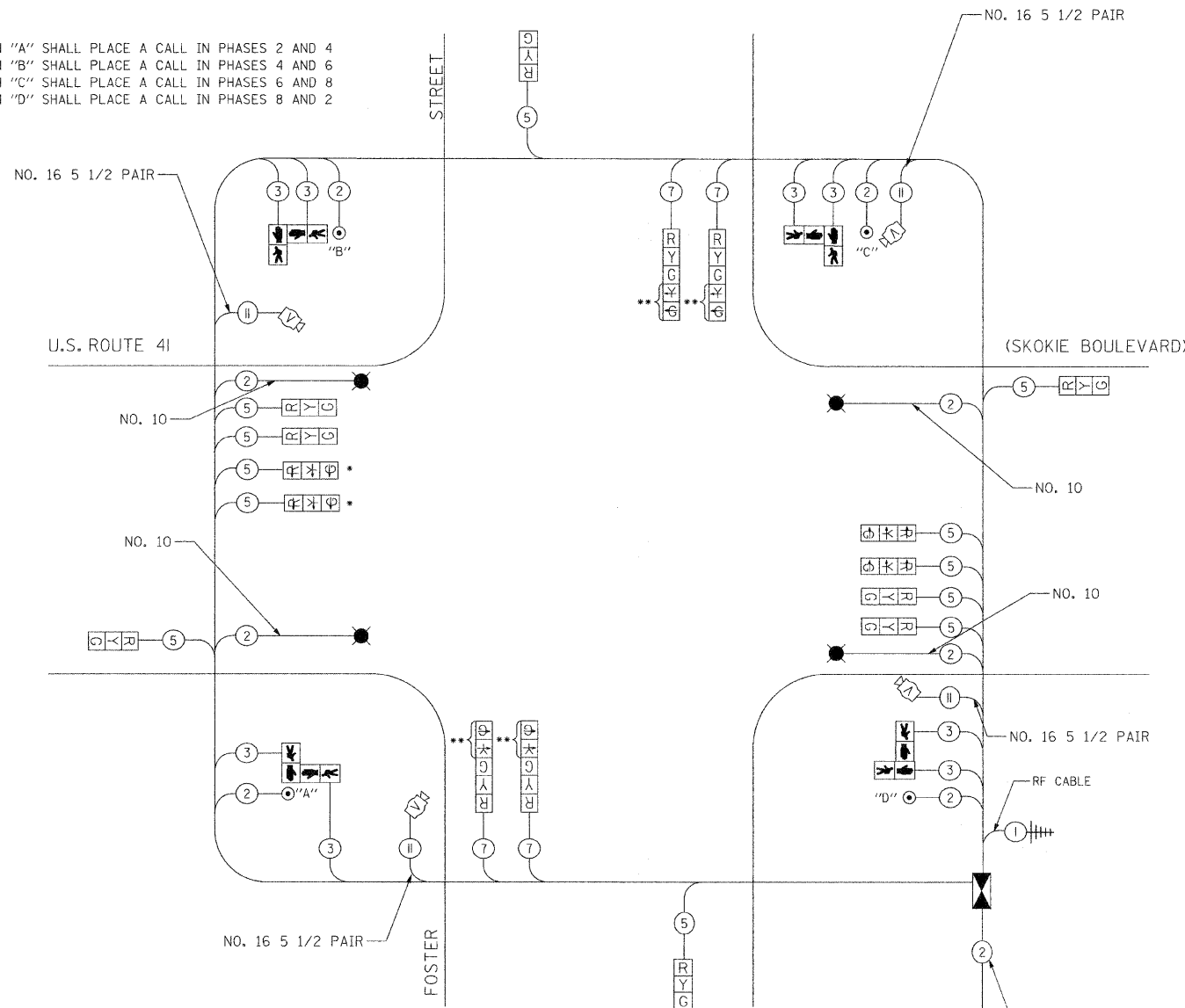


F.A.P. RTE.	SECTION	COUNTY	TOTAL SHEETS	SHEET NO.
350	00-00242-00-CH	COOK	129	65
STA.		TO STA.		
FED. ROAD DIST. NO. 7 ILLINOIS FED. AID PROJECT				

NOTES:  
 PUSH BUTTON "A" SHALL PLACE A CALL IN PHASES 2 AND 4  
 PUSH BUTTON "B" SHALL PLACE A CALL IN PHASES 4 AND 6  
 PUSH BUTTON "C" SHALL PLACE A CALL IN PHASES 6 AND 8  
 PUSH BUTTON "D" SHALL PLACE A CALL IN PHASES 8 AND 2



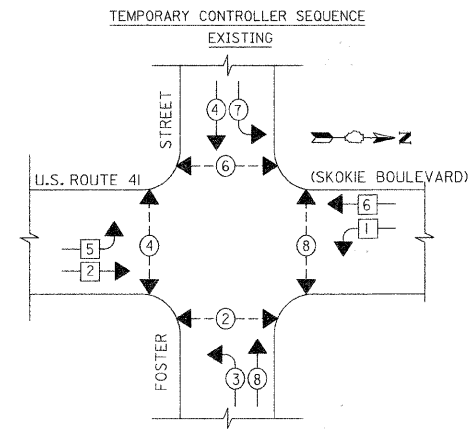
CABLE PLAN

TEMPORARY CABLE DIAGRAM LEGEND

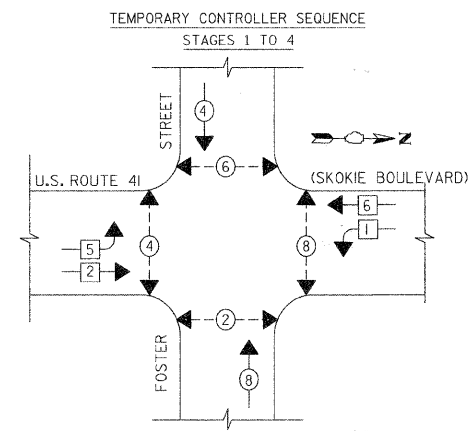
- [R] TEMPORARY TRAFFIC SIGNAL SECTION OR PEDESTRIAN SIGNAL SECTION 12" (300mm)
- [X] TEMPORARY CONTROLLER CABINET
- [⊕] TEMPORARY SERVICE INSTALLATION
- (5) INDICATES NUMBER OF CONDUCTORS IN CABLE. ALL CONDUCTORS TO BE NUMBER 14 AWG WIRE UNLESS OTHERWISE NOTED
- ▶ EMERGENCY VEHICLE LIGHT DETECTOR
- CONFIRMATION BEACON
- VEHICLE DETECTOR, INDUCTION LOOP
- ⊙ PUSHBUTTON DETECTOR
- ▶ 12" (300mm) PEDESTRIAN SIGNAL SECTION
- ▶ MICROWAVE VEHICLE SENSOR
- ⚡ TEMPORARY RADIO INTERCONNECT ANTENNA
- [V] VIDEO DETECTOR
- TEMPORARY 15' MAST ARM WITH 400W HPS LUMINAIRE AT 45' MOUNTING HEIGHT

CONSTRUCTION NOTES:

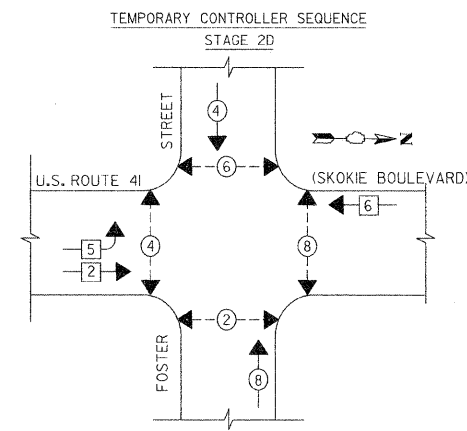
- \* - THESE TEMPORARY SIGNAL HEADS SHALL BE BAGGED DURING MAINTENANCE OF TRAFFIC STAGE 2D
- \*\* - THESE TEMPORARY SIGNAL HEADS SHALL BE BAGGED DURING MAINTENANCE OF TRAFFIC STAGES 1 TO 4



PHASE DESIGNATION DIAGRAM



PHASE DESIGNATION DIAGRAM



PHASE DESIGNATION DIAGRAM

LEGEND

- ◀\*▶ DUAL ENTRY PHASE
- ◀\* SINGLE ENTRY PHASE
- ◀\*▶ PEDESTRIAN PHASE
- ◀\*▶ OVERLAP
- \* NUMBER REFERS TO ASSOCIATED PHASE

THE TRAFFIC SIGNAL CONTROL EQUIPMENT FOR THIS SIGNAL SHALL BE "ECONOLITE" TO MATCH THE EXISTING ADJACENT SYSTEM

PLOT DATE = 11/19/2008  
 FILE NAME = #FILE#  
 PLOT SCALE = #SCALE#  
 USER NAME = #USER#

1051 PERIMETER DRIVE, SUITE 1025  
 SHAMBURG, ILLINOIS 60173  
 (847) 605-9800



I.D.O.T. TRAFFIC SIGNAL INSTALLATION ELECTRICAL SERVICE REQUIREMENTS					TOTAL WATTAGE
TYPE	NO. LAMPS	WATTAGE		%OPERATION	
SIGNAL (RED)	16	---	17	0.50	136
(YELLOW)	16	---	25	0.25	100
(GREEN)	16	---	15	0.25	60
ARROW	8	---	12	0.10	10
PED SIGNAL	8	---	25	1.0	200
CONTROLLER	1	---	100	1.0	100
ILLUM. SIGN					
FLASHER					
ENERGY COSTS TO:					TOTAL= 606
VILLAGE OF SKOKIE 5050 GROSS POINT ROAD SKOKIE, IL 60077					
ENERGY SUPPLY CONTACT: MR. LARRY SHANK PHONE: (847) 816-5465 COMPANY: COMED					

REVISIONS	
NAME	DATE

ILLINOIS DEPARTMENT OF TRANSPORTATION  
 TEMPORARY CABLE PLAN AND  
 TEMPORARY PHASE DESIGNATION DIAGRAM  
 U.S. ROUTE 41 (SKOKIE BOULEVARD)  
 AND FOSTER STREET  
 SCALE NOT TO SCALE  
 DATE 11-14-08  
 DRAWN BY SAG  
 DESIGNED BY SRS  
 CHECKED BY KMM