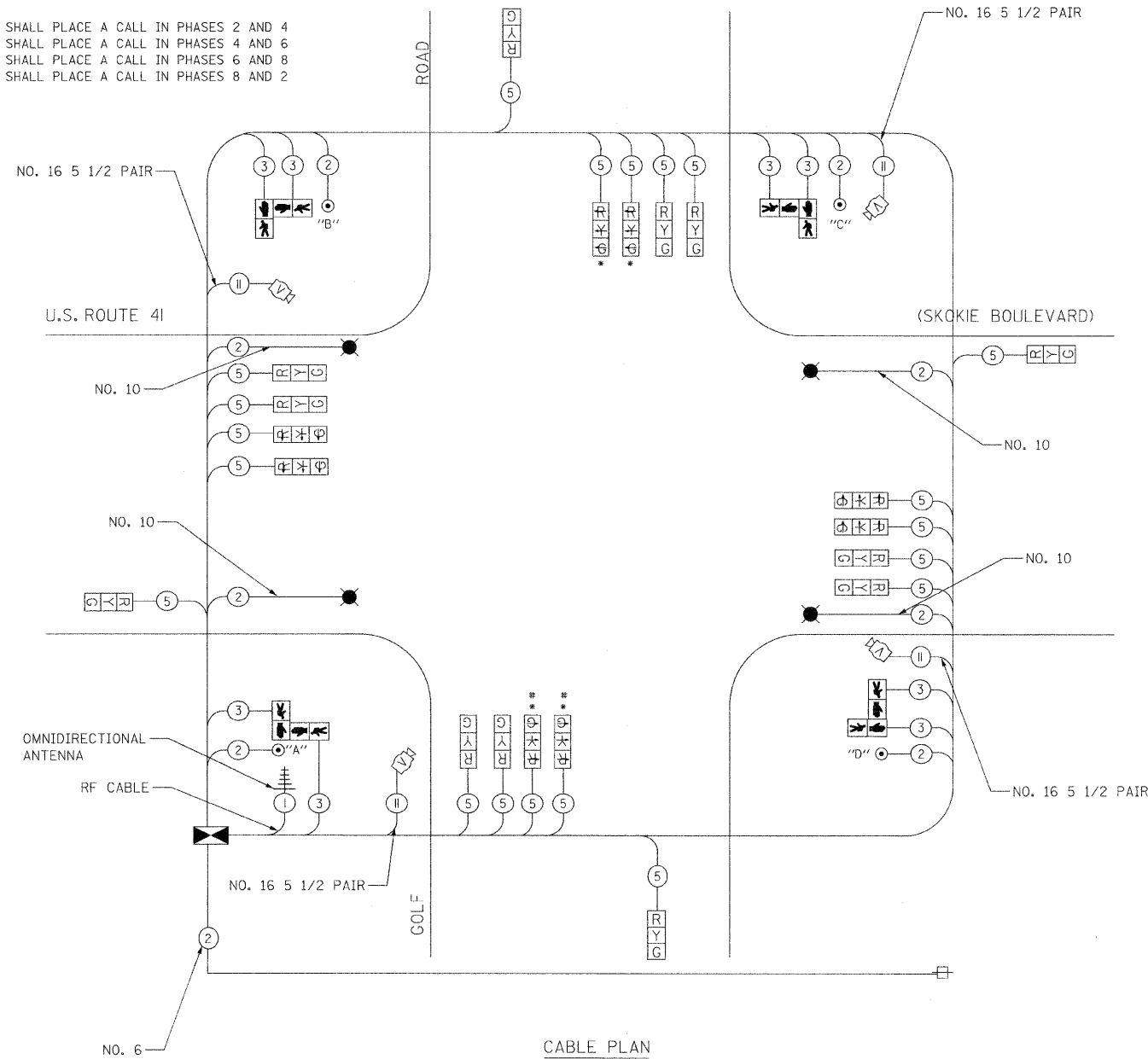
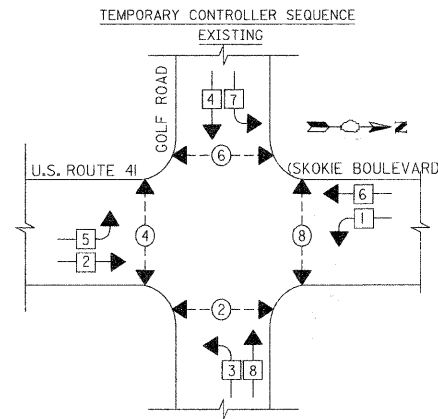


F.A.P. RTE.	SECTION	COUNTY	TOTAL SHEETS	SHEET NO.
350	00-00242-00-CH	COOK	129	71
STA.		TO STA.		
FED. ROAD DIST. NO. 7 ILLINOIS FED. AID PROJECT				

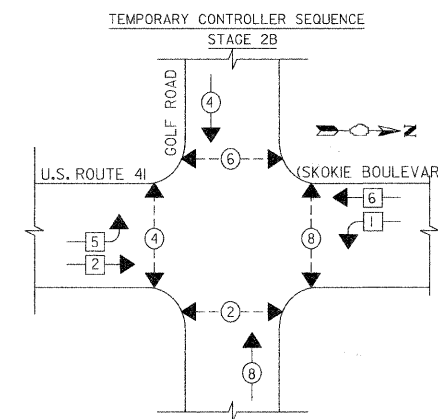
NOTES:
 PUSH BUTTON "A" SHALL PLACE A CALL IN PHASES 2 AND 4
 PUSH BUTTON "B" SHALL PLACE A CALL IN PHASES 4 AND 6
 PUSH BUTTON "C" SHALL PLACE A CALL IN PHASES 6 AND 8
 PUSH BUTTON "D" SHALL PLACE A CALL IN PHASES 8 AND 2



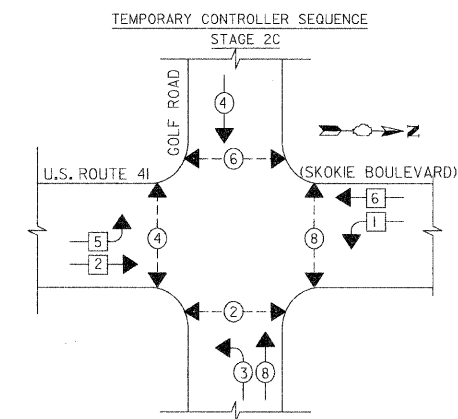
CABLE PLAN



PHASE DESIGNATION DIAGRAM



PHASE DESIGNATION DIAGRAM



PHASE DESIGNATION DIAGRAM

- LEGEND
- ⊗ DUAL ENTRY PHASE
 - ⊗ SINGLE ENTRY PHASE
 - ⊗ PEDESTRIAN PHASE
 - ⊗ OL OVERLAP
 - * NUMBER REFERS TO ASSOCIATED PHASE

THE TRAFFIC SIGNAL CONTROL EQUIPMENT FOR THIS SIGNAL SHALL BE "ECONOLITE" TO MATCH THE EXISTING ADJACENT SYSTEM

TEMPORARY CABLE DIAGRAM LEGEND

- ⊗ TEMPORARY TRAFFIC SIGNAL SECTION OR PEDESTRIAN SIGNAL SECTION 12" (300mm)
- ⊗ TEMPORARY CONTROLLER CABINET
- ⊗ TEMPORARY SERVICE INSTALLATION
- ⑤ INDICATES NUMBER OF CONDUCTORS IN CABLE. ALL CONDUCTORS TO BE NUMBER 14 AWG WIRE UNLESS OTHERWISE NOTED
- ▶ EMERGENCY VEHICLE LIGHT DETECTOR
- ▶ CONFIRMATION BEACON
- VEHICLE DETECTOR, INDUCTION LOOP
- ⊗ PUSHBUTTON DETECTOR
- ▶ 12" (300mm) PEDESTRIAN SIGNAL SECTION
- ▶ MICROWAVE VEHICLE SENSOR
- ⊗ TEMPORARY RADIO INTERCONNECT ANTENNA
- ⊗ VIDEO DETECTOR
- ▶ TEMPORARY 15' MAST ARM WITH 400W HPS LUMINAIRE AT 45' MOUNTING HEIGHT

CONSTRUCTION NOTES:

- * - THESE TEMPORARY SIGNAL HEADS SHALL BE BAGGED DURING MAINTENANCE OF TRAFFIC STAGE 2B
- * - THESE TEMPORARY SIGNAL HEADS SHALL BE BAGGED DURING MAINTENANCE OF TRAFFIC STAGE 2C

PLOT DATE = 11/19/2008
 FILE NAME = HFILE1
 PLOT SCALE = 1/8"=1'-0"
 USER NAME = MUSER08

1051 PERIMETER DRIVE, SUITE 1025
 SHALMBURG, ILLINOIS 60173
 (847) 605-9600



I.D.O.T. TRAFFIC SIGNAL INSTALLATION ELECTRICAL SERVICE REQUIREMENTS					TOTAL WATTAGE
TYPE	NO. LAMPS	INCAND.	LED	OPERATION	
SIGNAL (RED)	20	---	17	0.50	170
(YELLOW)	20	---	25	0.25	125
(GREEN)	20	---	15	0.25	75
ARROW	8	---	12	0.10	10
PED SIGNAL	8	---	25	1.0	200
CONTROLLER	1	---	100	1.0	100
ILLUM. SIGN					
FLASHER					
ENERGY COSTS TO:					TOTAL= 680

VILLAGE OF SKOKIE
 9050 GROSS POINT ROAD
 SKOKIE, IL 60077
 ENERGY SUPPLY CONTACT: MR. LARRY SHANK
 PHONE: (847) 816-5465
 COMPANY: COMED

REVISIONS	
NAME	DATE

ILLINOIS DEPARTMENT OF TRANSPORTATION
 TEMPORARY CABLE PLAN AND
 TEMPORARY PHASE DESIGNATION DIAGRAM
 U.S. ROUTE 41 (SKOKIE BOULEVARD) AND GOLF ROAD
 SCALE NOT TO SCALE
 DATE 11-14-08
 DRAWN BY SAC
 DESIGNED BY SRS
 CHECKED BY KMM