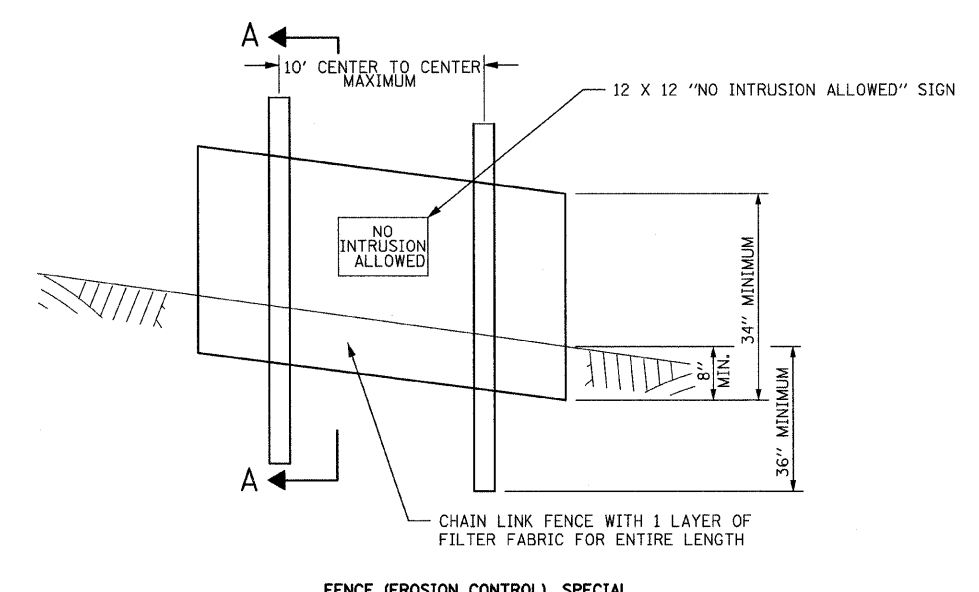


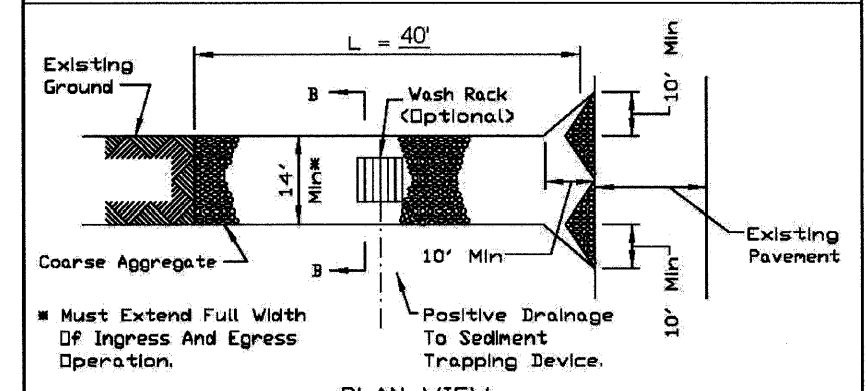
SECTION A-A



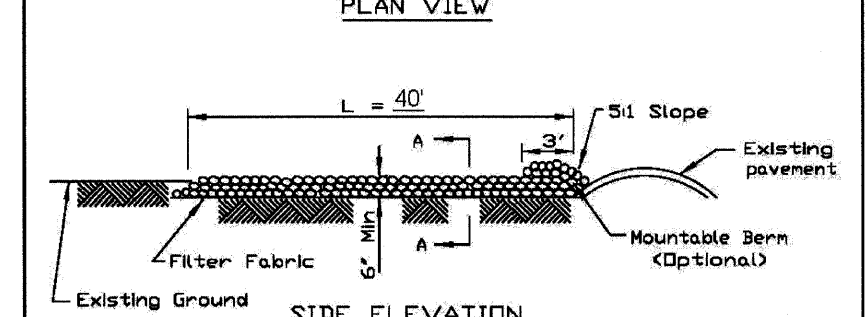
FENCE (EROSION CONTROL), SPECIAL

- FENCE (EROSION CONTROL), SPECIAL NOTES**
- FENCING SHALL BE 42" IN HEIGHT AND CONSTRUCTED IN ACCORDANCE WITH IDOT STANDARD 664001 (CHAIN LINK FENCE). THE SPECIFICATION FOR A 6' FENCE SHALL BE USED, SUBSTITUTING 42" FABRIC AND 8' LENGTH POSTS.
 - CHAIN LINK FENCE SHALL BE FASTENED SECURELY TO THE FENCE POSTS WITH WIRE TIES. THE LOWER TENSION WIRE, BRACE AND TRUSS RODS, DRIVE ANCHORS AND POST CAPS ARE NOT REQUIRED. ALL POSTS FOR FENCE EROSION CONTROL (SPECIAL) SHALL BE LINE POSTS. PULL POSTS, CORNER POSTS, HORIZONTAL BRACING AND TIE RODS ARE NOT REQUIRED.
 - SILT FILTER FABRIC SHALL BE FASTENED SECURELY TO THE CHAIN LINK FENCE WITH TIES SPACED EVERY 24" AT THE TOP AND MID SECTION.
 - SILT FILTER FABRIC AND CHAIN LINK FENCE SHALL BE EMBEDDED 8" INTO THE GROUND.
 - WHEN TWO SECTIONS OF SILT FILTER FABRIC ADJOIN EACH OTHER, THEY SHALL BE OVERLAPPED 2' HORIZONTALLY.
 - MAINTENANCE SHALL BE PERFORMED AS NEEDED. SILT BUILD-UP AGAINST FENCE SHALL BE INSPECTED AFTER EVERY STORM EVENT AND REMOVED WHEN SILT REACHES 50% OF FENCE HEIGHT.
 - SILT FILTER FABRIC SHALL CONFORM TO THE STANDARD SPECIFICATION 280.
 - FENCE (EROSION CONTROL), SPECIAL SHALL HAVE EIGHT (8) - 12" X 12" "NO INTRUSION ALLOWED" SIGNS. THE COST OF THIS SHALL BE INCLUDED AS PART OF THE UNIT COST FOR FENCE (EROSION CONTROL), SPECIAL.

STABILIZED CONSTRUCTION ENTRANCE PLAN



PLAN VIEW

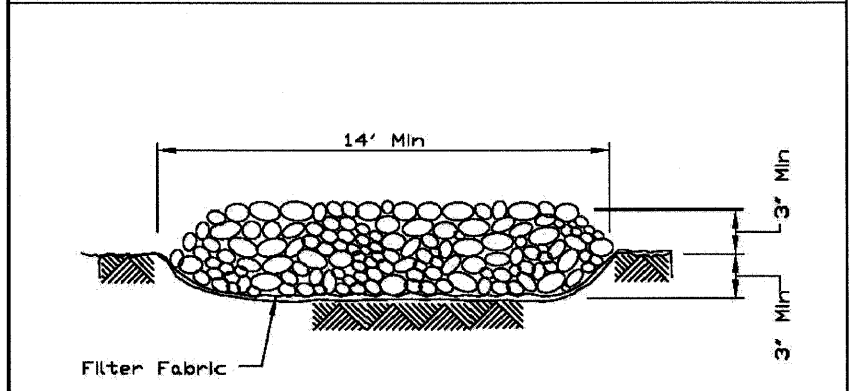


SIDE ELEVATION

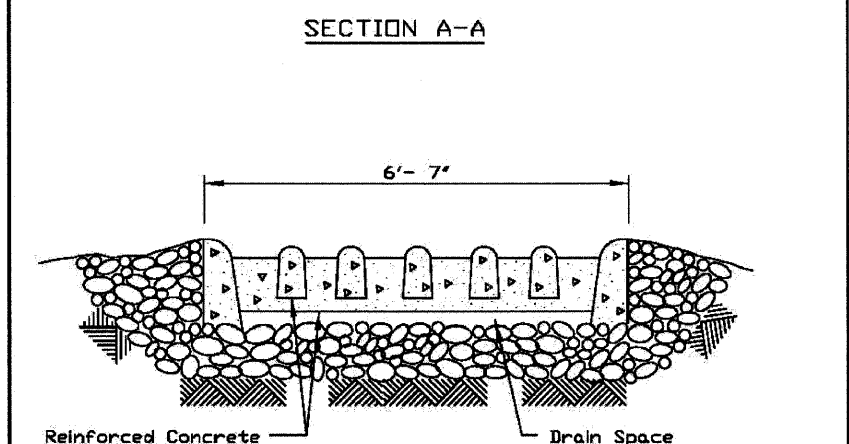
- NOTES:**
- Filter fabric shall meet the requirements of material specification 592 GEOTEXTILE, Table I or 2, Class I, II or IV and shall be placed over the cleared area prior to the placing of rock.
 - Rock or reclaimed concrete shall meet one of the following IDOT coarse aggregate gradation, CA-1, CA-2, CA-3 or CA-4 and be placed according to construction specification 25 ROCKFILL using placement Method 1 and Class III compaction.
 - Any drainage facilities required because of washing shall be constructed according to manufacturers specifications.
 - If wash racks are used they shall be installed according to the manufacturer's specifications.

REFERENCE Project _____	DATE _____	<p>STANDARD DWG. NO. IL-630 SHEET 1 OF 2 DATE 8-18-94</p>
Designed _____	Date _____	
Checked _____	Date _____	
Approved _____	Date _____	

STABILIZED CONSTRUCTION ENTRANCE PLAN



SECTION A-A



SECTION B-B

REFERENCE Project _____	DATE _____	<p>STANDARD DWG. NO. IL-630 SHEET 2 OF 2 DATE 8-18-94</p>
Designed _____	Date _____	
Checked _____	Date _____	
Approved _____	Date _____	