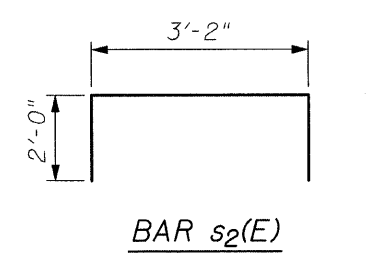
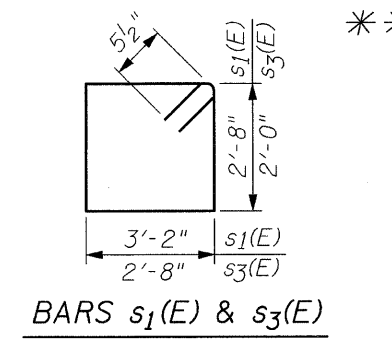
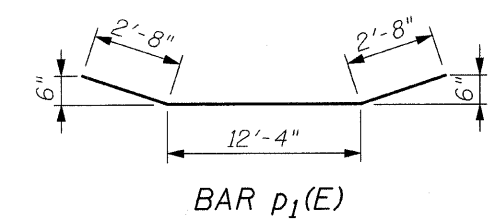
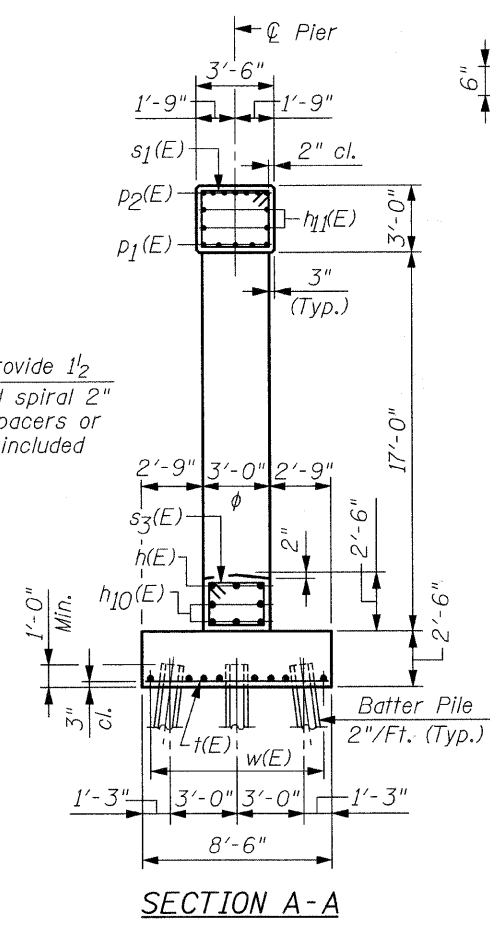
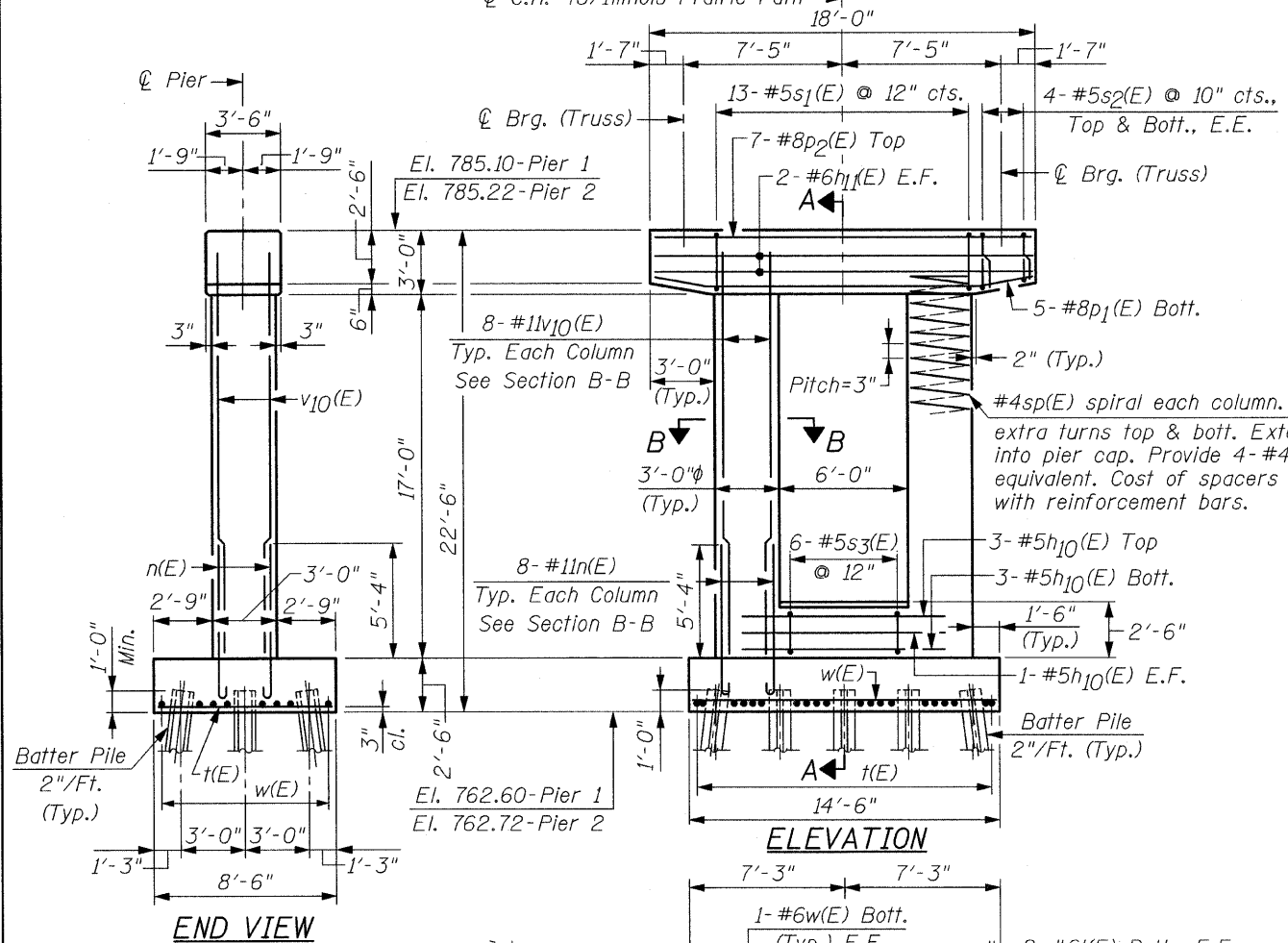
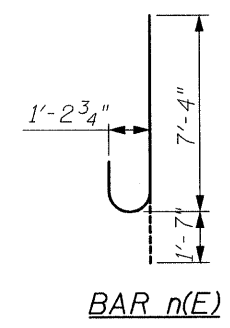


NOTE:
Space Reinforcement in cap to miss Anchor Bolts

* The Contractor shall install the Anchor Bolts in accordance with the Bridge Manufacturer's Anchor Bolts spacing dimensions



BILL OF MATERIAL (FOR ONE PIER ONLY)

Bar	No.	Size	Length	Shape
h10(E)	8	#5	9'-2"	—
h11(E)	4	#6	17'-8"	—
n(E)	16	#11	8'-11"	U
p1(E)	5	#8	17'-8"	—
p2(E)	7	#8	17'-8"	—
s1(E)	13	#5	12'-7"	□
s2(E)	16	#5	7'-2"	□
s3(E)	6	#5	10'-3"	□
sp(E)	2	#4	17'-0"	~
v10(E)	16	#11	18'-11"	—
t(E)	20	#6	8'-2"	—
w(E)	8	#6	14'-2"	—
Reinforcement Bars, Epoxy Coated		Pound	4,750	
Concrete Structures		Cu. Yd.	29.0	
Furnishing Steel Piles HP 10x42		Foot	952	
Driving Piles		Foot	952	
Test Pile HP 10x42		Each	1	
Structure Excavation		Cu. Yd.	43	
Concrete Sealer		Sq. Ft.	517	

** Actual length = 647'-9" along of Spiral

NOTES:
Concrete Sealer shall be applied to all surfaces of the Pier above footing.
For details of Piles, see Sht. S5.

PILE DATA:
Type: Steel Piles, HP 10x42
Nominal required bearing: 339 kips
Allowable resistance available: 111.6 kips
Est. Length: 68 Feet
at Pier No. 1 & Pier No. 2
No. Production Piles: 14
No. Test Piles: 1

LEGEND:
E.F. = Each Face
E.E. = Each End
= Battered Pile

