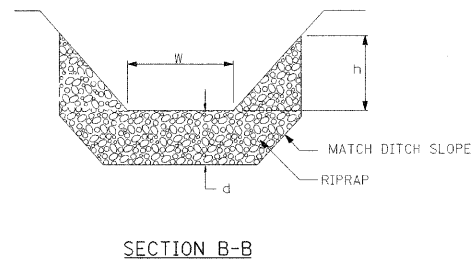
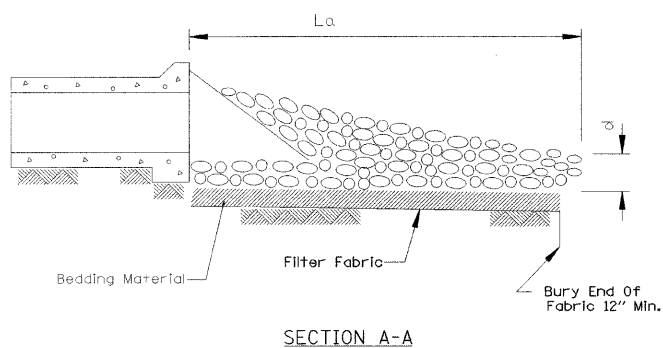
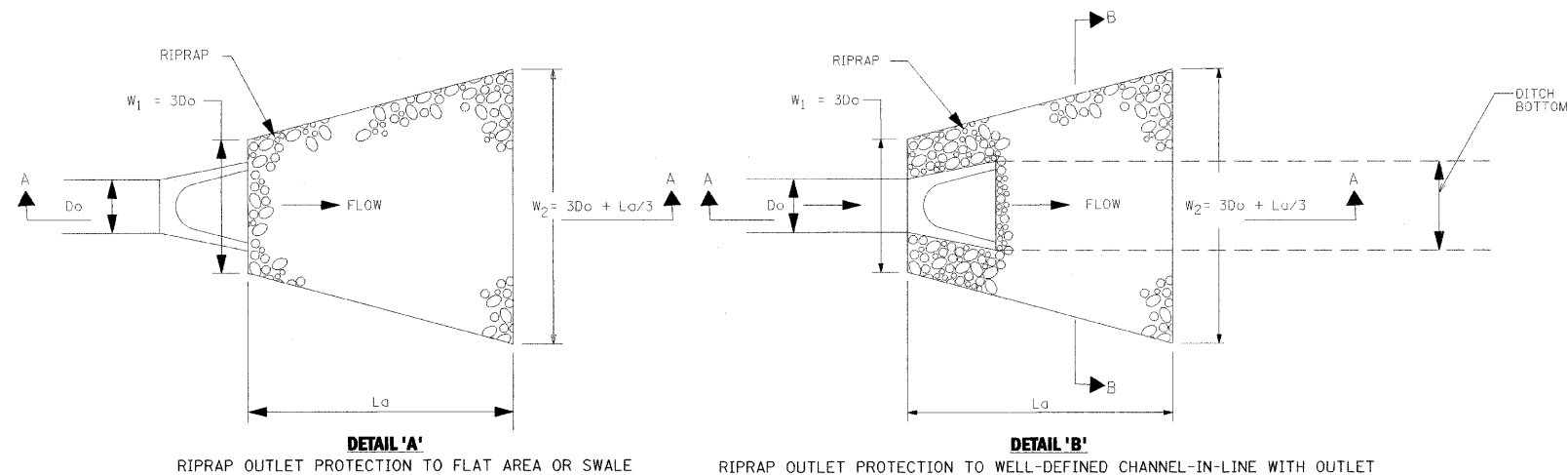


ROCK OUTLET PROTECTION

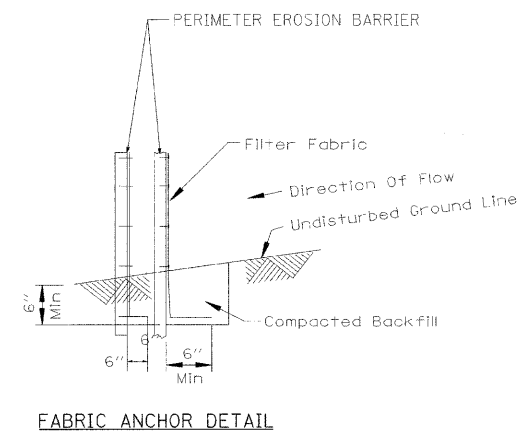
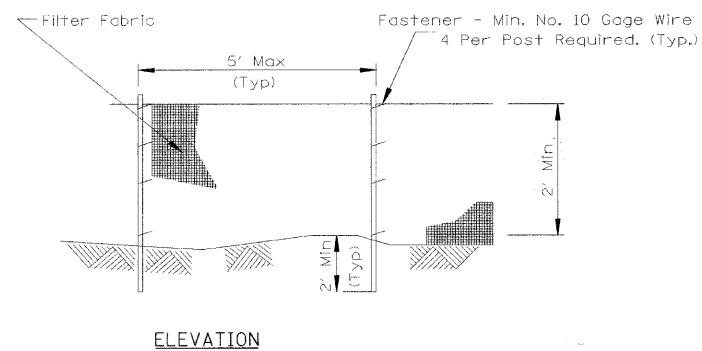


ROCK OUTLET PROTECTION TABLE

LOCATION	RIPRAP GRADATION	La (FT.)	RIPRAP (d) THICKNESS (IN)	BEDDING THICKNESS (INCH)	h RIPRAP HEIGHT (FT)	AREA (SQ YD)
R-1 (STA 107+13, 32.7' LT)	4	10	20	6	2.5	12.1
R-2 (STA 121+50, 32.2' LT)	4	16	20	6	2.1	15.0
R-3 (STA 127+89, 37.0' RT)	3	10	15	0	1.2	6.3
R-4 (STA 124+50, 30.5' LT)	4	20	20	6	1.5	18.2
R-5 (STA 124+50, 48.8' RT)	3	20	15	0	1.4	16.3

NOTES
PAID PER SQ YD FOR RIPRAP, CLASS A3 OR A4 AND PER SQ YD FOR FILTER FABRIC

SUPER SILT FENCE



DETAIL 'D'
SUPER SILT FENCE

NOTES
1. PAID PER FOOT FOR PERIMETER EROSION BARRIER.
2. EACH FOOT OF SUPER SILT FENCE EQUALS 2 FEET OF PERIMETER EROSION BARRIER.
3. THE POSTS SHALL BE A MINIMUM OF 4 FEET LONG.