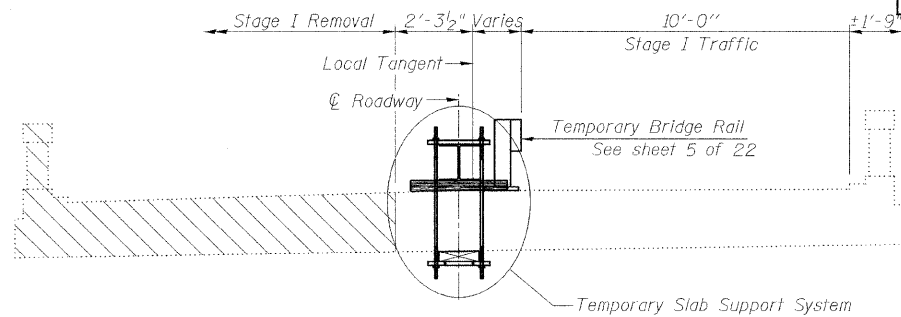
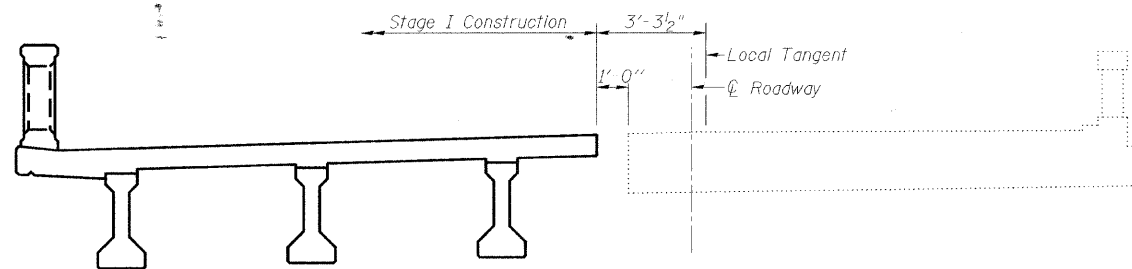


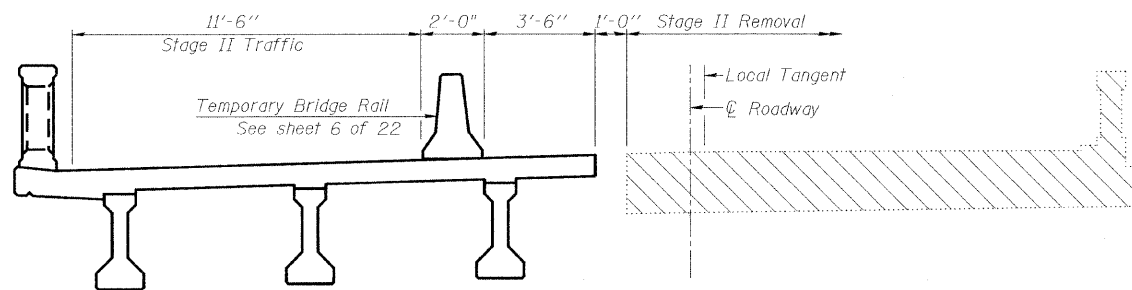
STATE OF ILLINOIS
DEPARTMENT OF TRANSPORTATION



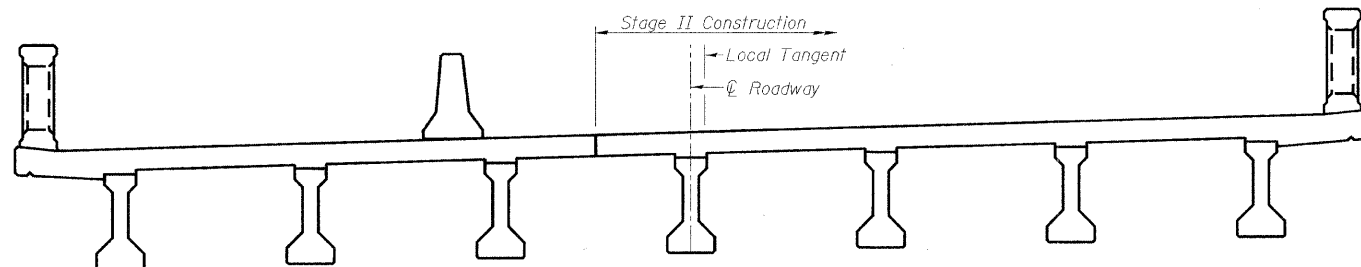
STAGE I REMOVAL



STAGE I CONSTRUCTION



STAGE II REMOVAL



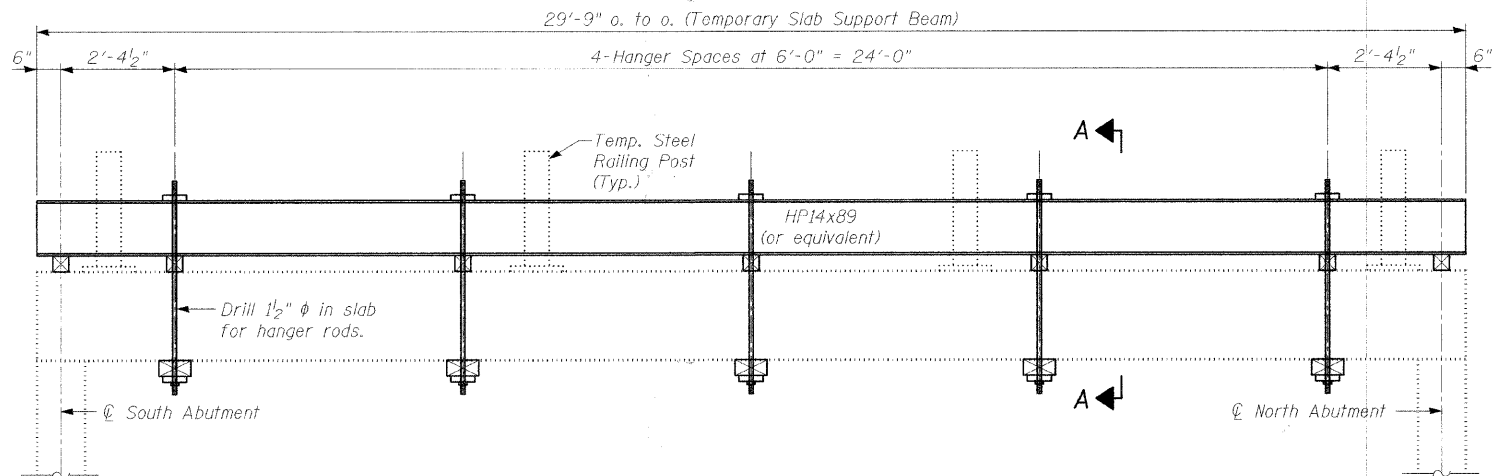
STAGE II CONSTRUCTION

DESIGNED	MDS
CHECKED	LAN
DRAWN	MDS
CHECKED	SLC

Notes:
All staging cross sections are looking North.
For quantity of Temporary Concrete Barrier, see roadway plans.
Hatched area indicates Removal of Existing Structures.

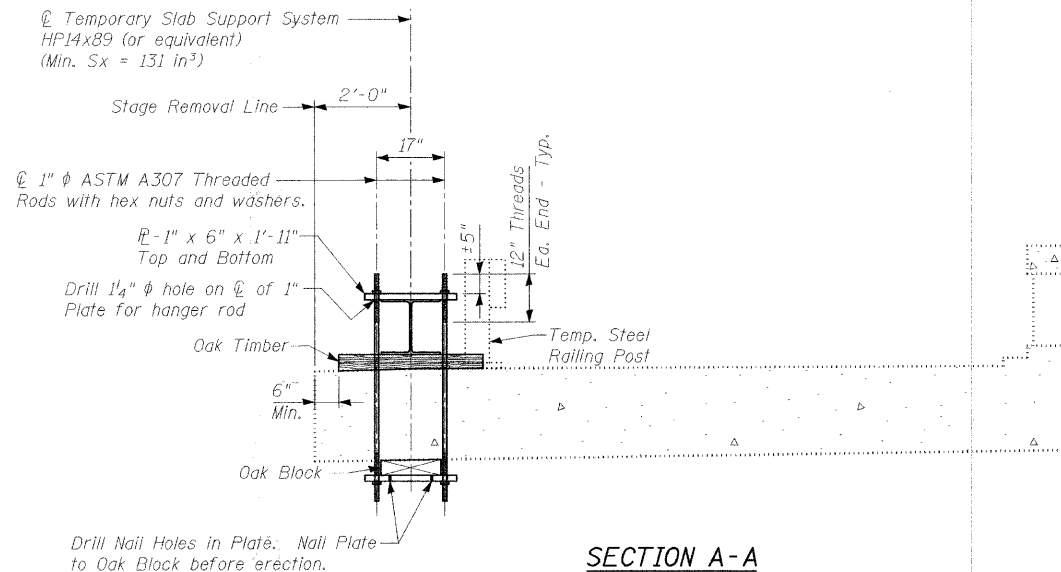
NOTES FOR CONSTRUCTION:

The Contractor shall field verify all existing dimensions and conditions prior to ordering any material and construction.
If the Contractor's construction procedures involve placement of cranes or other heavy equipment on the existing structure, a detailed procedure shall be submitted to the Engineer for approval. The submittal shall include calculations and sketches sealed by an Illinois Licensed Structural Engineer. The calculations shall verify that the heavy equipment and procedure used will not overstress the remaining half of the existing structure.
The Contractor is advised that the existing concrete structure is in a deteriorated condition with reduced load carrying capacity. It is the Contractor's responsibility to account for the condition of the structure when developing construction procedures for removal and replacement of the structure.
Install the temporary support for the existing concrete slab prior to removing any of the existing concrete slab for Stage I removal.



SUGGESTED TEMPORARY SLAB SUPPORT SYSTEM

Notes:
Support beam to be placed on wood blocks at abutments prior to putting blocks under hangers. Wood blocking under hangers to be placed after support beam deflects under its own weight. Hanger rods shall be tightened to remove any slack and obtain full bearing of bottom plate under slab prior to Stage I removal of slab.
Estimated weight of Structural Steel = 3200 lbs.
Temporary Slab Support System shall not be painted.



SECTION A-A

NOTES FOR REMOVAL AND TEMPORARY SUPPORT OF EXISTING SLAB:

The Contractor shall provide support and/or shoring systems for the concrete slab at the location indicated on the plan in order to furnish an added degree of safety. The support and/or shoring systems shall be approved by the Engineer. Such approval will not relieve the Contractor of responsibility for the safety of the structure.

**STAGE CONSTRUCTION DETAILS
STRUCTURE NO. 056-3174**

TranSystems
1051 Perimeter Drive, Suite 1025
Schaumburg, IL 60173-5058
Phone: (847) 605-9800
Fax: (847) 605-9810

SHEET NO. 4	F.A.S. RTE.	SECTION	COUNTY	TOTAL SHEETS	SHEET NO.
22 SHEETS	0026	02-00269-00-BR	McHENRY	153	96
FED. ROAD DIST. NO.			ILLINOIS FED. AID PROJECT		
			CONTRACT NO. 63212		

s:\cpl\okl 06/20/2009 11:28:32 AM - gr:\ch04\0083\structural\sheet5\staging.sht